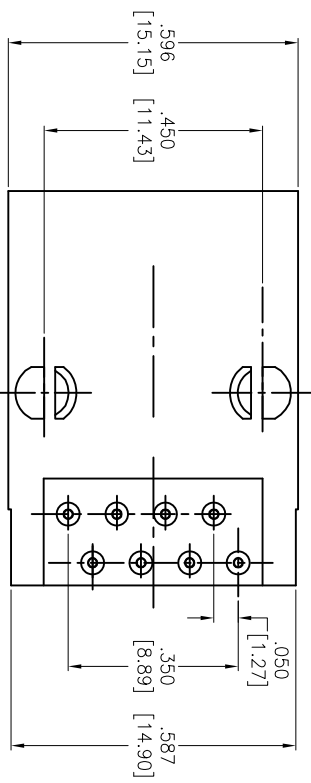
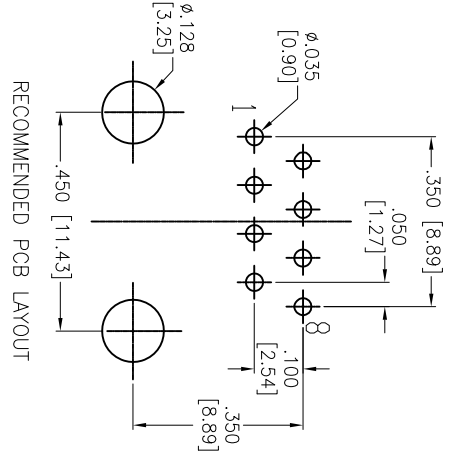
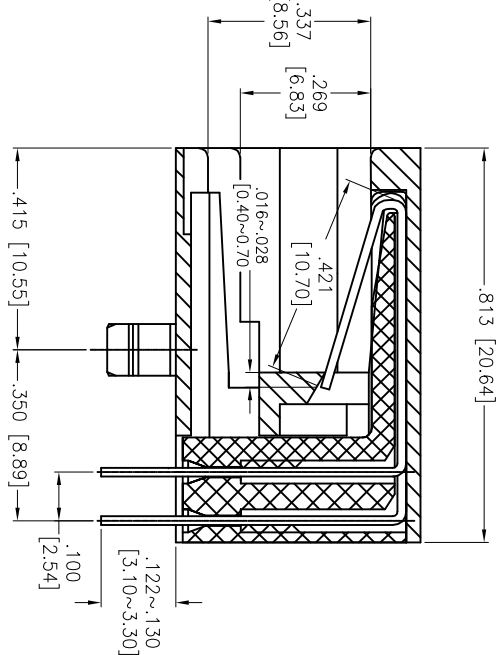
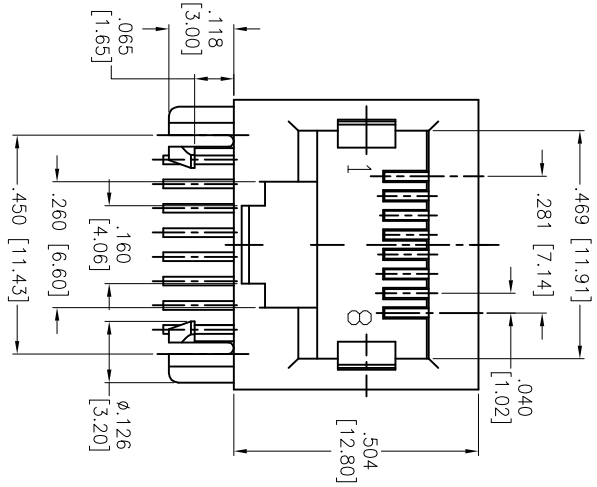


Rev	AWO #	Description	Date	Appr
-		RELEASED	10/4/04	
A		REDRAWN	9/1/14	HR/KW
B		UPDATED SPEC.	9/27/18	HR/MTY

APPROVED: _____
 DATE: _____ TITLE: _____



SPECIFICATIONS:

- Material: Insulator: PBT, rated UL 94V-0
- Insulator color: Black
- Contacts: Phosphor Bronze
- Plating: Round contact: Gold over Nickel underplate overall; Flat contact: Gold over Nickel underplate on contact area, Tin over Nickel underplate on solder tails
- Electrical: Voltage rating: 125 VAC RMS; Current rating: 1.5 Amps; Contact resistance: 20 mohms max; Insulation resistance: 1,000 Mohms min @ 500 VDC; Dielectric withstanding voltage: 1,000 VAC or 1,500 VDC RMS for 1 minute
- Temperature Rating: Operating temperature: -40°C to +85°C
- Environmental: Lead free, RoHS compliant.



UNLESS OTHERWISE SPECIFIED ALL DIMENSIONS ARE INCHES [MM]	
TOLERANCES: EXCEPT AS NOTED	
INCHES	HOLES
.X ± .10	ØXX ± .10
.XX ± .020	ØXXX ± .015
.XXX ± .015	ØXXXX ± .010
APPROVALS	DATE
DRAWN	SS
CHECKED	
APPROVED	

ADAM TECH INTERCONNECTS 909 Rahway Avenue, Union, NJ 07083
 Phone: 908-687-5000 Fax: 908-687-5710

CAT 5e, MODULAR TELEPHONE JACK, 8P8C, RIGHT ANGLE

SIZE: X PART NO.: MTJ-88TX1 REV. B

REF: S0005C SCALE: NTS SHEET 1 OF 1