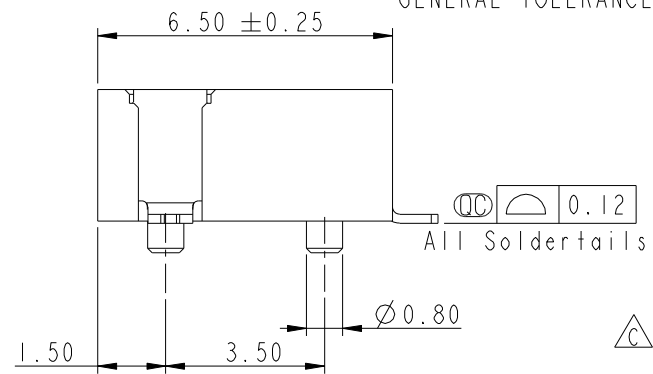
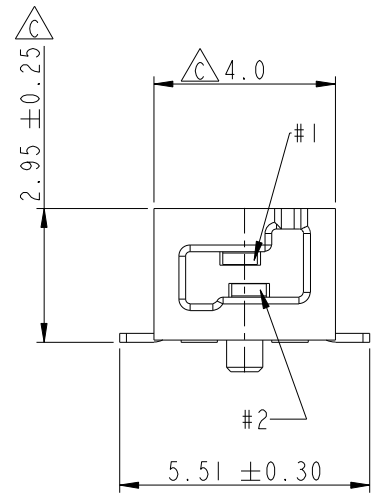
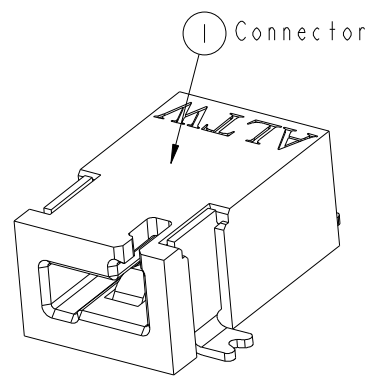
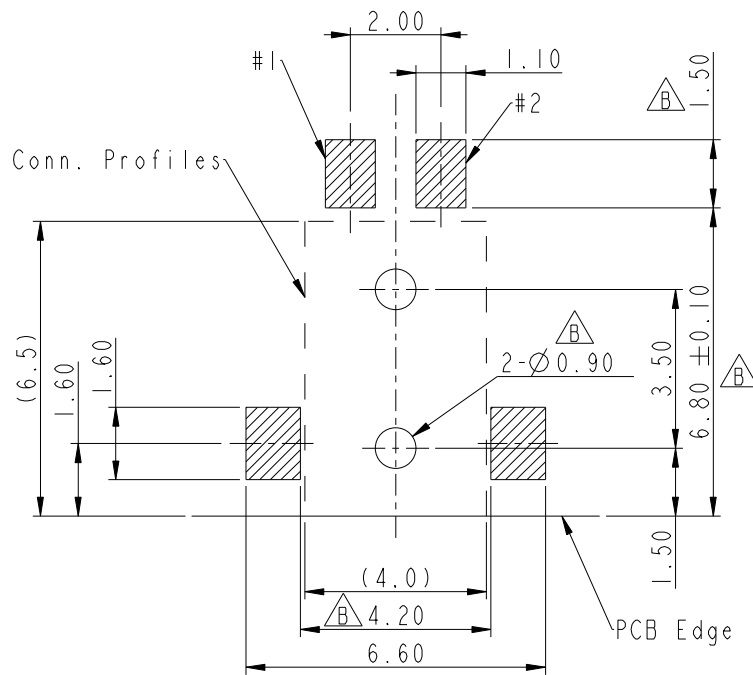
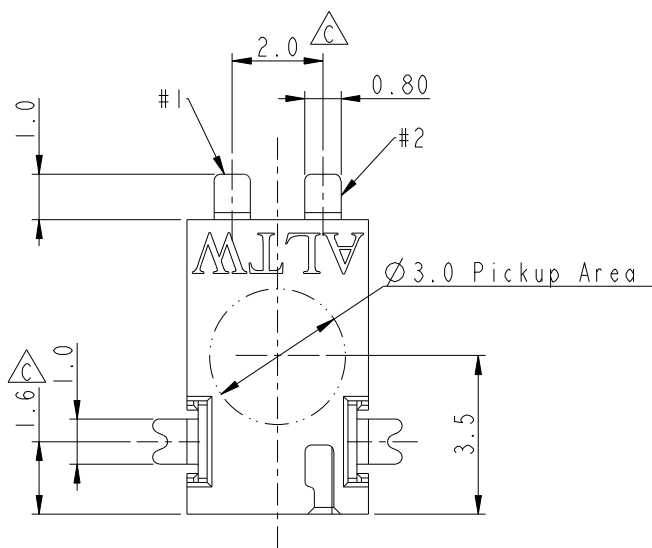
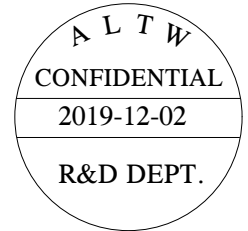


THIS DOCUMENT IS SUBJECT TO CHANGE WITHOUT NOTICE. IT IS CONFIDENTIAL AND A PROPERTY OF AMPHENOL LTW. DISCLOSURE TO THIRD PARTY HAS TO BE AUTHORIZED BY AMPHENOL LTW.

REV.	ECN NO.	DATE	SIGN	DESCRIPTION
C	LE313C0104	2013-12-16	Fisher	Change Plating and Dimensions
D	CI91496	2019-08-29	NianPing Yu	Add UL Label
E	CI92063	2019-12-02	NianPing Yu	FXI



RECOMMENDED P.C.B. LAYOUT
GENERAL TOLERANCE IS ±0.05



- Notes:
- * Important Dimension To Check.
 - * Housing: High temperature thermoplastic. UL94V-0, color is Natural white.
 - * Terminal: Copper Alloy, Gold Plated on contact area. Tin plated on solder tails.
 - * Solder Peg: Copper Alloy, Tin plated over Nickel.

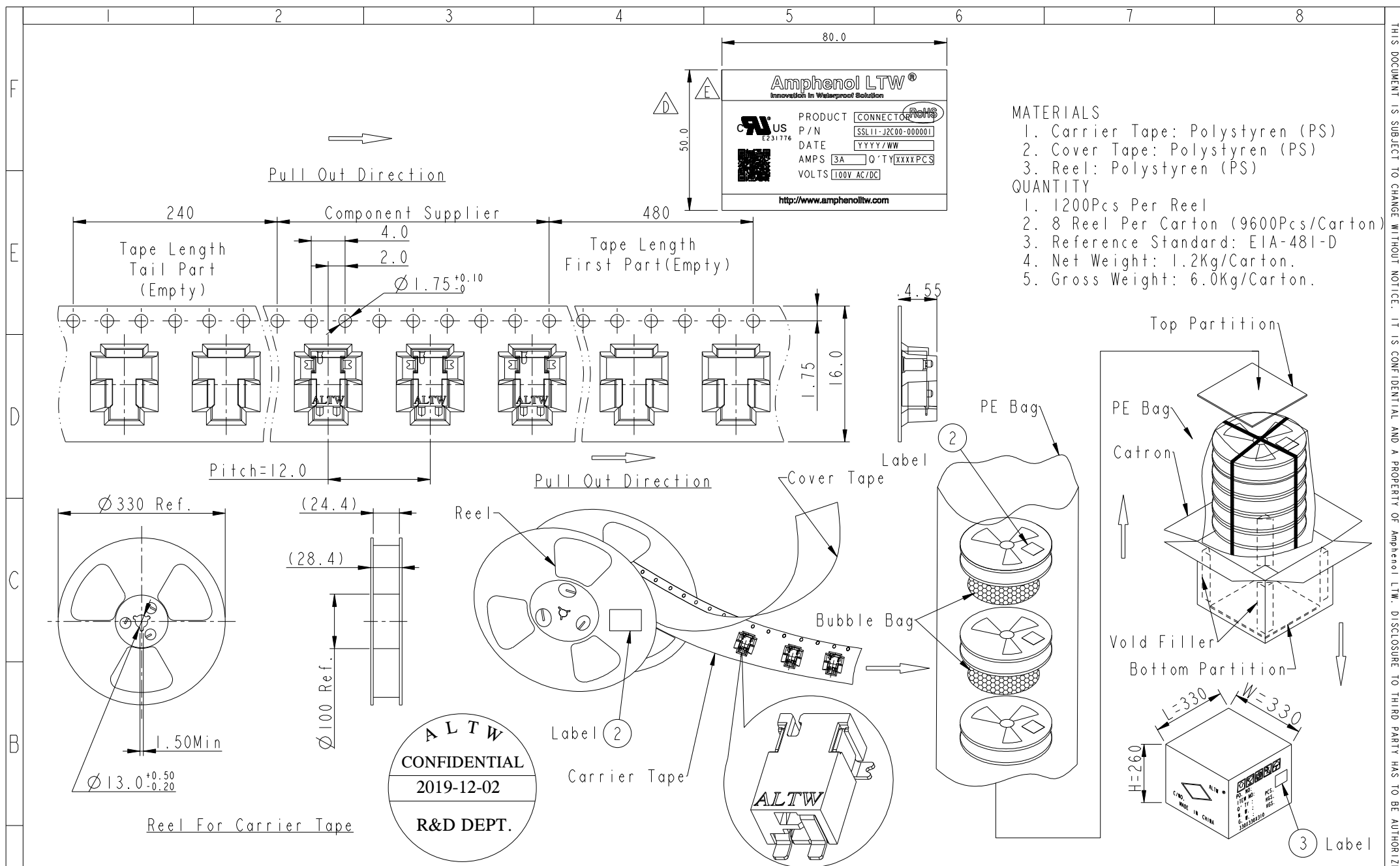
UNIT: mm		
TOLERANCE	.X ±0.25	
	.XX ±0.1	
	.XXX ±0.05	
ANGLES	±1°	

TITLE SSL-1.1 DC JACK CONNECTOR 2-POS. WITH POST, SMT TYPE			
SCALE 6:1	SIZE A4	SHEET 1 OF 2	
REV. E	WC-REV. A.2	Inspection item	

Amphenol LTW
安費諾亮泰企業股份有限公司

ITEM NO. SSL11-J2C00-000001	DRAWN BY NianPing Yu	DATE 2019-08-29
DWG NO. SSL11-J2C00-000001	CHECKED BY Fisher Wang	DATE 2019-08-29
CUSTOMER ALTW	APPROVED BY Max Yang	DATE 2019-08-29

THIS DOCUMENT IS SUBJECT TO CHANGE WITHOUT NOTICE. IT IS CONFIDENTIAL AND A PROPERTY OF Amphenol LTW. DISCLOSURE TO THIRD PARTY HAS TO BE AUTHORIZED BY Amphenol LTW.



- MATERIALS**
1. Carrier Tape: Polystyren (PS)
 2. Cover Tape: Polystyren (PS)
 3. Reel: Polystyren (PS)
- QUANTITY**
1. 1200Pcs Per Reel
 2. 8 Reel Per Carton (9600Pcs/Carton)
 3. Reference Standard: EIA-481-D
 4. Net Weight: 1.2Kg/Carton.
 5. Gross Weight: 6.0Kg/Carton.

ALTW
CONFIDENTIAL
 2019-12-02
R&D DEPT.

UNIT:mm TOLERANCE .X ±0.25 .XX ±0.1 .XXX ±0.05 ANGLES ±1°		TITLE SSL-1.1 DC JACK CONNECTOR 2-POS. WITH POST, SMT TYPE		Amphenol LTW 安費諾亮泰企業股份有限公司	ITEM NO SSL11-J2C00-000001	DRAWN BY NianPing Yu	DATE 2019-08-29
		SCALE 5:1	SIZE A4		SHEET 2 OF 2	DWG NO SSL11-J2C00-000001	CHECKED BY Fisher Wang
		REV. E	WC-REV. A.8	Inspection item	CUSTOMER ALTW	APPROVED BY Max Yang	DATE 2019-08-29