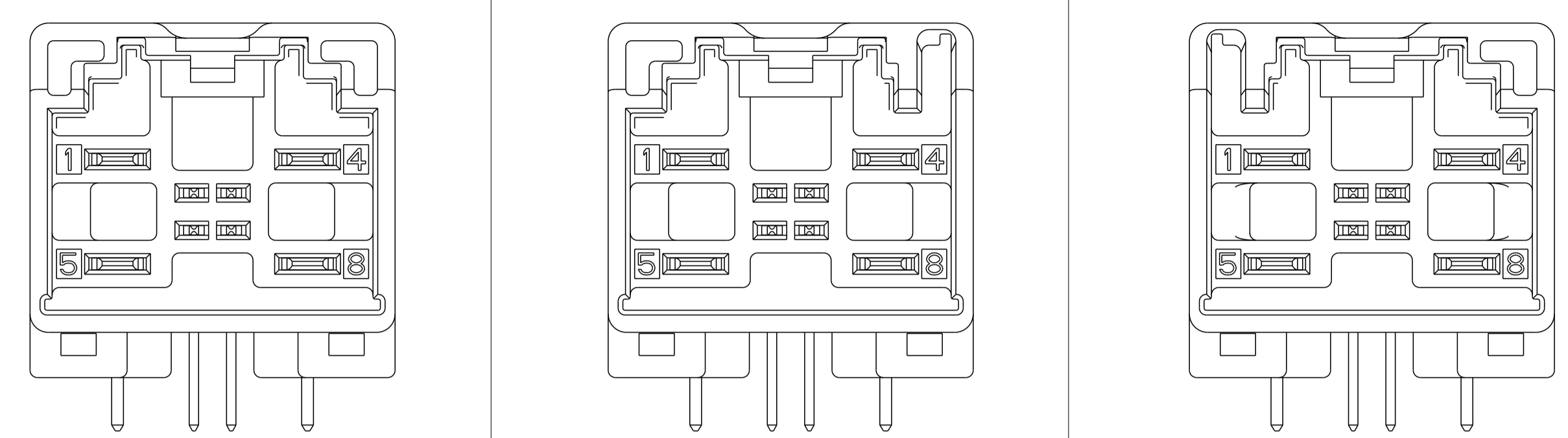


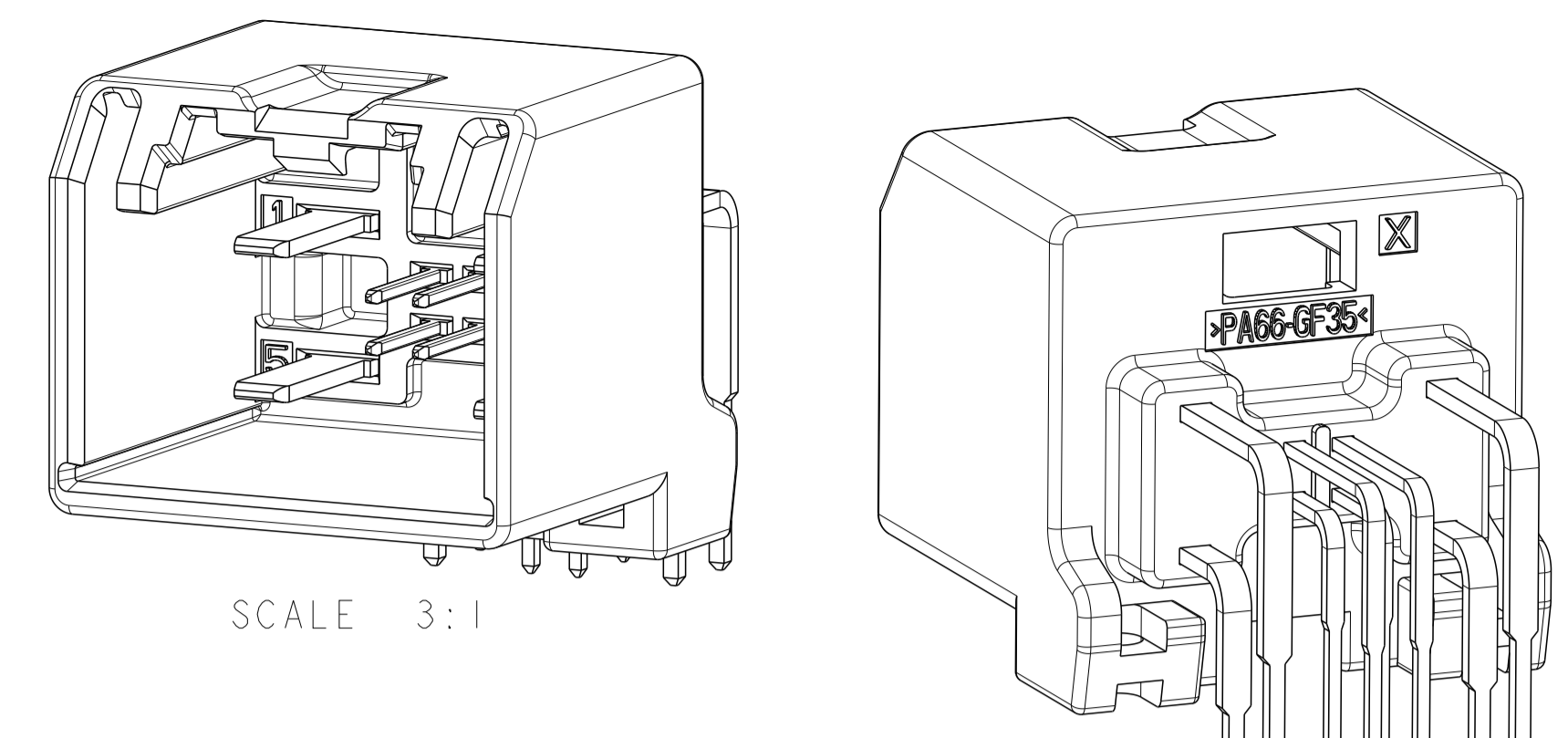
LOC	DIST	REVISIONS			
P	LTN	DESCRIPTION	DATE	DMN	APVD
B1		REVISED PER ECO-11-011498	06JUN2011	DLD	CJS
B2		REVISED PER ECO-12-003852	27FEB2012	DLD	CJS
B3		REVISED PER ECO-13-000026	07JAN2013	DLD	CJS
B4		REV PER ECN-22-163339	20JUL2022	SMR	CS



1456468-2
KEYING OPTION "B"
SCALE 3:1

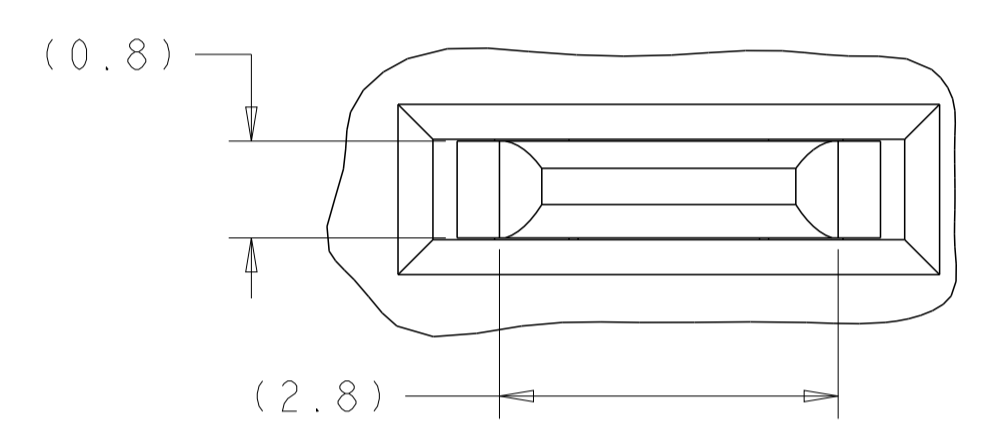
1456468-3
KEYING OPTION "C"
SCALE 3:1

1456468-4
KEYING OPTION "D"
SCALE 3:1

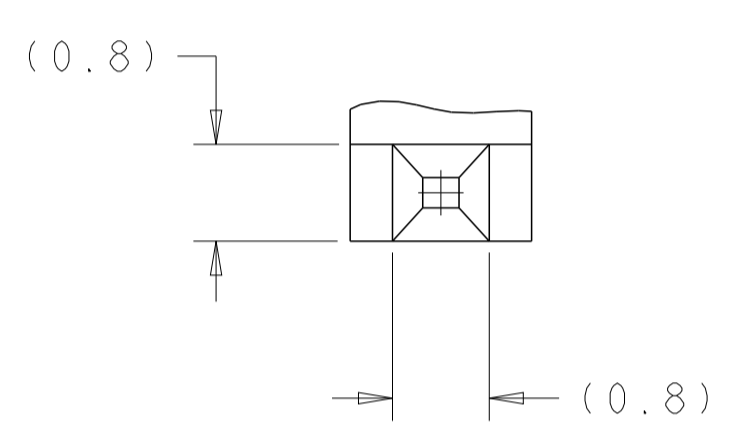


SCALE 3:1

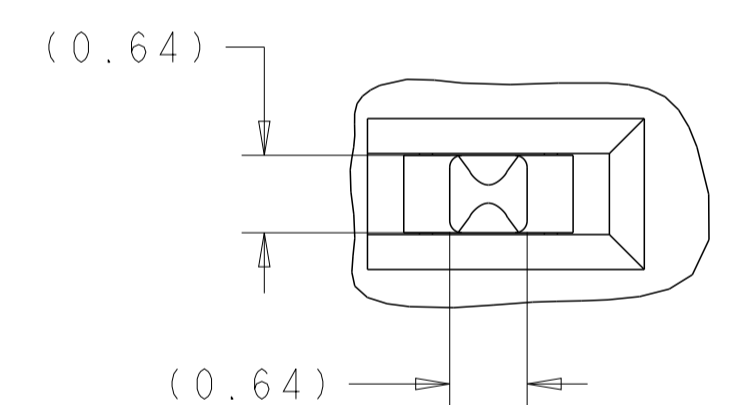
SCALE 3:1



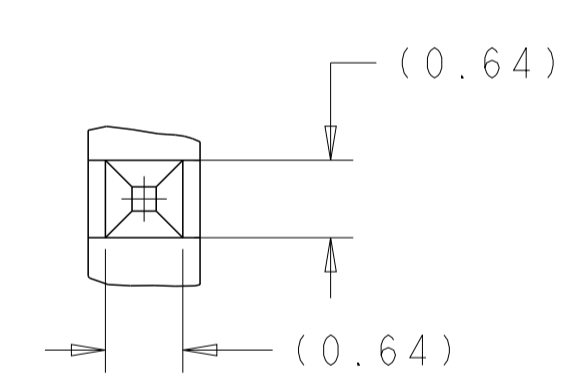
DETAIL H
TYP 4 PLACES
SCALE 16:1



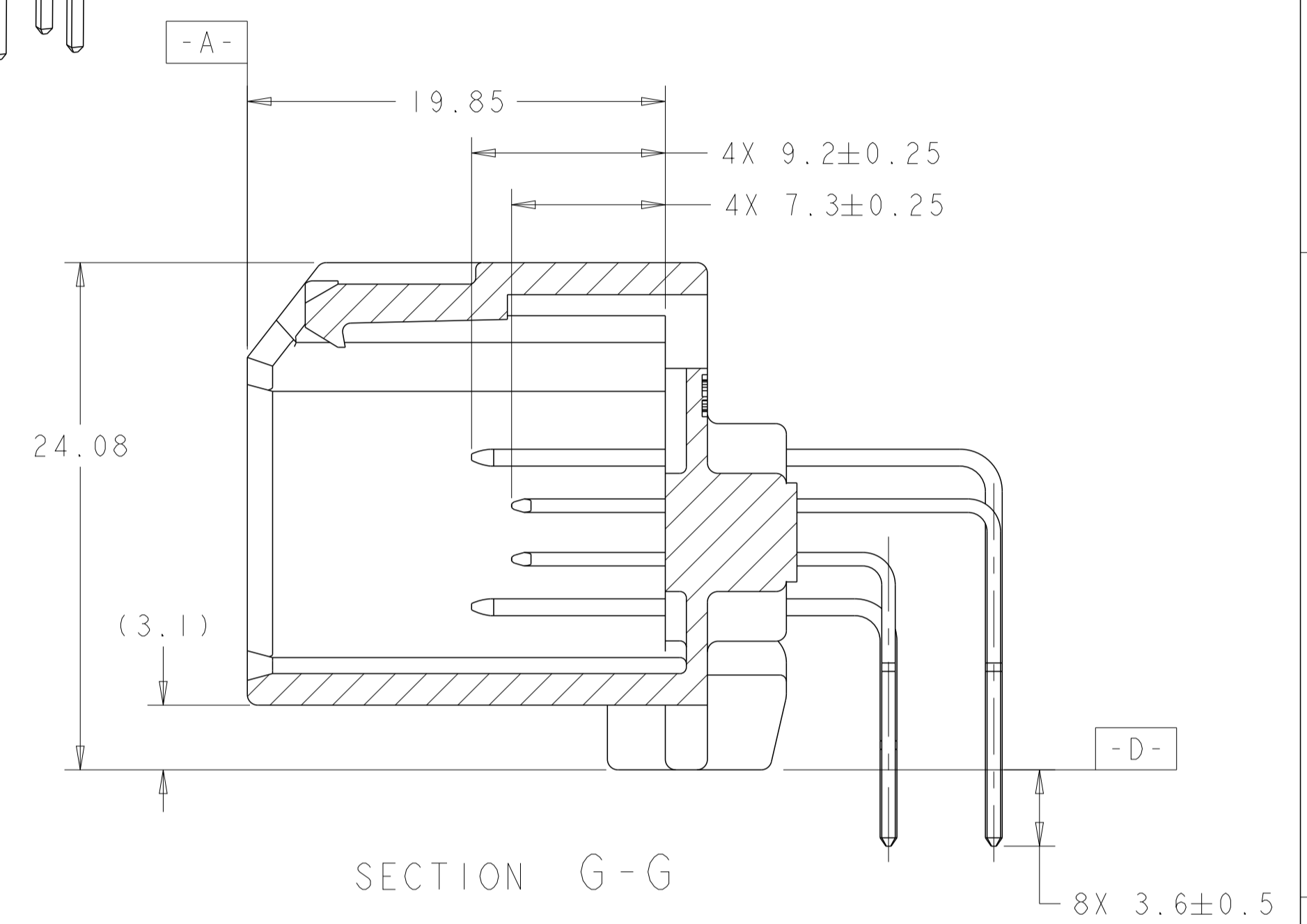
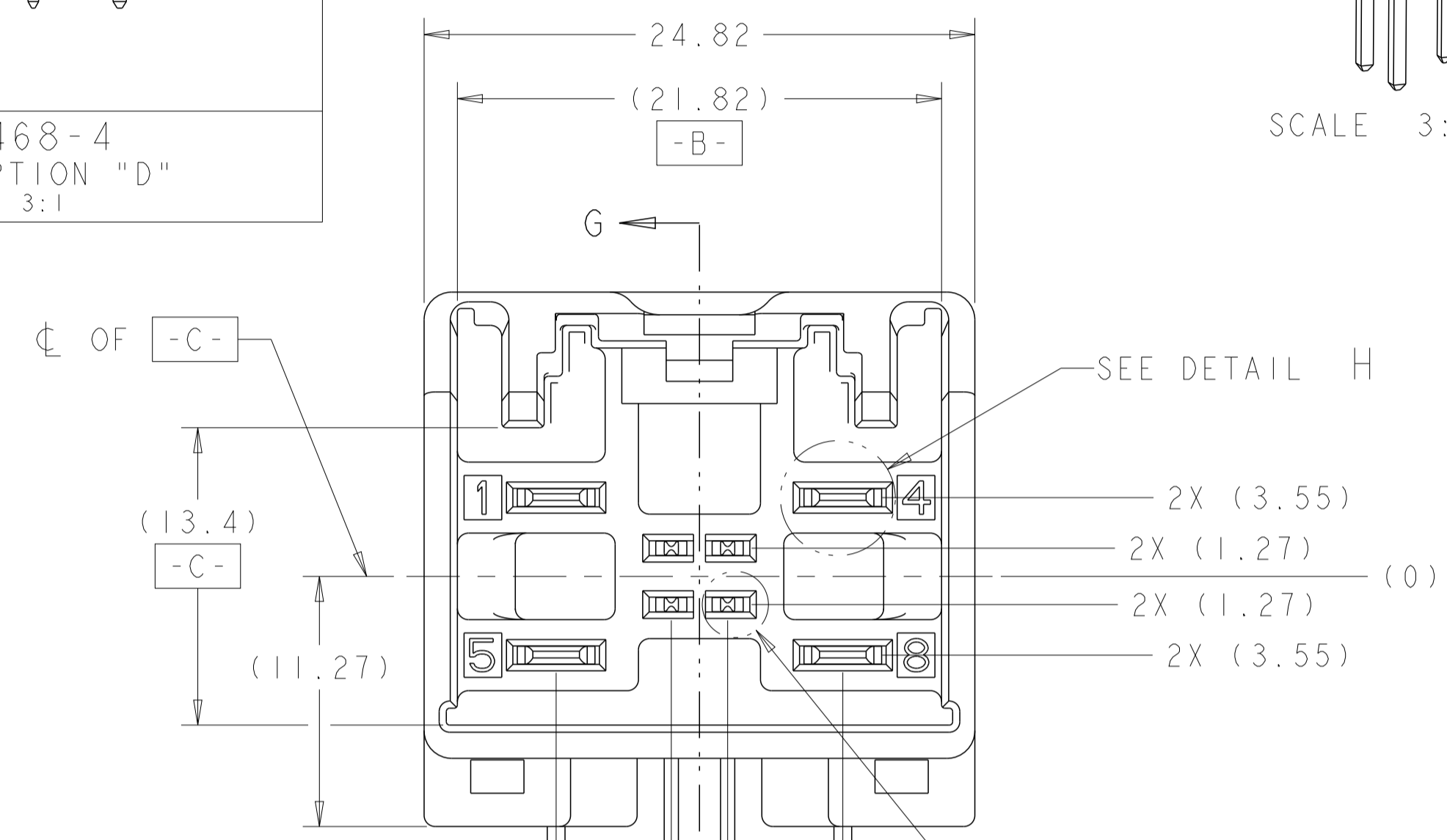
DETAIL K
TYP 4 PLACES
SCALE 16:1



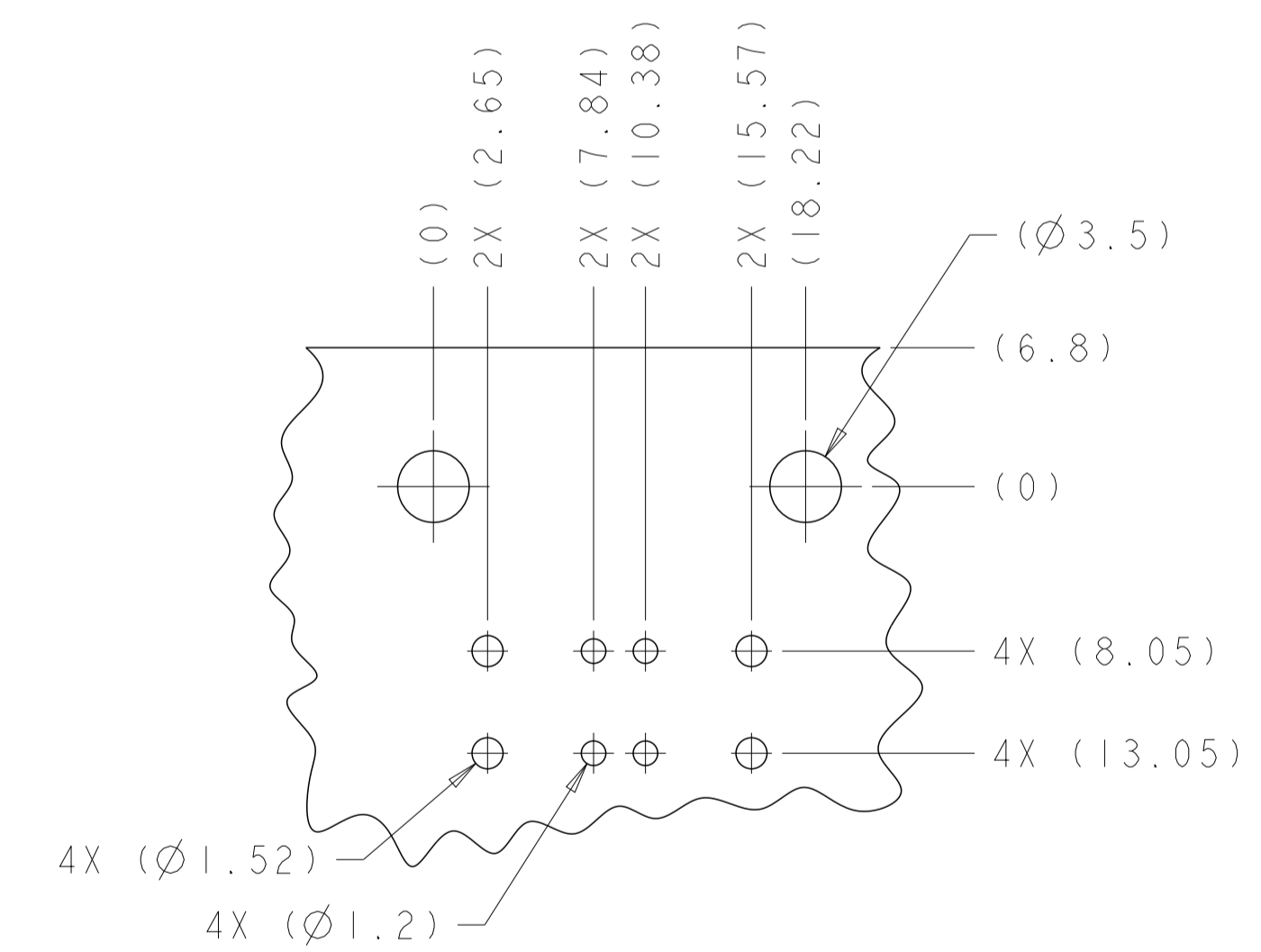
DETAIL J
TYP 4 PLACES
SCALE 16:1



DETAIL L
TYP 4 PLACES
SCALE 16:1

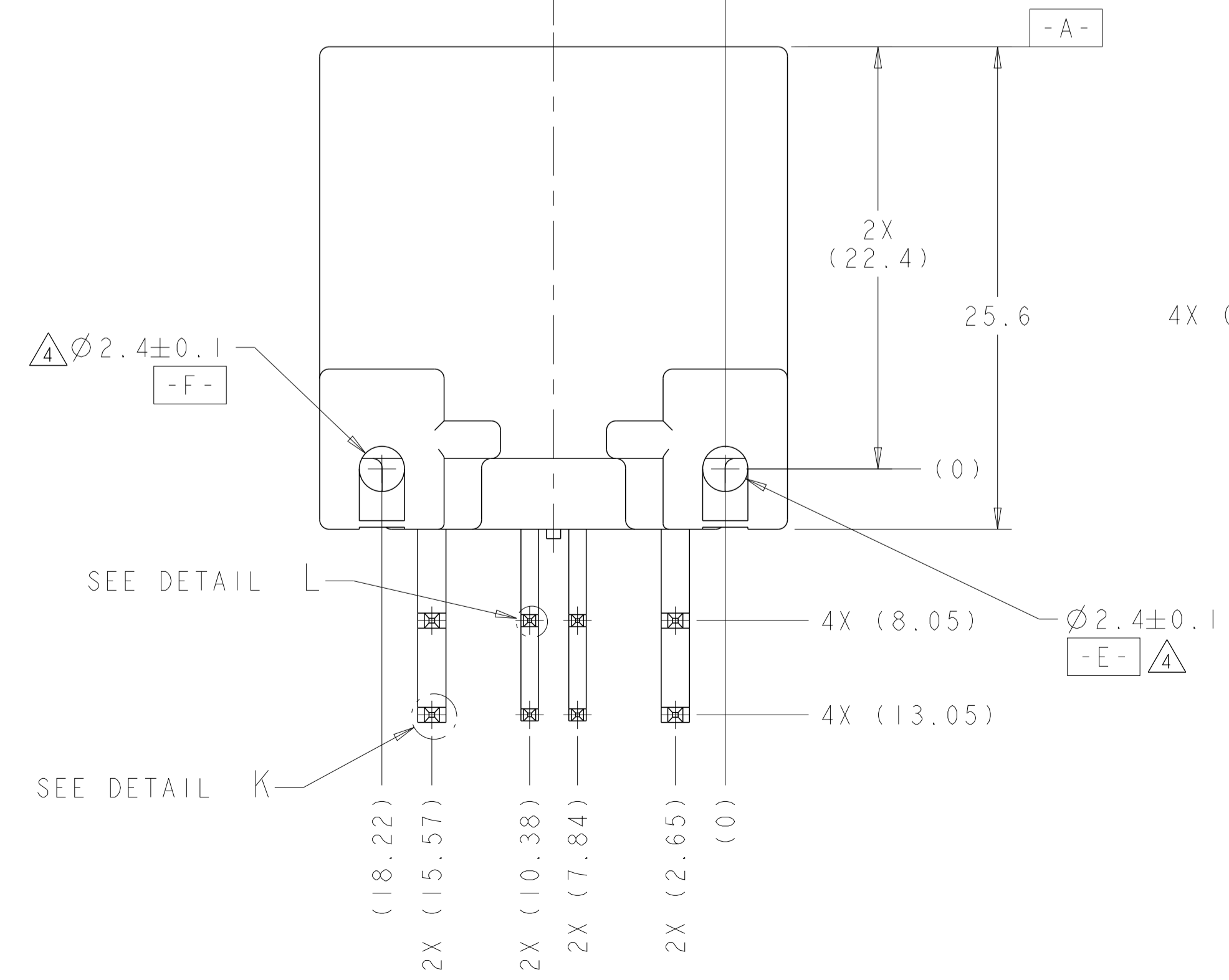


SECTION G-G



PCB LAYOUT
CONNECTOR SIDE
(RECOMMENDED BOARD THICKNESS 1.57mm)
SCALE 3:1

- MATERIAL:
HOUSING: NYLON 35% GLASS FILLED, COLOR - SEE TABLE
CONTACTS:
0.64 PINS: BRASS
2.8 BLADE: BRASS
- PLATING:
0.64 PINS: 2.00µm MIN NICKEL UNDERPLATING ALL OVER
MATING END: 0.8µm MIN POST PLATED TIN
SOLDER TAIL: 2.5µm MIN POST PLATED TIN
2.8 BLADE: 2.00µm MIN NICKEL UNDERPLATING ALL OVER
MATING END: 0.8µm-1.6µm POST PLATED TIN
SOLDER TAIL: 3.8µm-6.4µm POST PLATED TIN
- PART NUMBER 1456468-1. KEYING OPTION "A" SHOWN IN MAIN VIEWS.
- M3X5 SELF TAPPING SCREW RECOMMENDED FOR BOARD ATTACHMENT.
- MATING PLUG TE PART NUMBER: 1456471



KEYING OPTION	COLOR	TE PART NUMBER
D	GRAY	1456468-4
C	BLACK	1456468-3
B	GRAY	1456468-2
A	BLACK	1456468-1

THIS DRAWING IS A CONTROLLED DOCUMENT.		DMN: HITCHCOCK 24AUG2006	 TE Connectivity
DIMENSIONS: mm		CHK: A. VASBINDER 24AUG2006	
TOLERANCES UNLESS OTHERWISE SPECIFIED:		APVD: A. VASBINDER 24AUG2006	NAME: HEADER ASSEMBLY, 8-WAY UNSEALED HYBRID (4-0.64mm, 4-2.8mm)
0 PLC ±0.3 1 PLC ±0.3 2 PLC ±0.3 3 PLC ±0.3 4 PLC ±0.3 ANGLES ±1°		PRODUCT SPEC: 108-2400	
MATERIAL: SEE NOTES		FINISH: SEE NOTES	APPLICATION SPEC: 108-2400
WEIGHT: SEE NOTES		REVISIONS: A1 00779	RESTRICTED TO: B4
CUSTOMER DRAWING		SCALE: 4:1	SHEET 1 OF 1