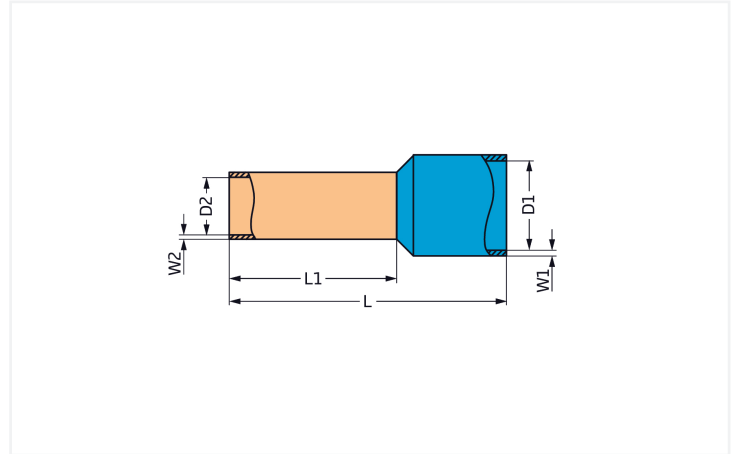


## Data Sheet | Item Number: 216-241

Ferrule; Sleeve for 0.5 mm<sup>2</sup> / 20 AWG; insulated; electro-tin plated; electrolytic copper; gastight crimped; acc. to DIN 46228, Part 4/09.90; white

<https://www.wago.com/216-241>



Color: ■ white

Similar to illustration

Dimensions in mm

### Connection Data

Metric cross-section of the ferrule	0.5 mm <sup>2</sup>
Strip length	12 ... 13 mm / 0.47 ... 0.51 inches
Cross-section (AWG) of ferrule	20 AWG

### Physical data

Total length	16 mm
Wall thickness of crimp sleeve	0.15 mm
Wall thickness (plastic collar)	0.25 mm
Crimp length (length of sleeve)	10 mm
Inner diameter of plastic collar	2.6 mm
Diameter crimp sleeve inside	1 mm

### Mechanical data

Plastic collar	Standard collar
Suitable	2001 – 2002 Series

### Material data

Color	white
Fire load	0.001 MJ
Weight	0.1 g

**Commercial data**

Product Group	2 (Terminal Block Accessories)
PU (SPU)	1000 pcs
Packaging type	Box
Country of origin	DE
GTIN	4044918016315
Customs tariff number	85369010000

**Product Classification**

UNSPSC	39121405
eCl@ss 10.0	27-40-02-01
eCl@ss 9.0	27-40-02-01
ETIM 9.0	EC000005
ETIM 10.0	EC000005
ECCN	NO US CLASSIFICATION

**Environmental Product Compliance**

RoHS Compliance Status	Compliant, No Exemption
------------------------	-------------------------

**Downloads**

**Environmental Product Compliance**

**Compliance Search**

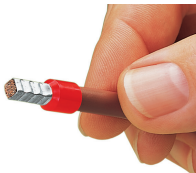
Environmental Product Compliance 216-241	↓
--	---

**Documentation**

**Bid Text**

216-241	19.02.2019	xml 2.80 KB	↓
216-241	11.09.2017	doc 23.50 KB	↓

**Installation Notes**



A perfect gas-tight crimp – both electrically and mechanically reliable

Subject to changes. Please also observe the further product documentation!

Current addresses can be found at: [www.wago.com](http://www.wago.com)