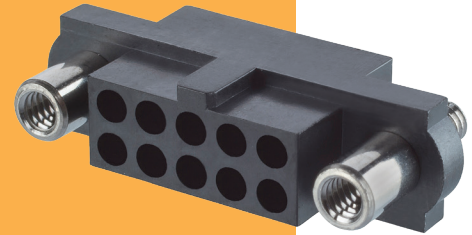


# Datamate J-Tek Connectors

## Female Crimp Housing - Reverse Fix

- Compatible with all female signal barrel crimp contacts, including T-Contact shown on previous page.
- Use insertion tool to insert crimped contacts into rear of connector housing: **order code Z80-280**.
- Jackscrows are supplied already assembled to housing.
- Connectors mate with Datamate J-Tek male connectors with compatible Reverse Fix jackscrows.

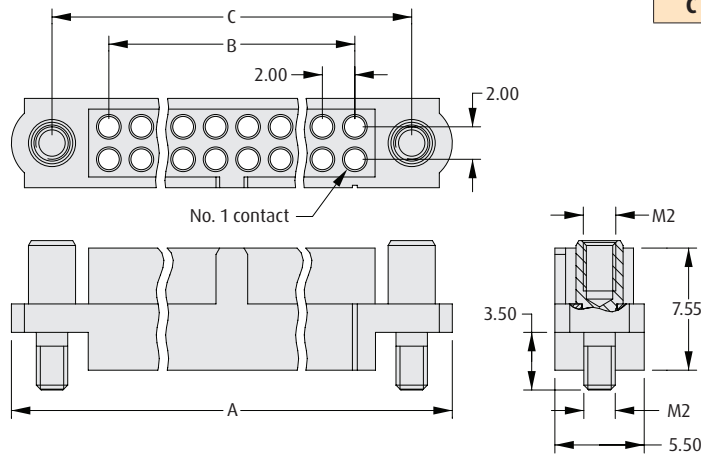


DATAMATE J-TEK

### REVERSE FIX JACKSCREWS

### CALCULATION

<b>A</b>	B + 12
<b>B</b>	Total no. of contacts - 2
<b>C</b>	B + 7



### HOW TO ORDER

**M80 - 41 5 XX 98**

SERIES CODE

JACKSCREW TYPE

5

Reverse Fix Jackscrew

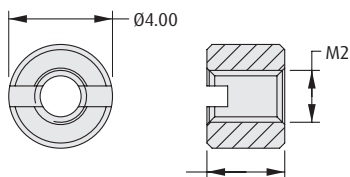
TOTAL NO. OF CONTACTS

04 to 50 (Even numbers only)

### HARDWARE FOR PANEL MOUNT STUD

Order separately from connector

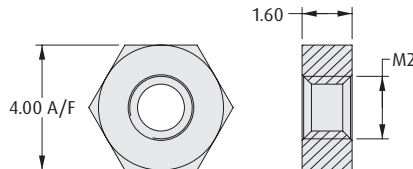
#### Slotted Board Mount Nut



ORDER CODE

M80-2130000B

#### Hexagonal Board Mount Nut



ORDER CODE

M80-2430000B

All dimensions in mm.