

This document is the property of Amphenol Corporation and is delivered on the express condition that is not to be disclosed, reproduced or used, in whole or in part, for manufacture or sale by anyone other than Amphenol Corporation without its prior consent, and that no right is granted to disclose or to use any information in this document.

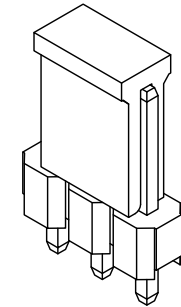
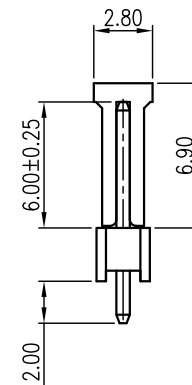
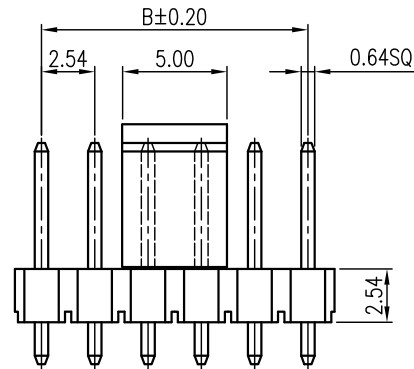
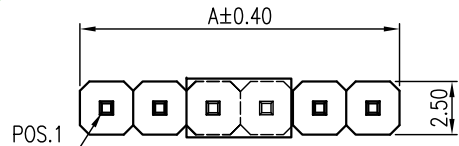
The marking on this product doesn't contain environmental hazardous materials per directive 2011/65/EU & 2015/863/EU for RoHS compliant and per IEC 61249-2-21 for Halogen-Free compliant.



ORIGINAL



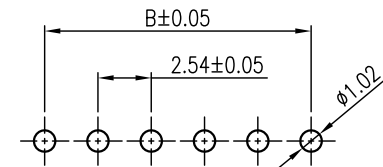
REVISIONS				
SYM	ECN No.	DESCRIPTION	DATE	APPROVED
A	NE-18067	RELEASE REVISION	05/09/2018	Roger Tsai
B	NE-19178	ADDED CAP DIM. OPTION	10/23/2019	Roger Tsai
C	NE-21171	ADDED OTHER POS. PKG/ADDED SHEET4 PKG	07/07/2022	Roger Tsai



G800 LT 268 XXX TSHR	1 x 40 = 40	101.60	99.06
G800 LT 269 XXX TSHR	1 x 39 = 39	99.06	96.52
G800 LT 270 XXX TSHR	1 x 38 = 38	96.52	93.98
G800 LT 271 XXX TSHR	1 x 37 = 37	93.98	91.44
G800 LT 272 XXX TSHR	1 x 36 = 36	91.44	88.90
G800 LT 273 XXX TSHR	1 x 35 = 35	88.90	86.36
G800 LT 274 XXX TSHR	1 x 34 = 34	86.36	83.82
G800 LT 275 XXX TSHR	1 x 33 = 33	83.82	81.28
G800 LT 276 XXX TSHR	1 x 32 = 32	81.28	78.74
G800 LT 277 XXX TSHR	1 x 31 = 31	78.74	76.20
G800 LT 278 XXX TSHR	1 x 30 = 30	76.20	73.66
G800 LT 279 XXX TSHR	1 x 29 = 29	73.66	71.12
G800 LT 280 XXX TSHR	1 x 28 = 28	71.12	68.58
G800 LT 281 XXX TSHR	1 x 27 = 27	68.58	66.04
G800 LT 282 XXX TSHR	1 x 26 = 26	66.04	63.50
G800 LT 283 XXX TSHR	1 x 25 = 25	63.50	60.96
G800 LT 284 XXX TSHR	1 x 24 = 24	60.96	58.42
G800 LT 285 XXX TSHR	1 x 23 = 23	58.42	55.88
G800 LT 286 XXX TSHR	1 x 22 = 22	55.88	53.34
G800 LT 287 XXX TSHR	1 x 21 = 21	53.34	50.80
G800 LT 288 XXX TSHR	1 x 20 = 20	50.80	48.26
G800 LT 289 XXX TSHR	1 x 19 = 19	48.26	45.72
G800 LT 290 XXX TSHR	1 x 18 = 18	45.72	43.18
G800 LT 291 XXX TSHR	1 x 17 = 17	43.18	40.64
G800 LT 292 XXX TSHR	1 x 16 = 16	40.64	38.10
G800 LT 293 XXX TSHR	1 x 15 = 15	38.10	35.56
G800 LT 294 XXX TSHR	1 x 14 = 14	35.56	33.02
G800 LT 295 XXX TSHR	1 x 13 = 13	33.02	30.48
G800 LT 296 XXX TSHR	1 x 12 = 12	30.48	27.94
G800 LT 297 XXX TSHR	1 x 11 = 11	27.94	25.40
G800 LT 298 XXX TSHR	1 x 10 = 10	25.40	22.86
G800 LT 299 XXX TSHR	1 x 9 = 9	22.86	20.32
G800 LT 300 XXX TSHR	1 x 8 = 8	20.32	17.78
G800 LT 301 XXX TSHR	1 x 7 = 7	17.78	15.24
G800 LT 302 XXX TSHR	1 x 6 = 6	15.24	12.70
G800 LT 303 XXX TSHR	1 x 5 = 5	12.70	10.16
G800 LT 304 XXX TSHR	1 x 4 = 4	10.16	7.62
G800 LT 305 XXX TSHR	1 x 3 = 3	7.62	5.08
G800 LT 306 XXX TSHR	1 x 2 = 2	5.08	2.54
PART NUMBER	NO. OF POS.	A	B

NOTES:

- INSULATOR: LCP, UL 94V-0, COLOR-BLACK
- CONTACT: COPPER ALLOY, "XXX"- PIN CONTACT/SOLDER AREA PLATING  
 "005"- 15μ" GOLD/GOLD FLASH  
 "010"- 30μ" GOLD/GOLD FLASH  
 "018"- GOLD FLASH/GOLD FLASH  
 "025"- 5μ" GOLD/GOLD FLASH  
 "032"- 100μ" MATTE TIN/100μ" MATTE TIN  
 SOLDER AREA: GOLD FLASH PLATING MIN.;  
 UNDER 50μ" NICKEL PLATING MIN. OVERALL.
- THIS PRODUCT DOESN'T CONTAIN ENVIRONMENTAL HAZARDOUS MATERIALS PER DIRECTIVE 2011/65/EU & 2015/863/EU FOR RoHS. AND PER IEC 61249-2-21 FOR HALOGEN-FREE COMPLIANT.
- PACKING IS PER AMTA PACKING SPECIFICATION PKS-0001
- PRODUCT SPECIFICATION REFER TO : PS-7501.



RECOMMENDED PCB LAYOUT  
ALL TOLERANCE ARE ±0.05

TOLERANCE		APPROVALS		DATE	TITLE		Amphenol®				
X.		DRAWN	Aqua Chou	07/07/2022	G800 SERIES, PCB HEADER		Amphenol Corporation				
X.X	±0.30	CHECKED	Joseph Jiang	07/07/2022	2.54 MM PITCH STRAIGHT		Amphenol Taiwan Corporation				
X.XX	±0.20	APPROVED	Roger Tsai	07/07/2022	PCB MOUNT, W/CAP		UNIT	mm	SIZE	A3	
X.XXX	±0.10	DWG TYPE	CUST DWG	PROJECT CODE	HEAD	SCALE	NA	SHEET	1 OF 4	PART No.	G800LTXXXXXTSHR
ANGULAR	±1°									DWG No.	G800LTXXXXXTSHR
UNLESS OTHERWISE SPECIFIED										REV.	C

This document is the property of Amphenol Corporation and is delivered on the express condition that is not to be disclosed, reproduced or used, in whole or in part, for manufacture or sale by anyone other than Amphenol Corporation without its prior consent, and that no right is granted to disclose or to use any information in this document.

The marking on this product doesn't contain environmental hazardous materials per directive 2011/65/EU & 2015/863/EU for RoHS compliant and per IEC 61249-2-21 for Halogen-Free compliant.

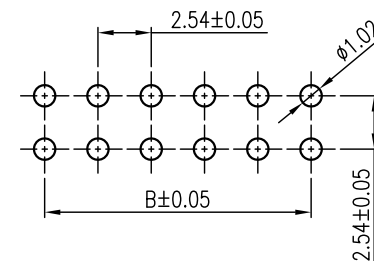
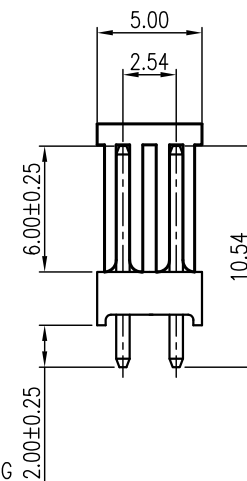
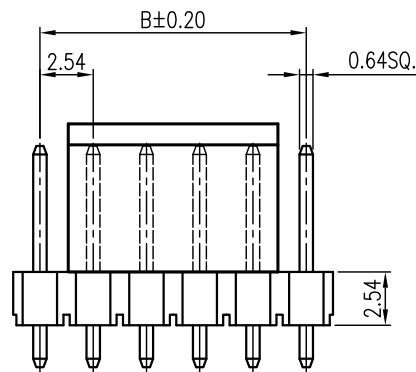
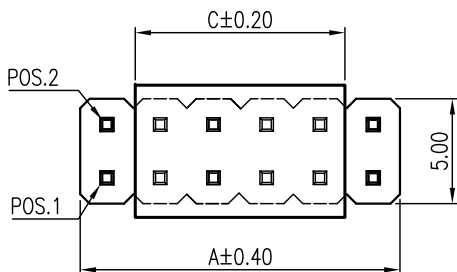


ORIGINAL



REVISIONS				
SYM	ECN No.	DESCRIPTION	DATE	APPROVED
A	NE-18067	RELEASE REVISION	05/09/2018	Roger Tsai
B	NE-19178	ADDED CAP DIM. OPTION	10/23/2019	Roger Tsai
C	NE-21171	ADDED OTHER POS. PKG/ADDED SHEET4 PKG	07/07/2022	Roger Tsai

G800 LT 556 XXX TSHR	2 x 40 = 80	101.6	99.06	10.00
G800 LT 557 XXX TSHR	2 x 39 = 78	99.06	96.52	10.00
G800 LT 558 XXX TSHR	2 x 38 = 76	96.52	93.98	10.00
G800 LT 559 XXX TSHR	2 x 37 = 74	93.98	91.44	10.00
G800 LT 560 XXX TSHR	2 x 36 = 72	91.44	88.90	10.00
G800 LT 561 XXX TSHR	2 x 35 = 70	88.90	86.36	10.00
G800 LT 562 XXX TSHR	2 x 34 = 68	86.36	83.82	10.00
G800 LT 563 XXX TSHR	2 x 33 = 66	83.82	81.28	10.00
G800 LT 564 XXX TSHR	2 x 32 = 64	81.28	78.74	10.00
G800 LT 565 XXX TSHR	2 x 31 = 62	78.74	76.20	10.00
G800 LT 566 XXX TSHR	2 x 30 = 60	76.20	73.66	10.00
G800 LT 567 XXX TSHR	2 x 29 = 58	73.66	71.12	10.00
G800 LT 568 XXX TSHR	2 x 28 = 56	71.12	68.58	10.00
G800 LT 569 XXX TSHR	2 x 27 = 54	68.58	66.04	10.00
G800 LT 570 XXX TSHR	2 x 26 = 52	66.04	63.50	10.00
G800 LT 571 XXX TSHR	2 x 25 = 50	63.50	60.96	10.00
G800 LT 572 XXX TSHR	2 x 24 = 48	60.96	58.42	10.00
G800 LT 573 XXX TSHR	2 x 23 = 46	58.42	55.88	10.00
G800 LT 574 XXX TSHR	2 x 22 = 44	55.88	53.34	10.00
G800 LT 575 XXX TSHR	2 x 21 = 42	53.34	50.80	10.00
G800 LT 576 XXX TSHR	2 x 20 = 40	50.80	48.26	10.00
G800 LT 577 XXX TSHR	2 x 19 = 38	48.26	45.72	10.00
G800 LT 578 XXX TSHR	2 x 18 = 36	45.72	43.18	10.00
G800 LT 579 XXX TSHR	2 x 17 = 34	43.18	40.64	10.00
G800 LT 580 XXX TSHR	2 x 16 = 32	40.64	38.10	10.00
G800 LT 581 XXX TSHR	2 x 15 = 30	38.10	35.56	10.00
G800 LT 582 XXX TSHR	2 x 14 = 28	35.56	33.02	10.00
G800 LT 583 XXX TSHR	2 x 13 = 26	33.02	30.48	10.00
G800 LT 584 XXX TSHR	2 x 12 = 24	30.48	27.94	10.00
G800 LT 585 XXX TSHR	2 x 11 = 22	27.94	25.40	10.00
G800 LT 586 XXX TSHR	2 x 10 = 20	25.40	22.86	10.00
G800 LT 587 XXX TSHR	2 x 9 = 18	22.86	20.32	10.00
G800 LT 588 XXX TSHR	2 x 8 = 16	20.32	17.78	10.00
G800 LT 589 XXX TSHR	2 x 7 = 14	17.78	15.24	10.00
G800 LT 590 XXX TSHR	2 x 6 = 12	15.24	12.70	10.00
G800 LT 591 XXX TSHR	2 x 5 = 10	12.70	10.16	10.00
G800 LT 592 XXX TSHR	2 x 4 = 8	10.16	7.62	10.00
G800 LT 593 XXX TSHR	2 x 3 = 6	7.62	5.08	5.00
G800 LT 594 XXX TSHR	2 x 2 = 4	5.08	2.54	5.00
PART NUMBER	NO. OF POS.	A	B	C



NOTES:

- INSULATOR: LCP, UL 94V-0, COLOR-BLACK
- CONTACT: COPPER ALLOY, "XXX"- PIN CONTACT/SOLDER AREA PLATING  
 "005"- 15μ" GOLD/GOLD FLASH  
 "010"- 30μ" GOLD/GOLD FLASH  
 "018"- GOLD FLASH/GOLD FLASH  
 "025"- 5μ" GOLD/GOLD FLASH  
 "032"- 100μ" MATTE TIN/100μ" MATTE TIN  
 SOLDER AREA: GOLD FLASH PLATING MIN.;  
 UNDER 50μ" NICKEL PLATING MIN. OVERALL.
- THIS PRODUCT DOESN'T CONTAIN ENVIRONMENTAL HAZARDOUS MATERIALS PER DIRECTIVE 2011/65/EU & 2015/863/EU FOR RoHS. AND PER IEC 61249-2-21 FOR HALOGEN-FREE COMPLIANT.
- PACKING IS PER AMTA PACKING SPECIFICATION PKS-0001
- PRODUCT SPECIFICATION REFER TO : PS-7501.

RECOMMENDED PCB LAYOUT  
ALL TOLERANCE ARE ±0.05

TOLERANCE	APPROVALS	DATE	TITLE		Amphenol®			
X.	DRAWN	Aqua Chou	G800 SERIES, PCB HEADER		Amphenol Corporation			
X.X ±0.30	CHECKED	Joseph Jiang	2.54 MM PITCH STRAIGHT		Amphenol Taiwan Corporation			
X.XX ±0.20	APPROVED	Roger Tsai	PCB MOUNT, W/CAP		UNIT	SIZE	PART No.	G800LTXXXXXTSHR
X.XXX ±0.10	DWG TYPE	PROJECT CODE	UNIT	mm	A3	SHEET	2 OF 4	DWG No.
ANGULAR ±1°	CUST DWG	HEAD	SCALE	NA	SCALE	2 OF 4	G800LTXXXXXTSHR	REV. C
UNLESS OTHERWISE SPECIFIED								

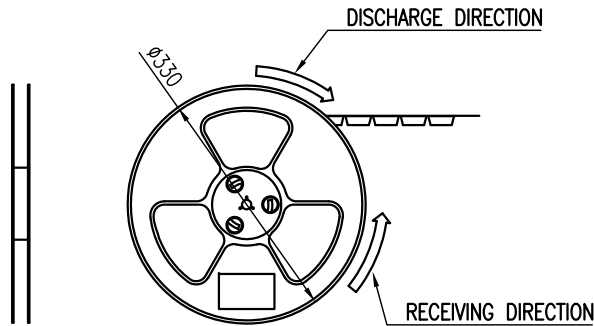
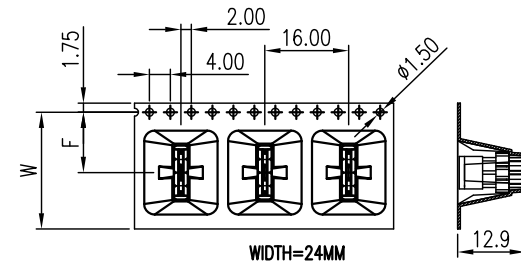
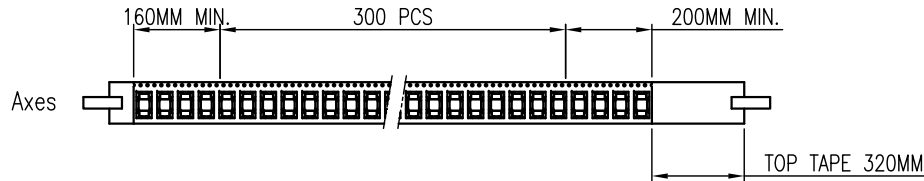
This document is the property of Amphenol Corporation and is delivered on the express condition that is not to be disclosed, reproduced or used, in whole or in part, for manufacture or sale by anyone other than Amphenol Corporation without its prior consent, and that no right is granted to disclose or to use any information in this document.  
 The marking on this product doesn't contain environmental hazardous materials per directive 2011/65/EU & 2015/863/EU for RoHS compliant and per IEC 61249-2-21 for Halogen-Free compliant.



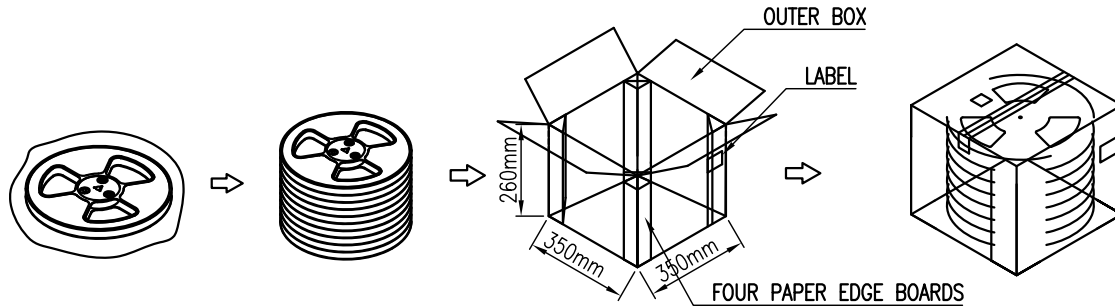
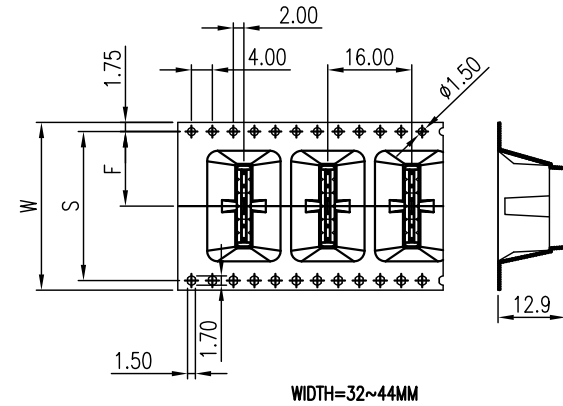
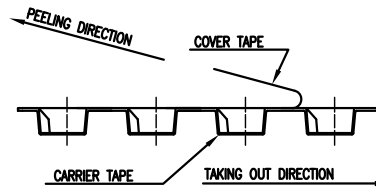
ORIGINAL



REVISIONS				
SYM	ECN No.	DESCRIPTION	DATE	APPROVED
A	NE-18067	RELEASE REVISION	05/09/2018	Roger Tsai
B	NE-19178	ADDED CAP DIM. OPTION	10/23/2019	Roger Tsai
C	NE-21171	ADDED OTHER POS. PKG/ADDED SHEET4 PKG	07/07/2022	Roger Tsai

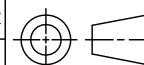


COVER TAPE PEEL STRENGTH: 20~120g  
 PEEL SPEED: 300mm/minute



1*08=08							
1*07=07	44	40.4	20.2	37.5	300	5R	1500
1*06=06	32	28.4	14.2	25.5	300	6R	1800
1*05=05							
1*04=04							
1*03=03	24	/	11.5	21.3	300	8R	2400
1*02=02							
PIN NO.	W	S	F	Cover Tape	REEL /PCS	CARTON /R	CARTON /PCS

TOLERANCE	APPROVALS	DATE	TITLE		Amphenol®		
X. ±0.30	DRAWN Aqua Chou	07/07/2022	G800 SERIES, PCB HEADER 2.54 MM PITCH STRAIGHT PCB MOUNT, W/CAP		Amphenol Corporation Amphenol Taiwan Corporation		
X.X ±0.20	CHECKED Joseph Jiang	07/07/2022					
X.XXX ±0.10	APPROVED Roger Tsai	07/07/2022					
ANGULAR ±1°	DWG TYPE CUST DWG	PROJECT CODE HEAD	UNIT mm	SCALE NA	SIZE A3	SHEET 3 OF 4	PART No. G800LTXXXXXTSHR
UNLESS OTHERWISE SPECIFIED							DWG No. G800LTXXXXXTSHR



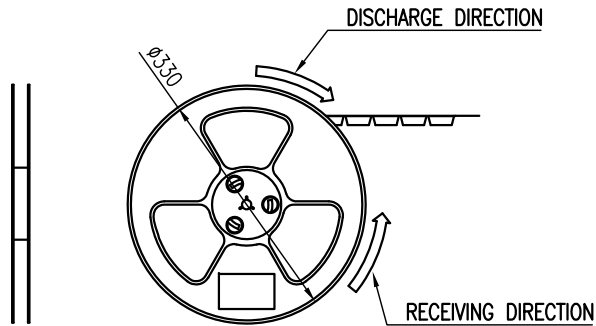
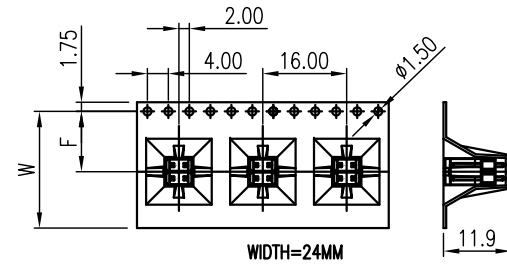
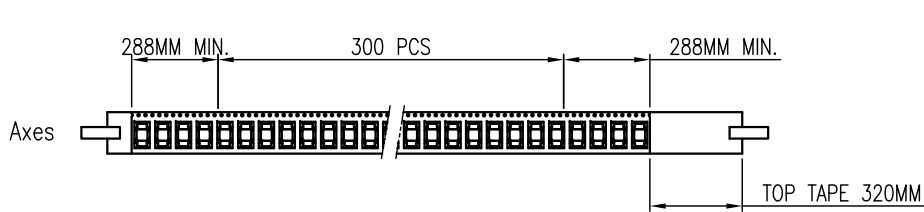
This document is the property of Amphenol Corporation and is delivered on the express condition that is not to be disclosed, reproduced or used, in whole or in part, for manufacture or sale by anyone other than Amphenol Corporation without its prior consent, and that no right is granted to disclose or to use any information in this document.  
 The marking on this product doesn't contain environmental hazardous materials per directive 2011/65/EU & 2015/863/EU for RoHS compliant and per IEC 61249-2-21 for Halogen-Free compliant.



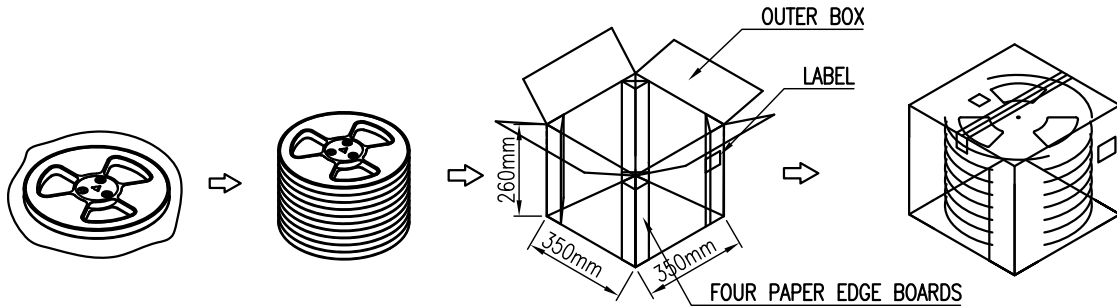
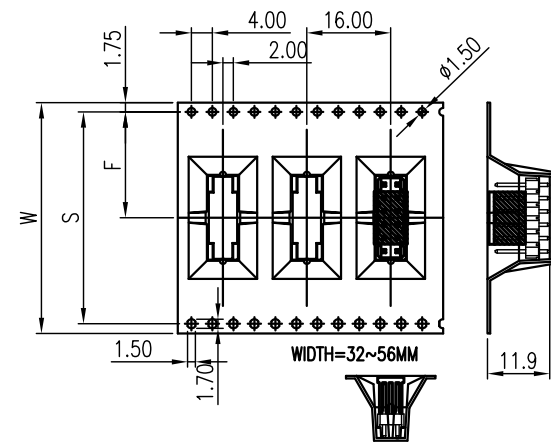
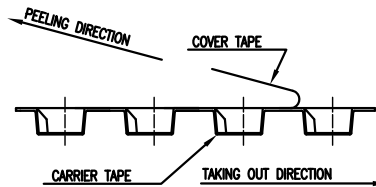
ORIGINAL



REVISIONS				
SYM	ECN No.	DESCRIPTION	DATE	APPROVED
A	NE-18067	RELEASE REVISION	05/09/2018	Roger Tsai
B	NE-19178	ADDED CAP DIM. OPTION	10/23/2019	Roger Tsai
C	NE-21171	ADDED OTHER POS. PKG/ADDED SHEET4 PKG	07/07/2022	Roger Tsai



COVER TAPE PEEL STRENGTH:20~120g  
 PEEL SPEED:300mm/minute



2*14=28	56	40.4	20.2	49.5	300	4R	1200
2*12=24							
2*10=20							
2*09=18	44	40.4	20.2	37.5	300	4R	1200
2*08=16							
2*07=14							
2*06=12							
2*05=10	32	28.4	14.2	25.5	300	6R	1800
2*04=08							
2*03=06	24	/	11.5	21.3	300	8R	2400
2*02=04							
PIN NO.	W	S	F	Cover Tape	REEL /PCS	CARTON /R	CARTON /PCS

TOLERANCE	APPROVALS	DATE	TITLE		PART No.		
X. ±0.30	DRAWN Aqua Chou	07/07/2022	G800 SERIES, PCB HEADER 2.54 MM PITCH STRAIGHT PCB MOUNT, W/CAP		<b>Amphenol®</b> Amphenol Corporation Amphenol Taiwan Corporation		
X.X ±0.20	CHECKED Joseph Jiang	07/07/2022					
X.XXX ±0.10	APPROVED Roger Tsai	07/07/2022					
ANGULAR ±1°	DWG TYPE CUST DWG	PROJECT CODE HEAD	UNIT mm	SIZE A3	PART No. G800LTXXXXXTSHR		
UNLESS OTHERWISE SPECIFIED			SCALE NA	SHEET 4 OF 4	DWG No. G800LTXXXXXTSHR REV. C		