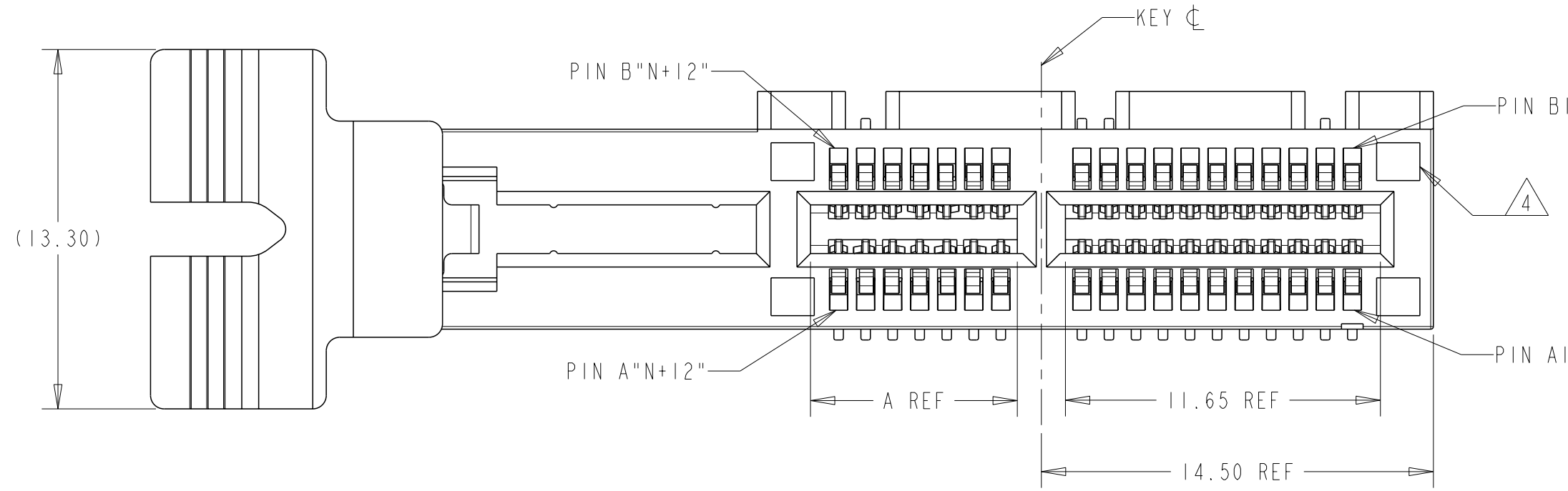
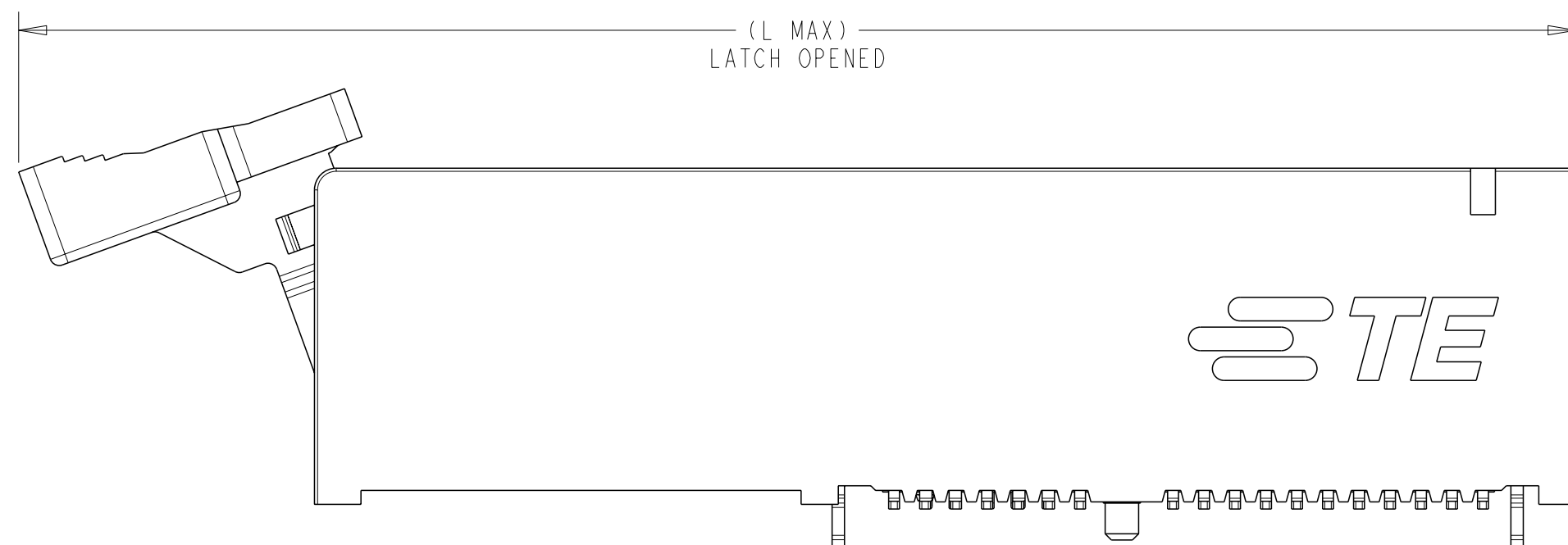
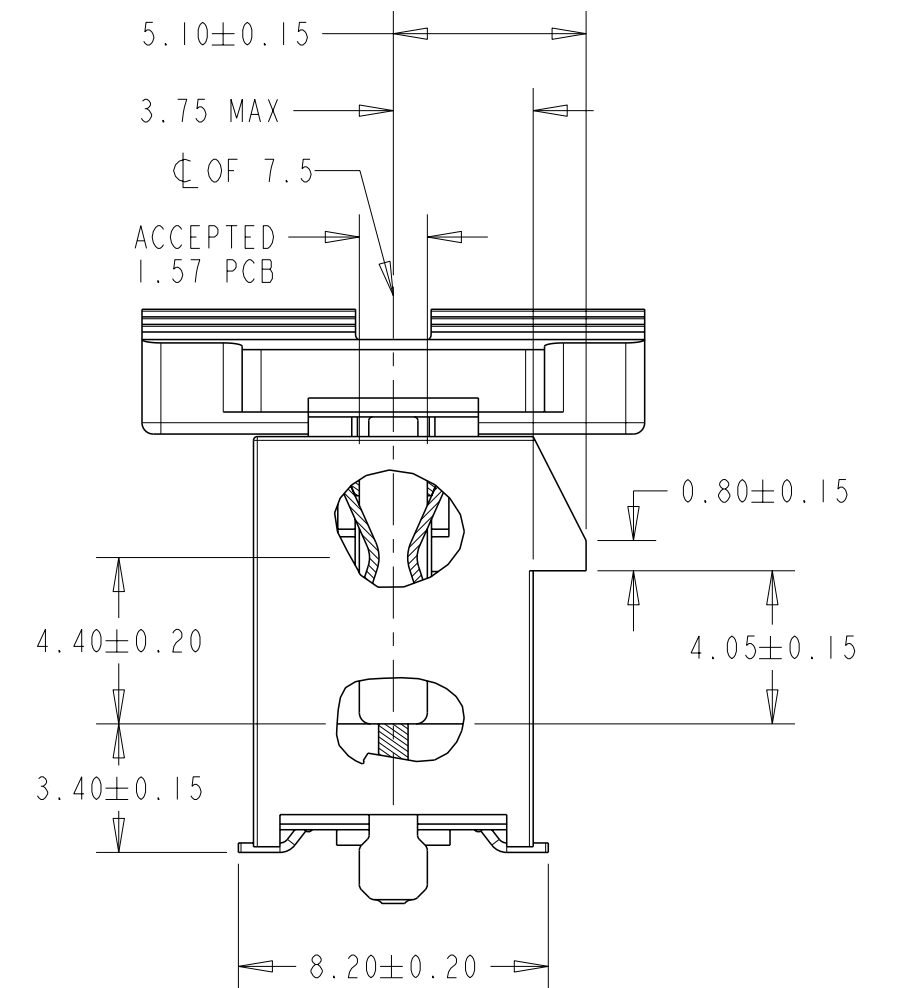
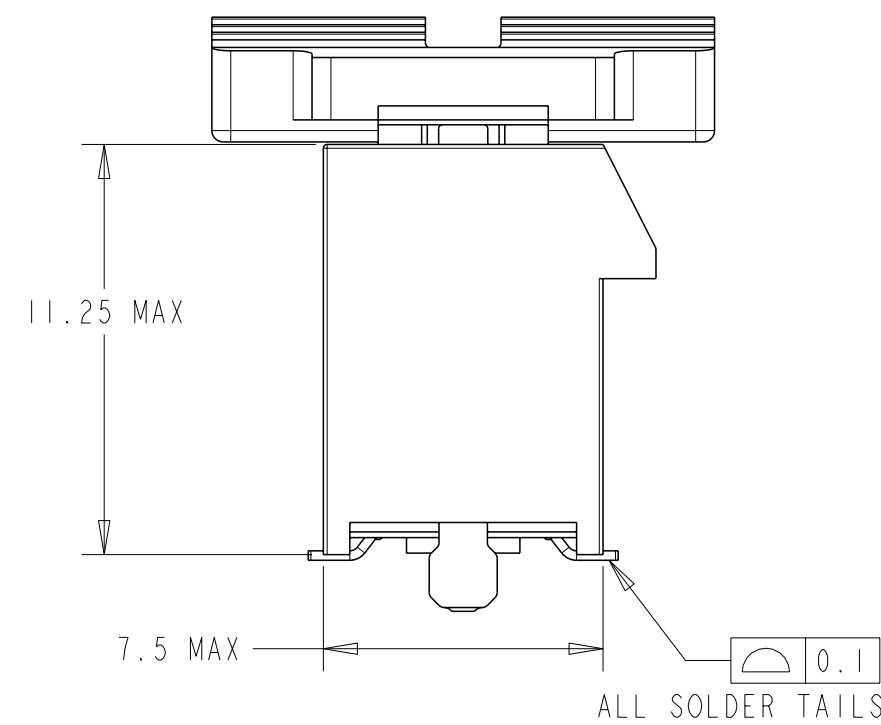
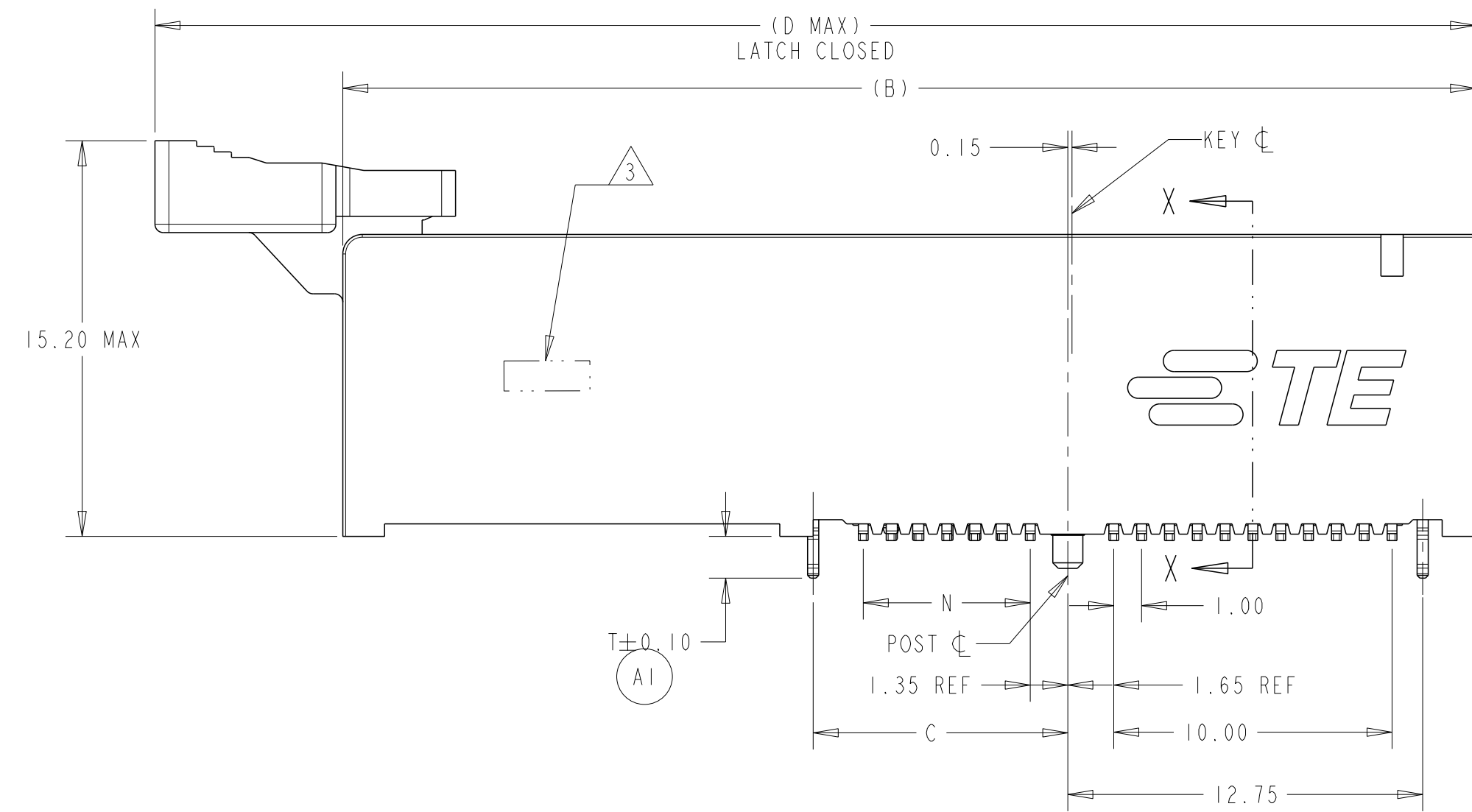


REVISIONS					
P	LTR	DESCRIPTION	DATE	DWN	APVD
A		A REVISION RELEASE	6JUNE2022	SY	HL
A1		ADD 2.76mm SOLDER TAB PN	13JUNE2022	SY	HL



NOTES:

- 1 MATERIAL:
HOUSING: HIGH-TEMP PLASTIC; BLACK, UL 94V-0
LATCH: HIGH-TEMP PLASTIC; NATURAL, UL 94V-0
CONTACT: COPPER ALLOY
SOLDER TAB: STAINLESS STEEL
 - 2 FINISH:
(SEE TALBE) μ m GOLD PLATING OR GOLD FLASH OVER PdNi ON CONTACT AREA.
2.54 μ m MATTE-TIN PLATING ON SOLDER TAIL AREA.
1.27 μ m NICKEL UNDERPLATING OVERALL.
 - 3 PCIE5, PART NUMBER AND DC PRINTED IN APPROPRIATE AREA OR OPPOSITE.
 - 4 SUCH CORE VOIDS OPTIONAL PER MANUFACTURER'S CONVENIENCE.
5. ONLY PARTIAL PARTS WERE TOOLED, PLEASE CONTACT TE FOR PART AVAILABILITY



THIS DRAWING IS A CONTROLLED DOCUMENT.		DWN SANDERS YAN 22MAR2020	STE TE Connectivity	
		CHK MIKE CHEN 22MAY2020		
DIMENSIONS: mm		APVD HOPE LU 22MAR2020	NAME PCI EXPRESS CARD EDGE CONNECTOR GEN5, SMT, WITH LATCH	
TOLERANCES UNLESS OTHERWISE SPECIFIED:		PRODUCT SPEC 108-160247	RESTRICTED TO	
0 PLC \pm		APPLICATION SPEC -	SIZE A2	CAGE CODE 00779
1 PLC \pm 0.3		WEIGHT -	DRAWING NO C-2371438	OF 5
2 PLC \pm 0.2		CUSTOMER DRAWING	SCALE 5:1	SHEET 1
3 PLC \pm 0.05				REV A1
4 PLC \pm				
ANGLES \pm				
FINISH				

printed on 1 Aug 2022 11:15 (China Standard Time) from TE326424

REVISIONS

P	LTR	DESCRIPTION	DATE	DWN	APVD
-		SEE SHEET 1	-	-	-

A1

G/F	W	V	T	P	Q	L	J	D	N	C	B	A	POS.	PART NUMBER
30u"	86.5	8.0	2.76	1.95	0.9	118	50.3	113	70	73.15	104.7	71.65	164	2371438-5
30u"	86.5	8.0	2.76	1.95	0.9	118	50.3	113	70	73.15	104.7	71.65	164	6-2371438-8
15u"	86.5	8.0	2.76	1.95	0.9	118	50.3	113	70	73.15	104.7	71.65	164	6-2371438-4
30u"	86.5	8.0				118	50.3	113	70	73.15	104.7	71.65	164	5-2371438-8
30u"	53.5	8.0				85	33.8	80	37	40.15	71.7	38.65	98	5-2371438-7
30u"	36.5	8.0				68	25.3	63	20	23.15	54.7	21.65	64	5-2371438-6
30u"	22.5	8.0				54	18.3	49	6	9.15	40.7	7.65	36	5-2371438-5
30u"	10.0	8.0				118	50.3	113	70	73.15	104.7	71.65	164	5-2371438-4
30u"	10.0	8.0				85	33.8	80	37	40.15	71.7	38.65	98	5-2371438-3
30u"	10.0	8.0				68	25.3	63	20	23.15	54.7	21.65	64	5-2371438-2
30u"	10.0	8.0				54	18.3	49	6	9.15	40.7	7.65	36	5-2371438-1
15u"	86.5	8.0				118	50.3	113	70	73.15	104.7	71.65	164	4-2371438-8
15u"	53.5	8.0				85	33.8	80	37	40.15	71.7	38.65	98	4-2371438-7
15u"	36.5	8.0				68	25.3	63	20	23.15	54.7	21.65	64	4-2371438-6
15u"	22.5	8.0				54	18.3	49	6	9.15	40.7	7.65	36	4-2371438-5
15u"	10.0	8.0				118	50.3	113	70	73.15	104.7	71.65	164	4-2371438-4
15u"	10.0	8.0				85	33.8	80	37	40.15	71.7	38.65	98	4-2371438-3
15u"	10.0	8.0				68	25.3	63	20	23.15	54.7	21.65	64	4-2371438-2
15u"	10.0	8.0				54	18.3	49	6	9.15	40.7	7.65	36	4-2371438-1
G/F	86.5	8.0				118	50.3	113	70	73.15	104.7	71.65	164	3-2371438-8
G/F	53.5	8.0	1.5	2.3	1.1	85	33.8	80	37	40.15	71.7	38.65	98	3-2371438-7
G/F	36.5	8.0				68	25.3	63	20	23.15	54.7	21.65	64	3-2371438-6
G/F	22.5	8.0				54	18.3	49	6	9.15	40.7	7.65	36	3-2371438-5
G/F	10.0	8.0				118	50.3	113	70	73.15	104.7	71.65	164	3-2371438-4
G/F	10.0	8.0				85	33.8	80	37	40.15	71.7	38.65	98	3-2371438-3
G/F	10.0	8.0				68	25.3	63	20	23.15	54.7	21.65	64	3-2371438-2
G/F	10.0	8.0				54	18.3	49	6	9.15	40.7	7.65	36	3-2371438-1
30u"		NA				118	50.3	113	70	73.15	104.7	71.65	164	2-2371438-4
30u"		NA				85	33.8	80	37	40.15	71.7	38.65	98	2-2371438-3
30u"		NA				68	25.3	63	20	23.15	54.7	21.65	64	2-2371438-2
30u"		NA				54	18.3	49	6	9.15	40.7	7.65	36	2-2371438-1
15u"		NA				118	50.3	113	70	73.15	104.7	71.65	164	1-2371438-4
15u"		NA				85	33.8	80	37	40.15	71.7	38.65	98	1-2371438-3
15u"		NA				68	25.3	63	20	23.15	54.7	21.65	64	1-2371438-2
15u"		NA				54	18.3	49	6	9.15	40.7	7.65	36	1-2371438-1
G/F		NA				118	50.3	113	70	73.15	104.7	71.65	164	2371438-4
G/F		NA				85	33.8	80	37	40.15	71.7	38.65	98	2371438-3
G/F		NA				68	25.3	63	20	23.15	54.7	21.65	64	2371438-2
G/F		NA				54	18.3	49	6	9.15	40.7	7.65	36	2371438-1
PRECIOUS PLATING THICKNESS (TOTAL)	W	V	T	P	Q	L	J	D	N	C	B	A	POS.	PART NUMBER
	MYLAR SIZE (PAGE 4)		TAB LENGTH	PCB PAD HOLE										

THIS DRAWING IS A CONTROLLED DOCUMENT.

DWN SANDERS YAN 22MAR2020
CHK MIKE CHEN 22MAY2020
APVD HOPE LU 22MAR2020

STE TE Connectivity

NAME PCI EXPRESS CARD EDGE CONNECTOR GEN5, SMT, WITH LATCH

PRODUCT SPEC 108-160247
APPLICATION SPEC -

SIZE A2 CAGE CODE 00779 DRAWING NO C-2371438 RESTRICTED TO -

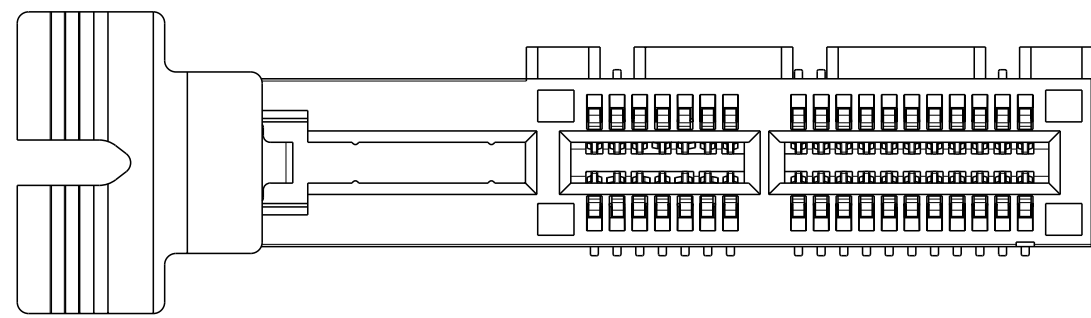
MATERIAL - FINISH - WEIGHT -

CUSTOMER DRAWING SCALE 5:1 SHEET 2 OF 5 REV A1

Printed on 1 Aug 2022 11:15 (China Standard Time) from E326424

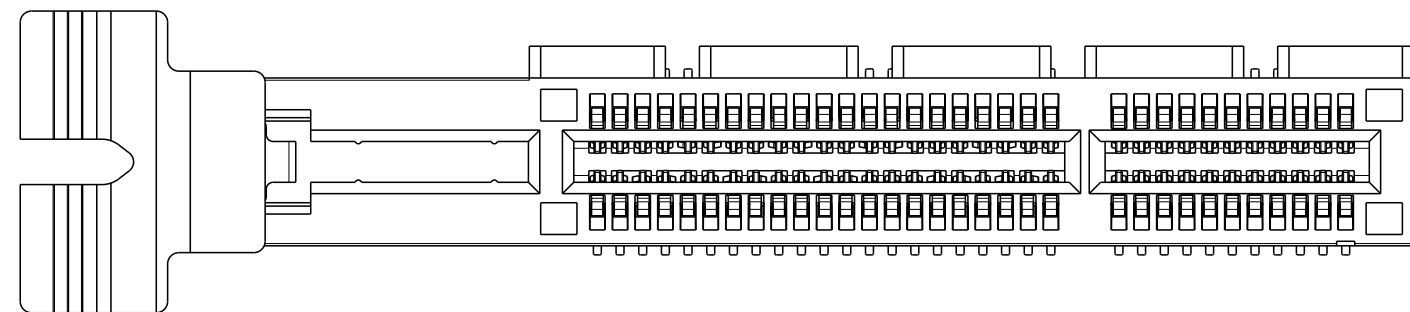
P	LTR	DESCRIPTION	DATE	DWN	APVD
-		SEE SHEET 1	-	-	-

FRONT VIEW



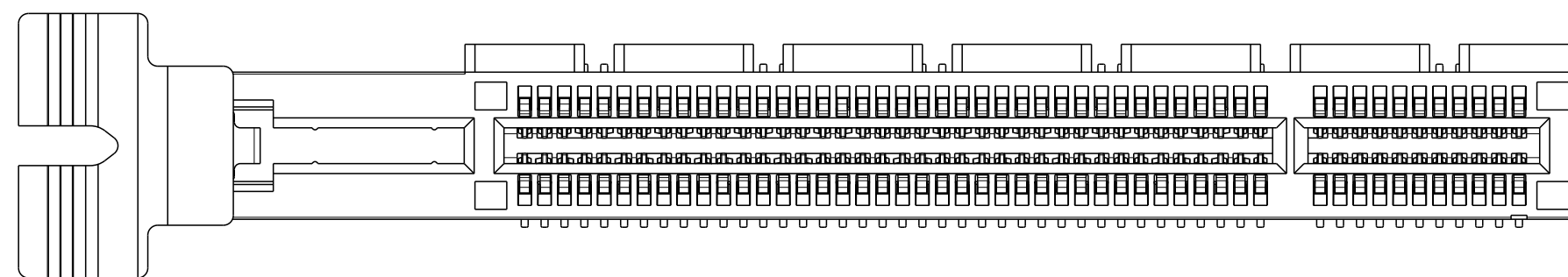
36POS AS SHOWN
SCALE 3:1

FRONT VIEW



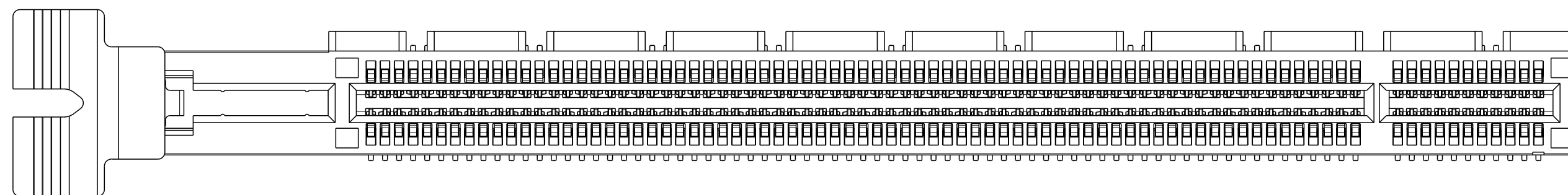
64POS AS SHOWN
SCALE 3:1

FRONT VIEW

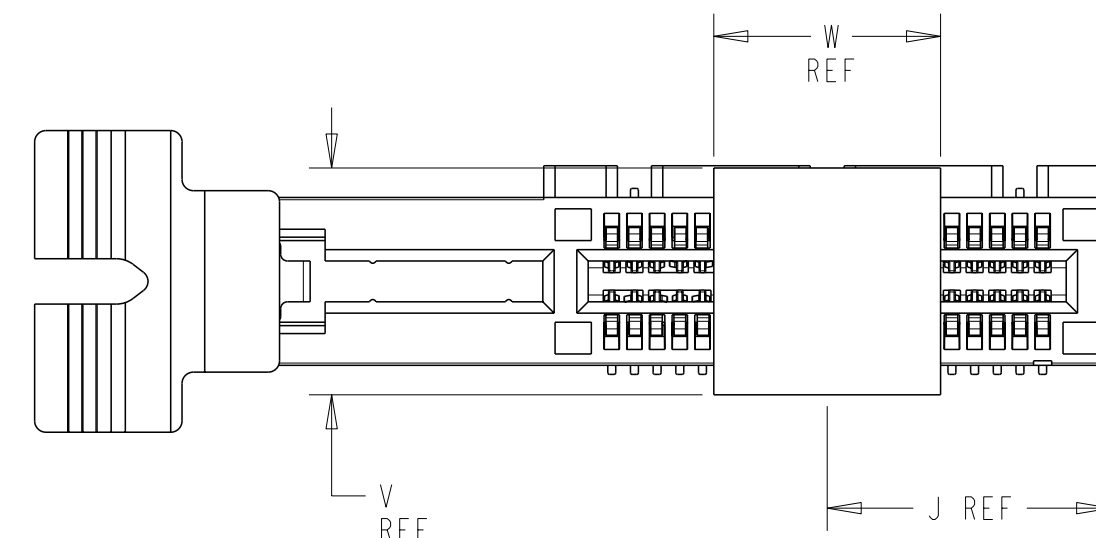


98POS AS SHOWN
SCALE 3:1

FRONT VIEW



164POS AS SHOWN
SCALE 3:1

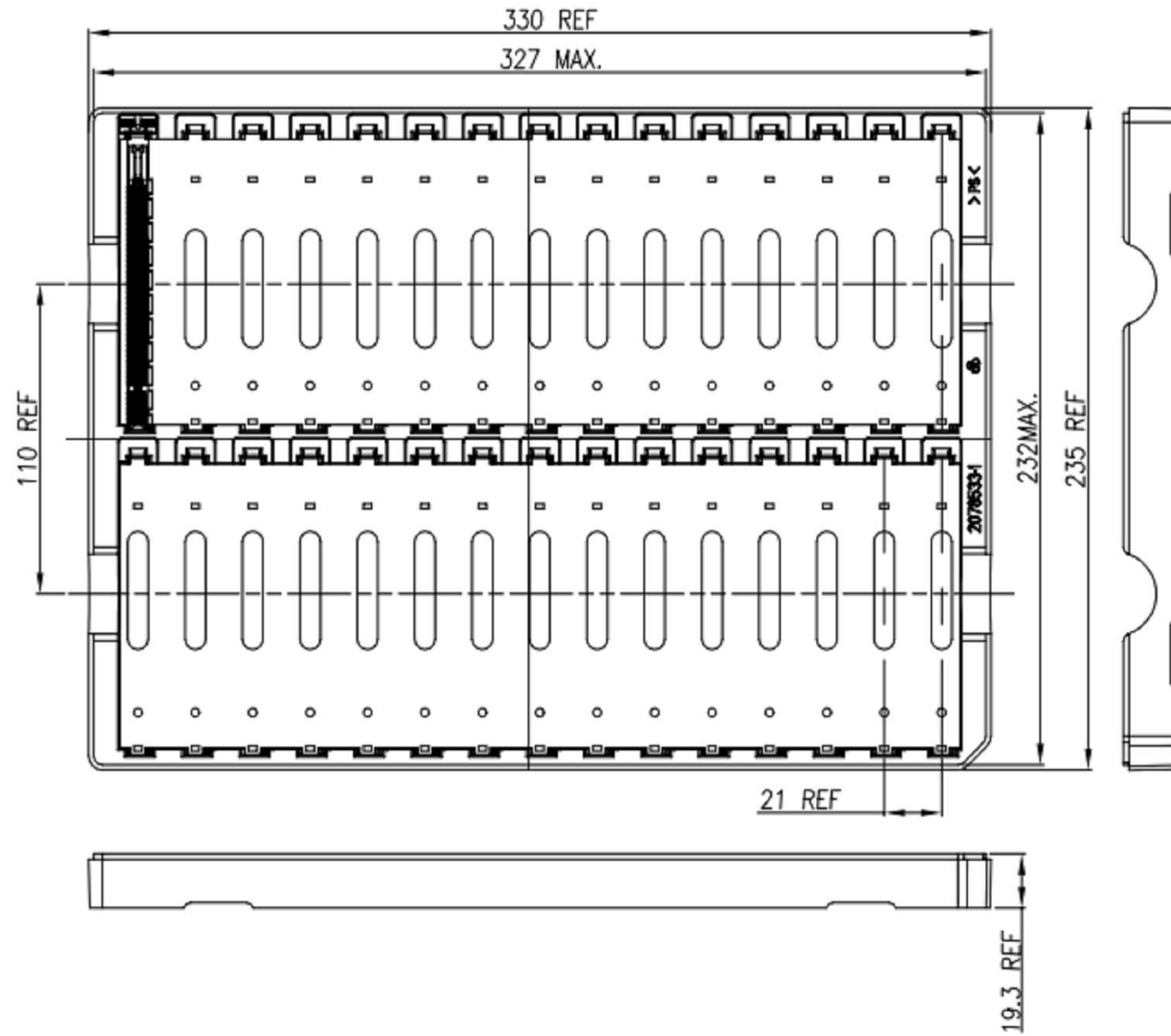


MYLAR SIZE
SCALE 3:1


THIS DRAWING IS A CONTROLLED DOCUMENT.		DWN SANDERS, YAN 22MAR2020																		
DIMENSIONS: mm		CHK MIKE, CHEN 22MAY2020																		
TOLERANCES UNLESS OTHERWISE SPECIFIED:		APVD HOPE, LU 22MAR2020	NAME PCI EXPRESS CARD EDGE CONNECTOR GEN5, SMT, WITH LATCH																	
<table border="1"> <tr><td>0 PLC</td><td>±</td></tr> <tr><td>1 PLC</td><td>±0.3</td></tr> <tr><td>2 PLC</td><td>±0.2</td></tr> <tr><td>3 PLC</td><td>±0.05</td></tr> <tr><td>4 PLC</td><td>±</td></tr> <tr><td>ANGLES</td><td>±</td></tr> <tr><td>FINISH</td><td>±</td></tr> </table>		0 PLC	±	1 PLC	±0.3	2 PLC	±0.2	3 PLC	±0.05	4 PLC	±	ANGLES	±	FINISH	±	PRODUCT SPEC 108-160247	SIZE A2	CAGE CODE 00779	DRAWING NO C-2371438	RESTRICTED TO -
0 PLC	±																			
1 PLC	±0.3																			
2 PLC	±0.2																			
3 PLC	±0.05																			
4 PLC	±																			
ANGLES	±																			
FINISH	±																			
MATERIAL -		APPLICATION SPEC -	SCALE 5:1		SHEET 4 OF 5	REV A1														
		WEIGHT -	CUSTOMER DRAWING																	

Printed on: 1 Aug 2022 11:15 (China Standard Time) from TE326424

P	LTR	DESCRIPTION	DATE	DWN	APVD
-		SEE SHEET 1	-	-	-



HARD TRAY: FOR 164P
SCALE 1:2

THIS DRAWING IS A CONTROLLED DOCUMENT.		DWN SANDERS, YAN 22MAR2020	 TE Connectivity			
DIMENSIONS: mm		CHK MIKE, CHEN 22MAY2020				
TOLERANCES UNLESS OTHERWISE SPECIFIED:		APVD HOPE, LU 22MAR2020	NAME PCI EXPRESS CARD EDGE CONNECTOR GEN5, SMT, WITH LATCH			
0 PLC ± 1 PLC ±0.3 2 PLC ±0.2 3 PLC ±0.05 4 PLC ± ANGLES ± FINISH ±		PRODUCT SPEC 108-160247	SIZE A2	CAGE CODE 00779	DRAWING NO C-2371438	RESTRICTED TO -
MATERIAL -		WEIGHT -	SCALE 5:1		SHEET 5 OF 5	REV A1
		CUSTOMER DRAWING				

Printed on: 1 Aug 2022 11:15 (China Standard Time) from: E326424