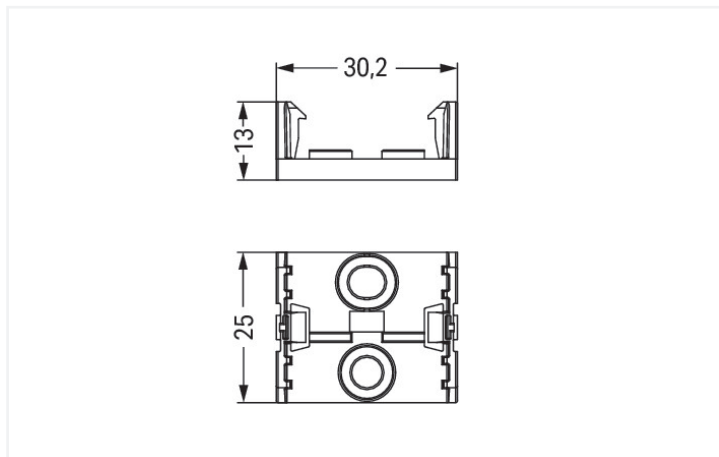


Data Sheet | Item Number: 890-625

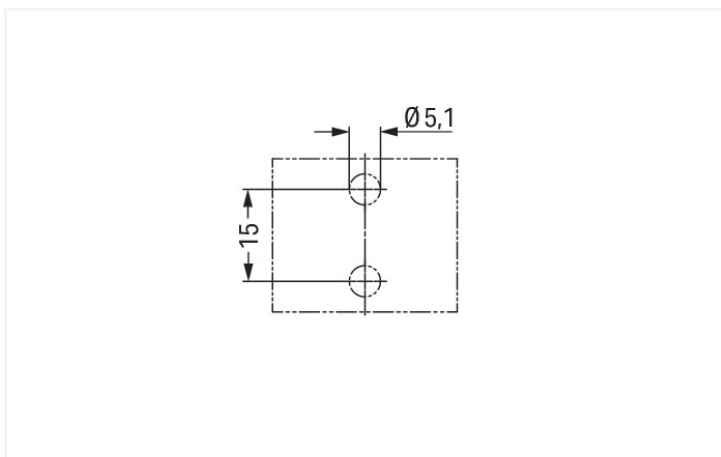
Mounting plate; 5-pole; for distribution connectors; Plastic; black

<https://www.wago.com/890-625>



Color: ■ black

Dimensions in mm



Dimensions in mm

Mounting accessories WINSTA® MINI 5-pole

With the mounting accessories from the WINSTA® MINI product line, zero-defect electrical installation is guaranteed. An extensive range of accessories complements the WINSTA® product line from WAGO. Especially if only limited space is available, our smallest pluggable connection system, WINSTA® MINI, conveniently displays its strengths. It is very compact, and, with Push-in CAGE CLAMP® spring pressure connection technology, it additionally saves time, since the connection is low-maintenance and can be performed without screw connections.

WINSTA® MINI solutions for your electrical installation – protected against mismatching and maintenance-free

The WINSTA® Pluggable Connection System is ideally tailored to the very strict requirements of building installation. It makes electrical installation pluggable, and thus more efficient, more reliable, and error-free. Using this pre-assembled system reduces assembly times and installation errors at the construction site. Now you can also cut installation costs without compromising quality and safety: with protection against mismatching eliminates the need for servicing and prevents unnecessary downtime.

- easy tool-free operation, a wide range of coding options
- quick replacement of defective units during ongoing operation

Notes

General safety information

NOTICE: Observe installation and safety instructions!

- Nur von Elektrofachkraft oder einer für die Tätigkeit elektrisch unterwiesenen Person (EUP nach DIN VDE 0105-100) anzuwenden!
- Nicht unter Spannung/Last installieren!
- Nur für bestimmungsgemäßen Gebrauch einsetzen!
- Nationale Vorschriften/Normen/Richtlinien beachten!
- Technische Daten der Produkte beachten!
- Auf die richtige Polbelegung achten!
- Keine beschädigten/verschmutzten Komponenten verwenden!
- Leiterarten, -querschnitte, Abisolierlängen und Leitungsdurchmesser beachten!
- Leiter bis zum Anschlag einführen!
- Nur mit Verriegelungsklinke und Zugentlastung verwenden!
- Originalzubehör verwenden!

To be sold only with installation instructions!

Connection Data

Connection 1

Pole number	5
-------------	---

Physical data

Width	30.2 mm / 1.189 inches
Height	13 mm / 0.512 inches
Depth	25 mm / 1.189 inches

Mechanical data

Mounting type	Screw mount
Suitable	for distribution connectors (except T-distribution connectors); 5-pole

Material data

Note (material data)	Information on material specifications can be found here
Color	black
Insulation material (main housing)	Polyamide (PA66)
Flammability class per UL94	V0
Fire load	0.071 MJ
Weight	2.4 g

Environmental requirements

Processing temperature	-5 ... +40 °C
Continuous operating temperature	-35 ... +85 °C
Note on continuous operating temperature	Insulating parts for temperatures ≤ 105 °C

Commercial data

Product Group	20 (Winsta)
PU (SPU)	50 (50) pcs
Packaging type	Box
Country of origin	DE
GTIN	4055143838757
Customs tariff number	39269097900

Product Classification

UNSPSC	39121311
eCl@ss 10.0	27-44-06-92
eCl@ss 9.0	27-44-06-92
ETIM 9.0	EC002863
ETIM 10.0	EC002863
ECCN	NO US CLASSIFICATION

Environmental Product Compliance

RoHS Compliance Status	Compliant, No Exemption
------------------------	-------------------------

Approvals / Certificates

Approvals for marine applications



Approval	Standard	Certificate Name
LR Lloyds Register	EN 61535	08/20047 (E2)

Downloads




Environmental Product Compliance

Compliance Search	
Environmental Product Compliance 890-625	↓

Documentation

Bid Text			
890-625	11.03.2015	doc 21.50 KB	↓
890-625	19.02.2019	xml 2.55 KB	↓

CAD/CAE-Data

CAD data	CAE data
2D/3D Models 890-625 	WSCAD Universe 890-625 
	ZUKEN Portal 890-625 

Subject to changes. Please also observe the further product documentation!

Current addresses can be found at: www.wago.com