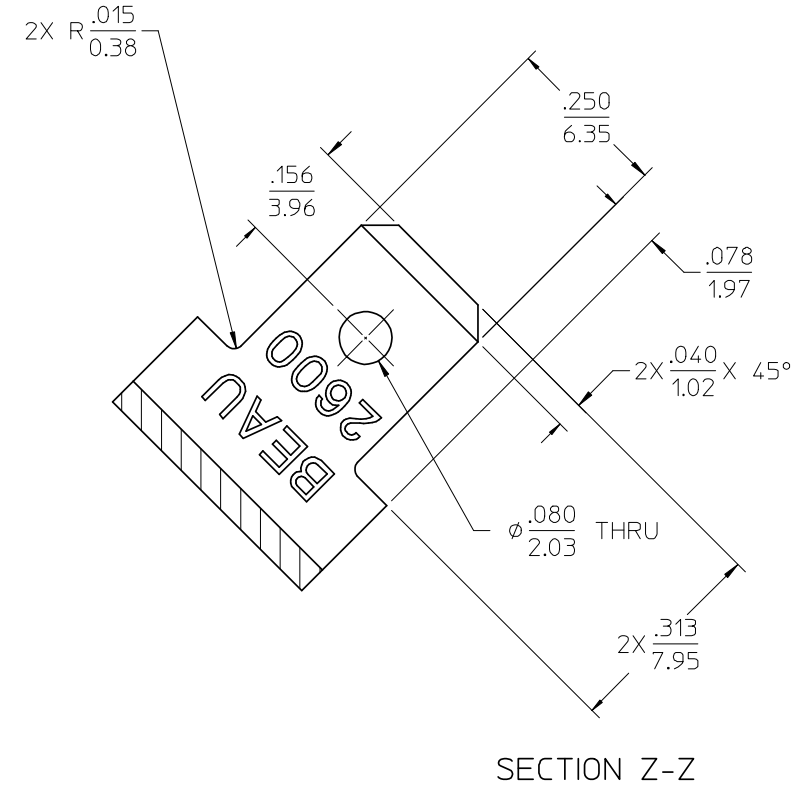
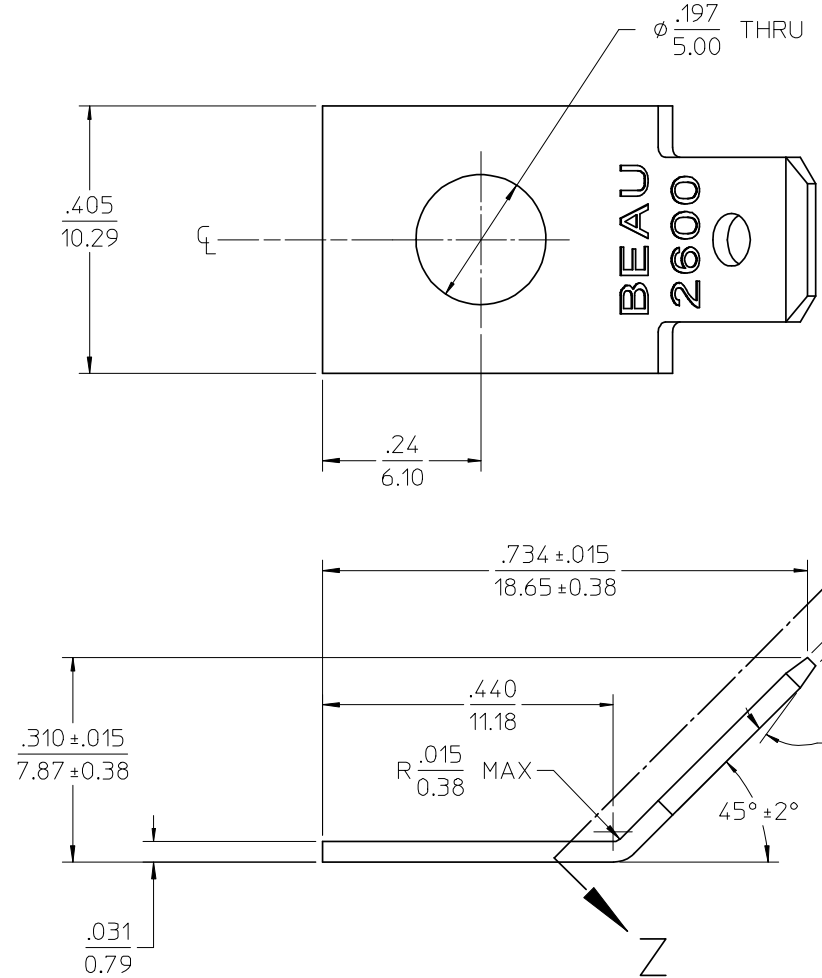


MATERIAL NO.	ENGINEERING NO.	DESCRIPTION	MATERIAL	FINISH
380020453	2614	TERMINAL, FAST TAB, VSL	BRASS	TIN OVER COPPER PLATED

ⓑ



SECTION Z-Z

NOTES:
1. PART IS ROHS COMPLIANT.

UPDATE CHART EC NO: WNA2008-0052 DRWN: JENCINAS 2008/04/30 CHKD: CYORK 2008/04/30 APPR: JMACNEIL 2008/04/30 REV DESCRIPTION	QUALITY SYMBOLS	GENERAL TOLERANCES (UNLESS SPECIFIED)	DIMENSION STYLE	SCALE	DESIGN UNITS	THIRD ANGLE PROJECTION
	$\blacktriangledown = 0$ $\triangleleft = 0$	mm INCH 4 PLACES ± --- ± --- 3 PLACES ± --- ± .005 2 PLACES ± 0.13 ± .01 1 PLACE ± 0.3 ± --- ANGULAR ± 2 °	IN/MM	5:1	INCH	
		DRAFT WHERE APPLICABLE MUST REMAIN WITHIN DIMENSIONS	DRAWN BY DATE EHILE 2007/03/20 CHECKED BY DATE JMACNEIL 2007/03/20 APPROVED BY DATE JMACNEIL 2007/03/20	TITLE	TERMINAL, FT, VSL (CAT# 2614)	
			MATERIAL NO. SEE CHART SIZE B THIS DRAWING CONTAINS INFORMATION THAT IS PROPRIETARY TO MOLEX INCORPORATED AND SHOULD NOT BE USED WITHOUT WRITTEN PERMISSION	MOLEX INCORPORATED DOCUMENT NO. SD-38002-057 SHEET NO. 1 OF 1		