

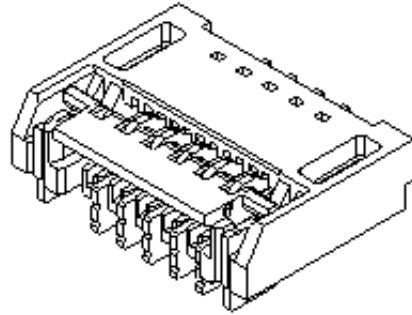
**Part Number :** [5019121590](#)

**Product Description :** 0.30mm Pitch Easy-On FPC Connector, Right-Angle, Surface Mount, Bottom Contact Style, 1.80mm Mated Height, 15 Circuits

**Series Number :** 501912

**Status :** Obsolete

**Product Category :** FFC / FPC Connectors




---

## Documents & Resources

---

## Product Environment Compliance

### Compliance

GADSL/IMDS	Compliant with Exemption 44; 33
China RoHS	
EU ELV	Not Relevant
Low-Halogen Status	Not Low-Halogen per IEC 61249-2-21
REACH SVHC	Not Contained per D(2024)4144-DC (27 June 2024)
EU RoHS	Compliant per EU 2015/863

### Multiple Part Product Compliance Statements

- Eu RoHS
- REACH SVHC
- Low-Halogen

### Multiple Part Industry Compliance Documents

- IPC 1752A Class C
- IPC 1752A Class D
- Molex Product Compliance Declaration
- IEC-62474
- chemSHERPA (xml)

### EU RoHS Certificate of Compliance

---

## Part Details

### General

Status	Obsolete
Category	FFC / FPC Connectors
Series	501912
Description	0.30mm Pitch Easy-On FPC Connector, Right-Angle, Surface Mount, Bottom Contact Style, 1.80mm Mated Height, 15 Circuits
Comments	Pattern layout, Size Different
Product Family	FFC - FPC Connectors and Cable Jumpers
Product Name	Easy-On
UPC	822350564915

## Electrical

Current - Maximum per Contact	0.2A
Voltage - Maximum	50V

## Physical

Actuator Type	Front Flip
Circuits (Loaded)	15
Circuits (maximum)	15
Color - Resin	Black, Natural
Contact Position	Bottom
Durability (mating cycles max)	20
Mated Height	1.80mm
Material - Metal	Copper, Phosphor Bronze
Material - Plating Mating	Gold
Material - Plating Termination	Gold
Material - Resin	High Temperature Thermoplastic
Net Weight	80.708/mg
Orientation	Right Angle
Packaging Type	Embossed Tape on Reel
PCB Locator	No
PCB Mounting	Surface Mount
PCB Retention	None
Pitch - Mating Interface	0.30mm

Pitch - Termination Interface	0.30mm
Plating min - Mating	0.102μm
Plating min - Termination	0.051μm
Polarized to PCB	No
Stackable	No
Temperature Range - Operating	-40° to +105°C
Wire/Cable Type	FPC only

---

This document was generated on Sep 30, 2024