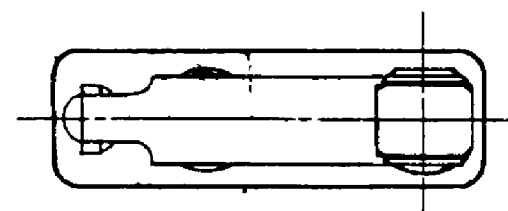
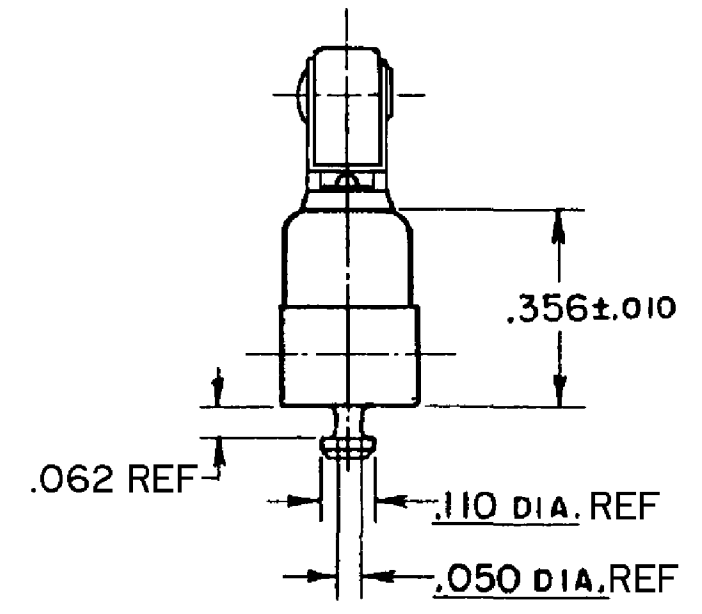
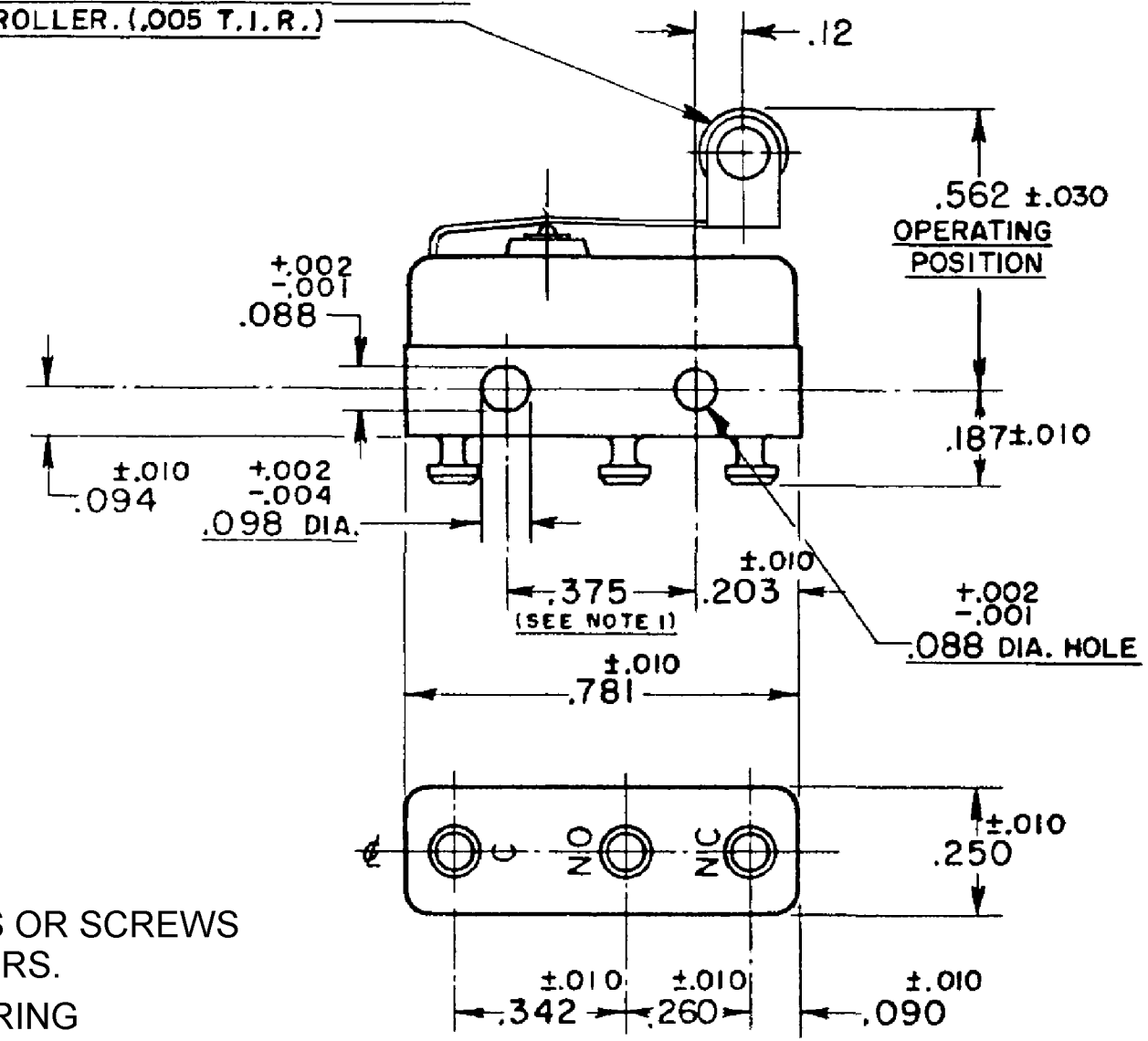


<b>HONEYWELL PART NUMBER</b>
111SM127-T
<b>PRODUCT CODE</b>
TYJ9276

REV	DOCUMENT	CHANGED BY	CHECK
A	0055407	SSK 19AUG09	CMH



**.187 DIA. X .125 WIDE OIL BRONZE  
ROLLER. (.005 T.I.R.)**



- NOTES:**
- 1 - MOUNTING HOLES WILL ACCEPT PINS OR SCREWS OF .087 MAX. DIA. ON .375±.002 CENTERS.
  - 2 - TERMINALS ARE PLATED FOR SOLDERING

<b>CHARACTERISTICS</b> OPERATING FORCE - - - - 7 OZ MAX RELEASE FORCE - - - - 2 OZ MIN PRETRAVEL - - - - .219 MAX DIFFERENTIAL TRAVEL - - .025 MAX OVERTRAVEL - - - - .030 MIN		<b>ELECTRICAL DATA</b> CONTACT ARRANGEMENT SPDT 30 VOLTS DC RATING SEA LEVEL 50,000 FT INDUCTIVE 3 AMP 2.5 AMP RESISTIVE 5 AMP 5 AMP MAXIMUM INRUSH 24 AMP		<b>DESIGN UNITS: INCH</b> <b>TOLERANCES UNLESS NOTED:</b> NO PLACES x ± - ONE PLACE .x ± .030 TWO PLACE .xx ± .015 THREE PLACE .xxx ± .005 ANGLES x ± - THIRD ANGLE PROJECTION		DRAWN SSK 19AUG09 CHECK GM 19AUG09 THIS DRAWING COVERS A PROPRIETARY ITEM AND IS THE PROPERTY OF HONEYWELL. THIS DRAWING IS NOT TO BE COPIED OR USED WITHOUT THE PERMISSION OF HONEYWELL. INTERPRET PER ASME Y14.5M-1994 OTHER HONEYWELL ENGINEERING STANDARDS MAY APPLY		<b>Honeywell</b> TITLE SWITCH - BASIC			
APPROVALS KEMA, CE 5A, 250V ~ T85 1E4 UL, CSA 5A, 250 VAC ~ UL 4A, 24VAC RES. 2A, 24VDC		CE BRAND L4 BRAND FIG 331		RASTER		SIZE B TYPE I CAGE CODE - SCALE NONE	DRAWING NAME 111SM127-T SHEET 1 OF 1		REV A		