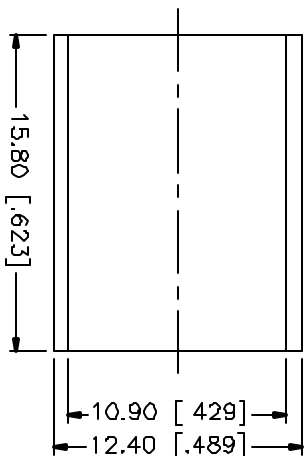
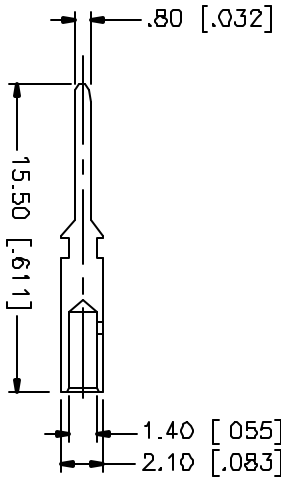
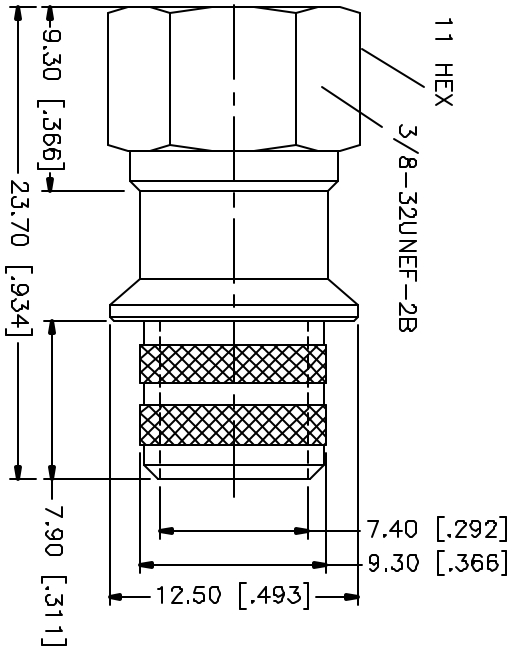
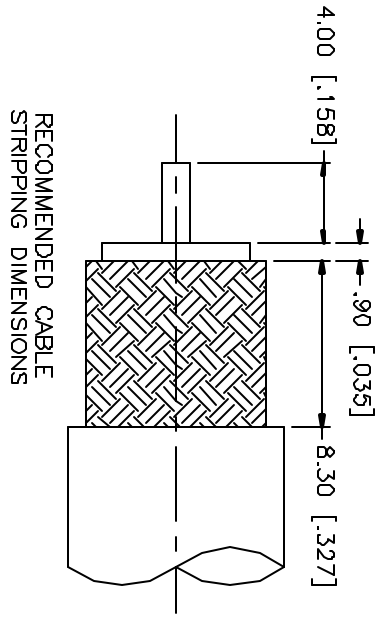


REV	DATE	DESCRIPTION
NC	02/12/01	INITIAL RELEASE



- CRIMP NOTES:
1. CRIMPED FERRULE
HEX CRIMP SIZE .429"
 2. CRIMPED CONTACT PIN
HEX CRIMP SIZE .068"

DESCRIPTION	MATERIAL	FINISH	UNLESS OTHERWISE SPECIFIED DIMENSIONS ARE IN MILLIMETERS DIMENSIONS IN [] ARE IN INCHES FOR CUSTOMER REFERENCE ONLY	APPROVALS	DATE	TITLE	SCALE	PART NO.	SHEET	REV.
8				UNLESS OTHERWISE SPECIFIED DIMENSIONS ARE IN MILLIMETERS DIMENSIONS IN [] ARE IN INCHES FOR CUSTOMER REFERENCE ONLY UNLESS OTHERWISE SPECIFIED TOLERANCES FOR MILLIMETERS ARE: 0.5-5 = ± 0.2 6-30 = ± 0.4 30-120 = ± 0.6 120-315 = ± 1 315-1000 = ± 1.6 1000-2000 = ± 2.4						
7					DRAWN	G.R.S.	02/12/01			
6					CHECKED					
5	FERRULE	BRASS	NICKEL		ISSUED					
4	BARREL	BRASS	NICKEL							
3	CONTACT PIN	BRASS	GOLD							
2	INSULATOR	DELRIN	NATURAL							
1	BODY	BRASS	NICKEL							
DESCRIPTION			MATERIAL	FINISH	DO NOT SCALE DRAWING		SCALE	NA	222175	1 OF 1
								F CRIMP PLUG (FOR RG-11 CABLE) DWS. NO. 222175.DWG		REV.
										NC