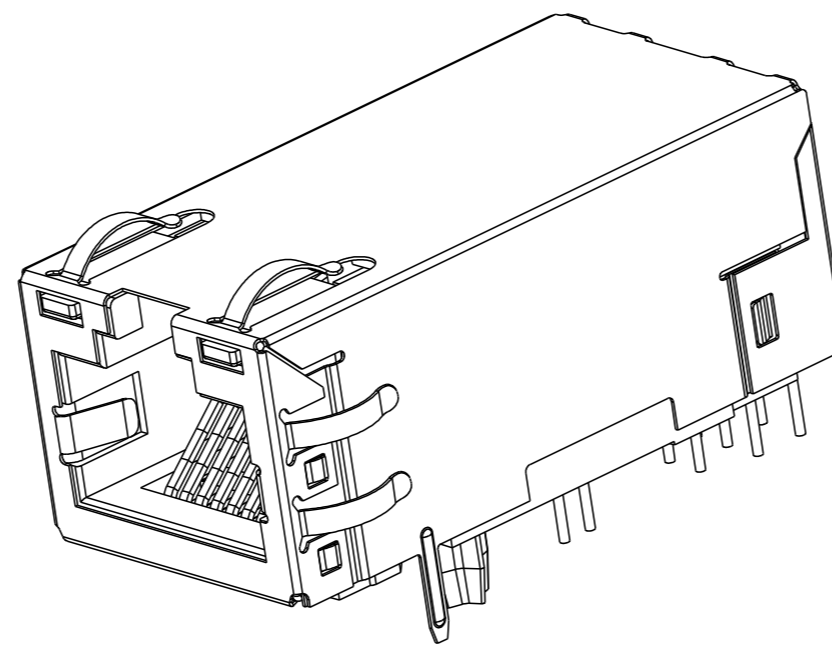
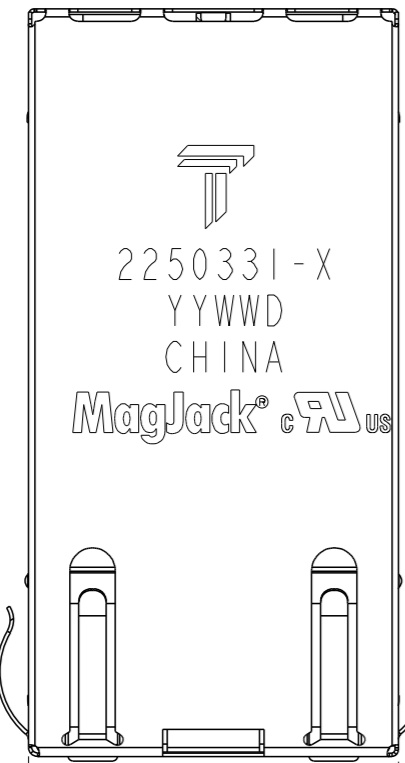


THIS DRAWING AND THE SUBJECT MATTER SHOWN THEREON ARE CONFIDENTIAL AND THE PROPERTY OF BEL/STEWART/TRP CONNECTOR AND SHALL NOT BE REPRODUCED, COPIED, OR USED IN ANY MANNER WITHOUT THE WRITTEN CONSENT OF TRP CONNECTOR.

PRODUCT MAY BE PROTECTED BY ONE OR MORE OF THE FOLLOWING US PATENTS:  
 5736910 5939955 6425781 6428361 6554638 6840817 7123117  
 7429195 7717749 7808751 6217391 6149050 7924130

REVISIONS				
P	LTR	DESCRIPTION	DATE	APVD
1		INITIAL RELEASE	27AUG2015	TRY TYY
2		SEE LAST SHEET	09MAR2016	TRY TY
3		SEE LAST SHEET	15JUN2016	TRY TY



1. MATERIALS

HOUSING: THERMOPLASTIC, BLACK, FLAMMABILITY RATING UL 94V-0  
 SHIELD: STAINLESS STEEL, 0.15mm THICK, PREPLATED WITH MIN 0.76μm SEMI-BRIGHT NICKEL POST DIPPED WITH 2.54μm MIN SAC SOLDER AT GROUND PINS.  
 CONTACT: PHOSPHOR BRONZE, 0.46mmX0.30mm WITH 1.27μm MIN OVERALL NICKEL UNDERPLATE AND SELECTIVE 1.27μm MIN GOLD PLATING AT MATING INTERFACE.  
 SOLDER TAIL(LED AND SIGNAL): Ø0.45mm COPPER PLATED STEEL, PLATED WITH 2.54μm MIN TIN.

2. MAGNETICS

-APPLICATION: 10/100/1000/2500 BASE-T 4PPoE EXTENDED TEMPERATURE  
 -IMPEDANCE: 100 OHMS  
 -TURNS RATIO (CHIP:CABLE): 1:1 ALL FOUR PAIRS  
 -OPEN CIRCUIT INDUCTANCE (OCL): ALL CHANNELS 250uH MIN @100kHz, 0.1VRMS, 8mA DC BIAS FROM -40°C TO 85°C, 120uH MIN @100kHz, 0.1VRMS, 19mA DC BIAS FROM -40°C TO 85°C, ALL FOUR PAIRS.  
 -ALL FOUR PAIRS BI-DIRECTIONAL  
 -PoE CURRENT: 600mADC MAX  
 -PERFORMANCE @ 25°C:  
 TX AND RX RETURN LOSS  
 1MHz <f<=40MHz -20 dB MAX.  
 40MHz <f<=200MHz -20+15log10(f/40MHz) dB MAX.  
 -ISOLATION VOLTAGE: 2250VDC FOR 60 SECONDS WITH A RISE TIME OF 500V/SEC.

3. OPERATING TEMPERATURE: -40°C TO 85°C

4. LIGHT PIPES ARE USED TO TRANSMIT LIGHT OF LED.

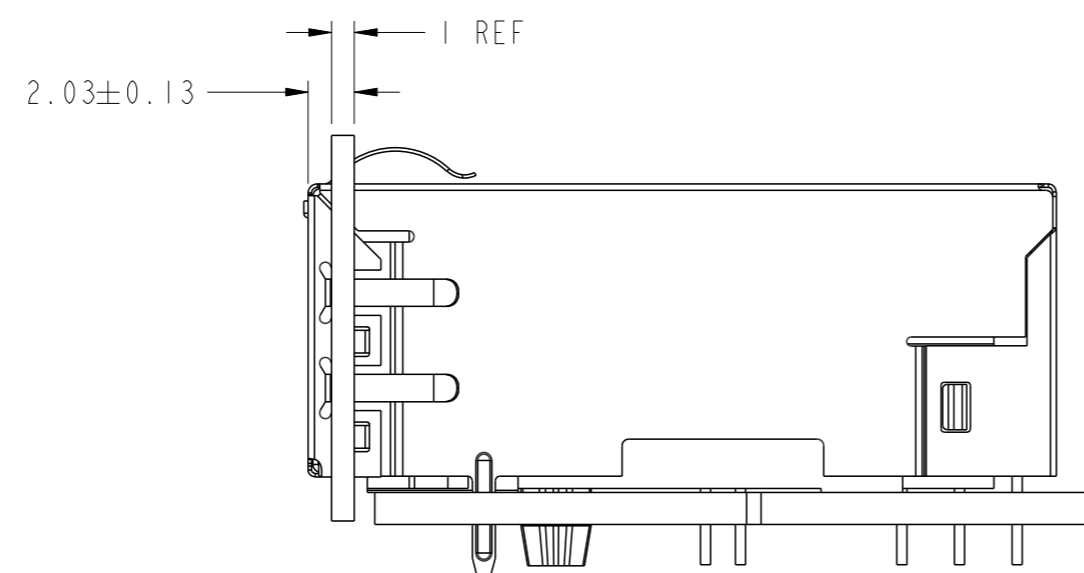
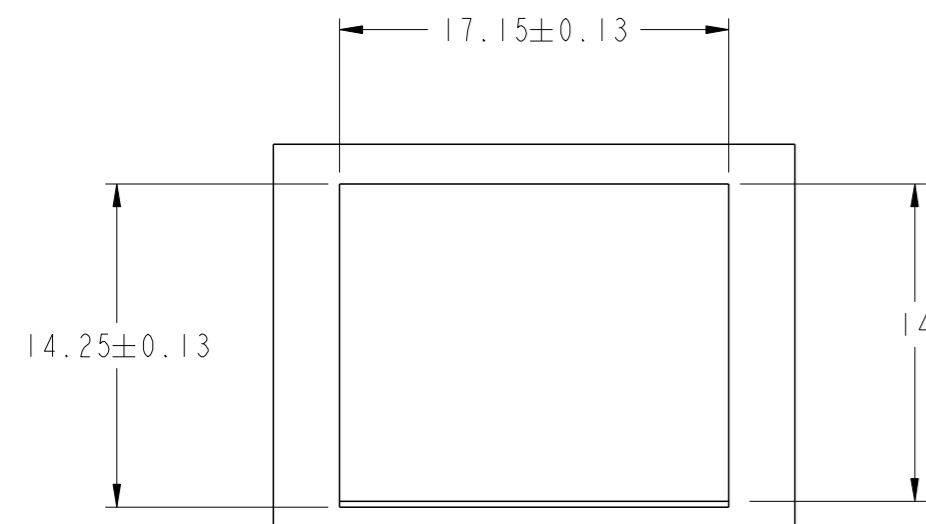
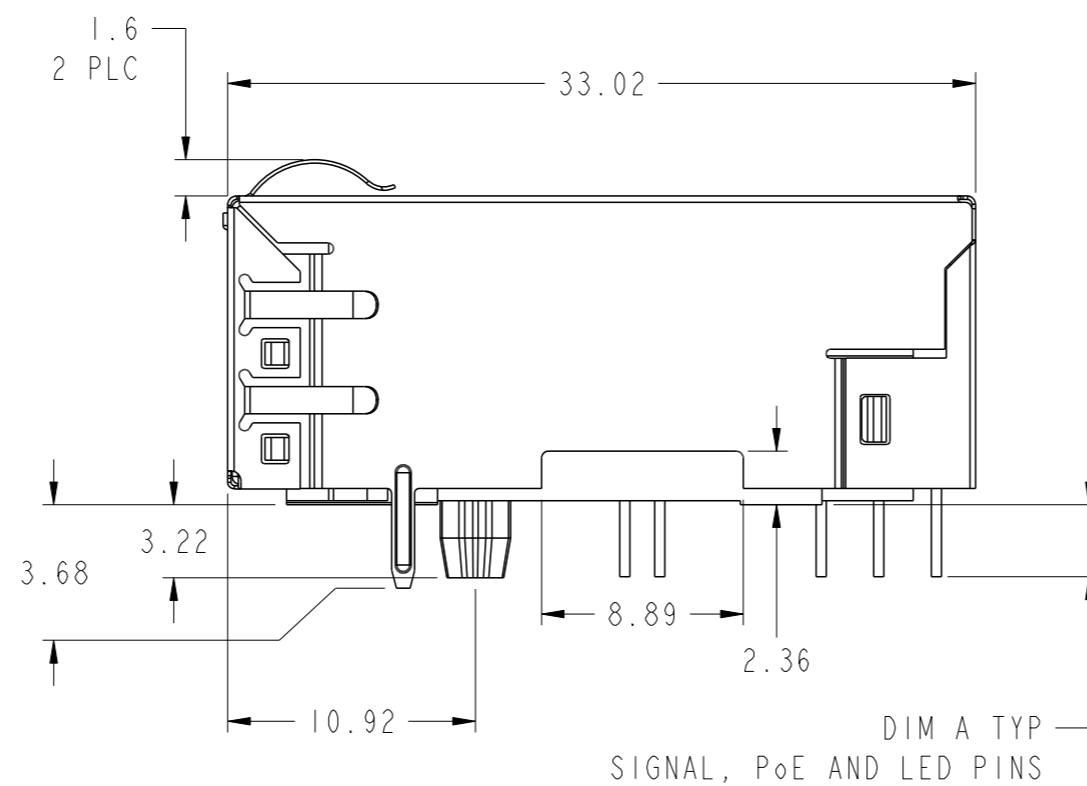
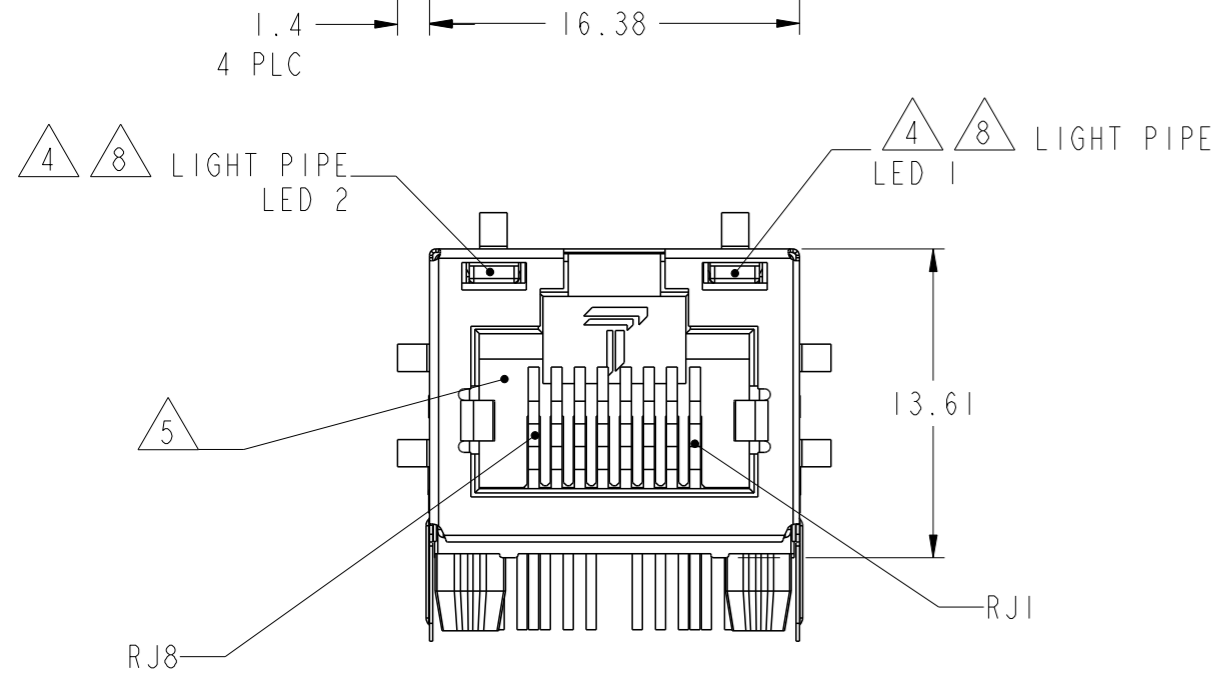
LEDs ARE DRIVEN WITH CONSTANT CURRENT AT APPROX 20mA.  
 LED COLOR:  
 DOMINANT WAVELENGTH (λ D): GREEN 567nm TYP. at IF=20mA  
 FORWARD VOLTAGE (VF): GREEN 2.2V TYP. at IF=20mA  
 DOMINANT WAVELENGTH (λ D): YELLOW 587nm TYP. at IF=20mA  
 FORWARD VOLTAGE (VF): YELLOW 2.1V TYP. at IF=20mA  
 DOMINANT WAVELENGTH (λ D): ORANGE 605 nm TYP @ IF=20 mA  
 FORWARD VOLTAGE (VF): ORANGE 2.1V TYP @ IF=20 mA

5. RJ45 CAVITY CONFORMS TO FCC RULES AND REGULATION PART 68 SUBPART F.

6. TRP CONNECTOR LOGO, PART NUMBER, DATE CODE, COUNTRY OF ORIGIN, AGENCY APPROVAL MARKING IN APPROPRIATE LOCATION SHOWN. DATE CODE: YYWWD "YY" IS YEAR, "WW" IS WORK WEEK, "D" IS DAY OF WEEK, WITH SUNDAY=1.

7. PART SHOULD BE RECOMMENDED FOR WAVE SOLDERING PROCESS, PEAK WAVE SOLDERING TEMPERATURE IS 260°C, 10 SECOND MAX.

8. LEDs AND LIGHT PIPES ARE OPTIONAL, 2250331-1 OR 2250331-5 SHOWN UNLESS OTHERWISE NOTED



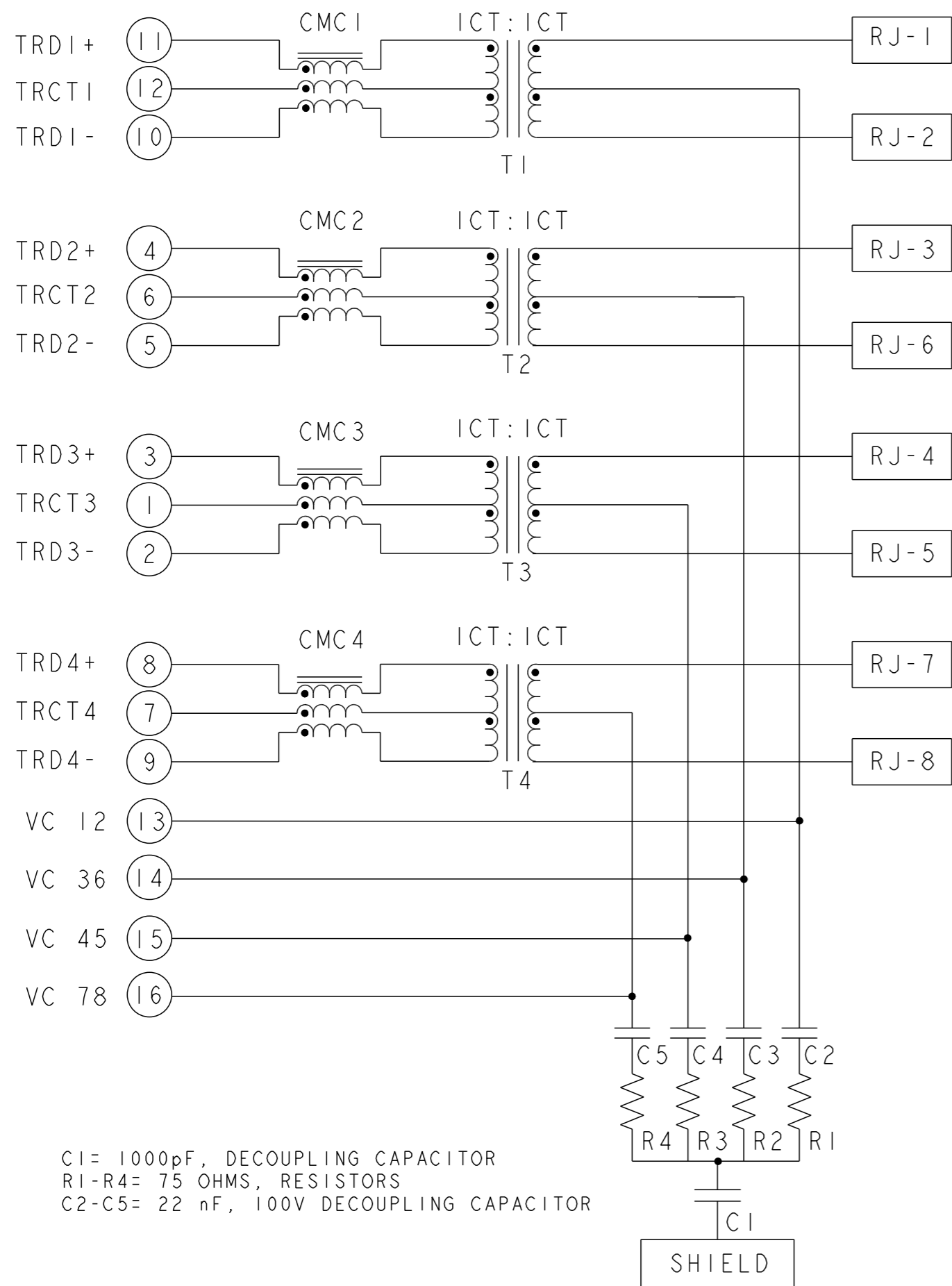
2.24	YELLOW	GREEN	YELLOW	GREEN	2250331-7
2.24	-	-	-	-	2250331-6
3.18	YELLOW	GREEN	YELLOW	GREEN	2250331-5
3.18	ORANGE	GREEN	-	-	2250331-4
2.24	-	GREEN	-	GREEN	2250331-3
3.18	-	-	-	-	2250331-2
3.18	ORANGE	GREEN	-	YELLOW	2250331-1
DIM A	20-19	20-19	18-17	18-17	PART NUMBER
	LED 2		LED 1		

THIS DRAWING IS A CONTROLLED DOCUMENT, AND COMPLIANT TO ASME Y14.5M		DWN: 27AUG2015 TOWER YU / XENIA WANG		 <b>trp</b> CONNECTOR a bel group DONGGUAN CHINA
DIMENSIONS: mm		CHK: 27AUG2015 BILL LIU		
TOLERANCES UNLESS OTHERWISE SPECIFIED:		APVD: 27AUG2015 TONY YUAN		DESC: IXI 7VQ01ET 2.5GIGABIT 4PPoE TAB UP, W/ LEDS
0 PLC ±		MODEL NAME: MAGJACK SINGLE 4PPOE		SIZE: A2
1 PLC ±0.25		DRAWING NO: C-2250331		RESTRICTED TO: -
2 PLC ±0.25		CUSTOMER DRAWING		SCALE: NTS
3 PLC ±0.25		SHEET 1 OF 3		REV 3
4 PLC ±				
ANGLES ±				
APPLICATION SPEC				

CONNECTOR ASSEMBLED TO PANEL AND PCB

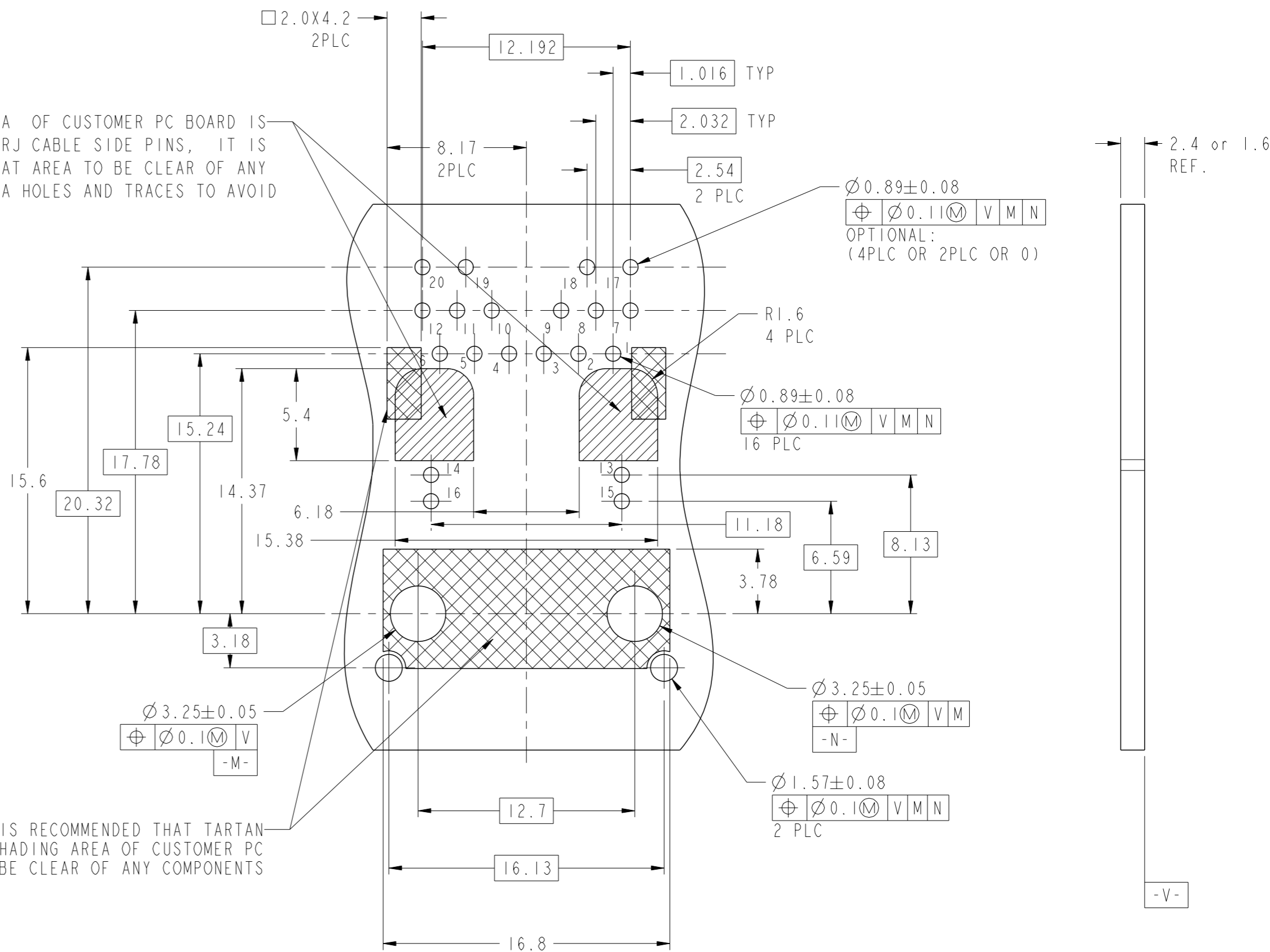
SUGGESTED PANEL CUTOUT

# 7VQT01ET 2.5GIGABIT 4PPOE CIRCUIT

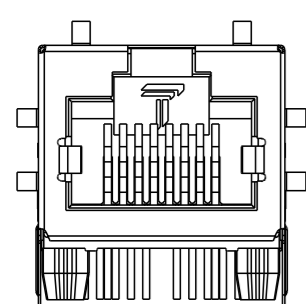


C1= 1000pF, DECOUPLING CAPACITOR  
 R1-R4= 75 OHMS, RESISTORS  
 C2-C5= 22 nF, 100V DECOUPLING CAPACITOR

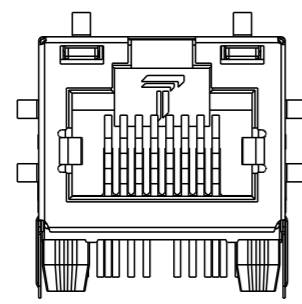
THE SHADED AREA OF CUSTOMER PC BOARD IS EQUIVALENT TO RJ CABLE SIDE PINS, IT IS RECOMMENDED THAT AREA TO BE CLEAR OF ANY COMPONENTS, VIA HOLES AND TRACES TO AVOID HI-POT FAILURE



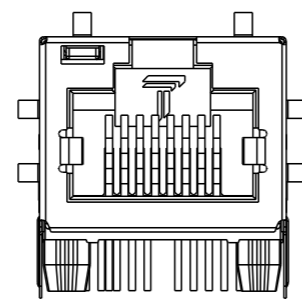
SUGGESTED PCB FOOTPRINT COMPONENT SIDE



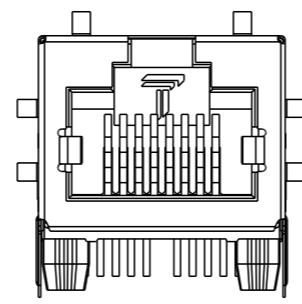
2250331-2  
(WITHOUT ANY LED)



2250331-3  
2250331-7  
(WITH BOTH LEDS)



2250331-4  
(WITH LEFT LED ONLY)



2250331-6  
(WITHOUT ANY LED)

THIS DRAWING IS A CONTROLLED DOCUMENT, AND COMPLIANT TO ASME Y14.5M

DIMENSIONS: mm	TOLERANCES UNLESS OTHERWISE SPECIFIED: 0 PLC ± 1 PLC ±0.25 2 PLC ±0.25 3 PLC ±0.25 4 PLC ± ANGLES ±
PRODUCT SPEC	APPLICATION SPEC

DWN: TOWER YU / XENIA WANG  
 CHK: BILL LIU  
 APVD: TONY YUAN  
 DATE: 27AUG2015

MODEL NAME: MAGJACK SINGLE 4PPOE




DONGGUAN CHINA

DESC: IXI 7VQT01ET 2.5GIGABIT 4PPoE TAB UP, W/ LEDS

SIZE: A2	CAGE CODE	DRAWING NO: C-2250331	RESTRICTED TO: -
----------	-----------	-----------------------	------------------

2250331_C						STOCK DISPOSITION			
						A:CONTINUE AS IS B:REWORK C:SCRAP		D:USE OLD FIRST E:PARTS TO CONFORM F:OTHER	
REVISION HISTORY									
DATE	REV	CHANGE	REASON	APPROVAL	INVENTORY (A,B,C,D,E,F)	WORK IN PROCESS (A,B,C,D)	SUPPLIER ORDERS (A,E,F)	OPEN CUST ORDERS (A,E,F)	
27AUG2015	1	-	INITIAL RELEASE	TONY YUAN	-	-	-	-	
09MAR2016	2	SHEET 2, D2: ADD SHADE AREA ON CUSTOMER BOARD	PRODUCT IMPROVEMENT	TONY YUAN	-	-	-	-	
15JUN2016	3	UPDATED VIEW FOR REDESIGN THIS PART	PRODUCT IMPROVEMENT	TONY YUAN	-	-	-	-	

THIS DRAWING IS A CONTROLLED DOCUMENT. AND COMPLIANT TO ASME Y14.5M		DWN TOWER YU / XENIA WANG 27AUG2015	 <b>trp</b> CONNECTOR a bel group	DONGGUAN CHINA												
DIMENSIONS: mm		CHK BILL LIU 27AUG2015														
TOLERANCES UNLESS OTHERWISE SPECIFIED:		APVD TONY YUAN 27AUG2015	DESC IXI 7VQ01ET 2.5GIGABIT 4PPoE TAB UP, W/ LEDS													
<table border="0"> <tr><td>0 PLC</td><td>±</td></tr> <tr><td>1 PLC</td><td>±0.25</td></tr> <tr><td>2 PLC</td><td>±0.25</td></tr> <tr><td>3 PLC</td><td>±0.25</td></tr> <tr><td>4 PLC</td><td>±</td></tr> <tr><td>ANGLES</td><td>±</td></tr> </table>		0 PLC	±	1 PLC	±0.25	2 PLC	±0.25	3 PLC	±0.25	4 PLC	±	ANGLES	±	MODEL NAME MAGJACK SINGLE 4PPOE	SIZE A2	DRAWING NO C-2250331
0 PLC	±															
1 PLC	±0.25															
2 PLC	±0.25															
3 PLC	±0.25															
4 PLC	±															
ANGLES	±															
PRODUCT SPEC -		APPLICATION SPEC -		RESTRICTED TO -												
CUSTOMER DRAWING			SCALE NTS	SHEET 3 OF 3 REV 3												