

ABBREVIATION	DESCRIPTION	COLOR	MATERIAL
A-BLACK	HOUSING, KEYING OPTION A	BLACK	SPS/NYLON GF20
B-LIGHT GRAY	HOUSING, KEYING OPTION B	LIGHT GRAY	SPS/NYLON GF20
C-BROWN	HOUSING, KEYING OPTION C	BROWN	SPS/NYLON GF20
D-GREEN	HOUSING, KEYING OPTION D	GREEN	SPS/NYLON GF20
A-YELLOW	HOUSING, KEYING OPTION A	YELLOW	SPS/NYLON GF20
C-DARK GRAY	HOUSING, KEYING OPTION C	DARK GRAY	SPS/NYLON GF20
D-STONE GRAY	HOUSING, KEYING OPTION D	STONE GRAY	SPS/NYLON GF20
GCP	GROMMET CAP (PLUGGED)	BLACK	SPS/NYLON GF20
PLR	PLR	NATURAL	SPS/NYLON GF20
M-R	MAT SEAL	RUST RED	INHERENTLY LUBRICATED SILICONE
M-B	MAT SEAL	ROYAL BLUE	INHERENTLY LUBRICATED SILICONE

FOR ADDITIONAL INFORMATION SEE SD-33482-0001

ASSEMBLY DESCRIPTION	ASSEMBLY PART NUMBER	COMPONENT				BLOCKED TERMINALS						STATUS	COMMENT	OPTIONAL ATTACHMENTS SOLD SEPARATELY			
		THE PRESENCE OF AN ABBREVIATION INDICATES THE PRESENCE OF THAT COMPONENT				CAVITY WITH A NUMBER INDICATES BLOCKED TERMINAL POSITION CAVITY WITHOUT A NUMBER INDICATES OPEN TERMINAL POSITION								BACKSHELL WITH RIBS	BACKSHELL WITHOUT RIBS		
		HOUSING KEY/COLOR	GROMMET CAP	PLR	MAT SEAL	1	6	7	12	1	6					7	12
MX150 ASSY BLD 2X6 BK A/12	334821201	A-BK	GCP	PLR	M-R	-	-	-	-	-	-	-	-	-	-	-	-
MX150 ASSY BLD 2X6 LG B/12	334821202	B-LG	GCP	PLR	M-R	-	-	-	-	-	-	-	-	-	-	-	-
MX150 ASSY BLD 2X6 BR C/12	334821203	C-	GCP	PLR	M-R	-	-	-	-	-	-	-	-	-	-	-	-
MX150 ASSY BLD 2X6 GR D/12	334821204	D-	GCP	PLR	M-R	-	-	-	-	-	-	-	-	-	-	-	-
MX150 ASSY BLD 2X6 BK A/11	334821206	A-BK	GCP	PLR	M-R	-	-	-	-	-	-	6	-	-	-	-	-
MX150 ASSY BLD 2X6 LG B/11	334821207	B-LG	GCP	PLR	M-R	-	-	-	-	-	-	6	-	-	-	-	-
MX150 ASSY BLD 2X6 BR C/11	334821208	C-	GCP	PLR	M-R	-	-	-	-	-	-	6	-	-	-	-	-
MX150 ASSY BLD 2X6 GR D/11	334821209	D-	GCP	PLR	M-R	-	-	-	-	-	-	6	-	-	-	-	-
MX150 ASSY BLD 2X6 BK A/10	334821211	A-BK	GCP	PLR	M-R	-	-	-	-	-	-	6	-	-	-	-	-
MX150 ASSY BLD 2X6 LG B/10	334821212	B-LG	GCP	PLR	M-R	7	-	-	-	-	-	6	-	-	-	-	-
MX150 ASSY BLD 2X6 BR C/10	334821213	C-	GCP	PLR	M-R	-	-	-	-	-	-	6	-	-	-	-	-
MX150 ASSY BLD 2X6 GR D/10	334821214	D-	GCP	PLR	M-R	-	-	-	-	-	-	6	-	-	-	-	-
MX150 ASSY BLD 2X6 BK A/9	334821216	A-BK	GCP	PLR	M-R	1	-	-	-	-	-	6	-	-	-	-	-
MX150 ASSY BLD 2X6 LG B/9	334821217	B-LG	GCP	PLR	M-R	1	-	-	-	-	-	6	-	-	-	-	-
MX150 ASSY BLD 2X6 BR C/9	334821218	C-	GCP	PLR	M-R	1	-	-	-	-	-	6	-	-	-	-	-
MX150 ASSY BLD 2X6 GR D/9	334821219	D-	GCP	PLR	M-R	1	-	-	-	-	-	6	-	-	-	-	-
MX150 ASSY BLD 2X6 BK A/8	334821221	A-BK	GCP	PLR	M-R	1	-	-	-	-	-	6	-	-	-	-	-
						7	-	-	-	-	-	12	-	-	-	-	-

ASSEMBLY DESCRIPTION	ASSEMBLY PART NUMBER	COMPONENT				BLOCKED TERMINALS						STATUS	COMMENT	OPTIONAL ATTACHMENTS SOLD SEPARATELY	
		THE PRESENCE OF AN ABBREVIATION INDICATES THE PRESENCE OF THAT COMPONENT				CAVITY WITH A NUMBER INDICATES BLOCKED TERMINAL POSITION CAVITY WITHOUT A NUMBER INDICATES OPEN TERMINAL POSITION								BACKSHELL WITH RIBS	BACKSHELL WITHOUT RIBS
		HOUSING KEY/COLOR	GROMMET CAP	PLR	MAT SEAL	1	2	3	4	5	6				
MX150 ASSY BLD 2X6 LG B/8	334821222	B-LG	GCP	PLR	M-R	1	-	-	-	-	6	OBSOLETE	SEE PN 334826222	N/A	N/A
MX150 ASSY BLD 2X6 BR C/8	334821223	C-	GCP	PLR	M-R	1	-	-	-	-	6	OBSOLETE	SEE PN 334826223	N/A	N/A
MX150 ASSY BLD 2X6 GR D/8	334821224	D-	GCP	PLR	M-R	1	-	-	-	-	6	OBSOLETE	SEE PN 334826224	N/A	N/A
MX150 ASSY BLD 2X6 BK A/10	334821226	A-BK	GCP	PLR	M-R	-	-	-	-	-	6	OBSOLETE	SEE PN 334826226	N/A	N/A
MX150 ASSY BLD 2X6 BK A/0	334821227	A-BK	GCP	PLR	M-R	1	2	3	4	5	6	OBSOLETE	SEE PN 334826227	N/A	N/A
MX150 ASSY BLD 2X6 LG B/0	334821228	B-LG	GCP	PLR	M-R	1	2	3	4	5	6	OBSOLETE	SEE PN 334826228	N/A	N/A
MX150 ASSY BLD 2X6 BR C/0	334821229	C-	GCP	PLR	M-R	1	2	3	4	5	6	OBSOLETE	SEE PN 334826229	N/A	N/A
MX150 ASSY BLD 2X6 GR D/0	334821230	D-	GCP	PLR	M-R	1	2	3	4	5	6	OBSOLETE	SEE PN 334826230	N/A	N/A
MX150 ASSY BLD 2X6 BK A/8	334821232	A-BK	GCP	PLR	M-R	-	2	3	-	-	-	OBSOLETE	SEE PN 334826232	N/A	N/A
MX150 ASSY BLD 2X6 BK A/5	334821233	A-BK	GCP	PLR	M-R	-	2	3	-	5	6	OBSOLETE	SEE PN 334826233	N/A	N/A
MX150 ASSY BLD 2X6 BK A/10	334821234	A-BK	GCP	PLR	M-R	-	-	-	-	-	6	OBSOLETE	SEE PN 334826211	N/A	N/A
MX150 ASSY BLD 2X6 BK A/5	334821235	A-BK	GCP	PLR	M-R	-	2	3	-	-	6	OBSOLETE	SEE PN 334826235	N/A	N/A
MX150 ASSY BLD 2X6 LG B/5	334821236	B-LG	GCP	PLR	M-R	1	-	-	-	5	6	OBSOLETE	SEE PN 334826236	N/A	N/A
MX150 ASSY BLD 2X6 BK A/11	334821237	A-BK	GCP	PLR	M-R	-	2	-	-	-	-	OBSOLETE	SEE PN 334826237	N/A	N/A
MX150 ASSY BLD 2X6 LG B/9	334821238	B-LG	GCP	PLR	M-R	-	2	-	-	-	-	OBSOLETE	SEE PN 334826238	N/A	N/A
MX150 ASSY BLD 2X6 BK A/7	334821239	A-BK	GCP	PLR	M-R	1	-	-	-	5	6	OBSOLETE	SEE PN 334826239	N/A	N/A
MX150 ASSY BLD 2X6 BK A/6	334821240	A-BK	GCP	PLR	M-R	-	2	3	-	-	-	OBSOLETE	SEE PN 334826240	N/A	N/A
MX150 ASSY BLD 2X6 BK A/7	334821241	A-BK	GCP	PLR	M-R	-	-	-	-	-	-	OBSOLETE	SEE PN 334826241	N/A	N/A
MX150 ASSY BLD 2X6 BK A/10	334821242	A-BK	GCP	PLR	M-R	-	-	-	-	-	-	OBSOLETE	SEE PN 334826242	N/A	N/A
MX150 ASSY BLD 2X6 BK A/9	334821243	A-BK	GCP	PLR	M-R	-	2	-	-	-	-	OBSOLETE	SEE PN 334826243	N/A	N/A
MX150 ASSY BLD 2X6 BK A/10	334821244	A-BK	GCP	PLR	M-R	-	2	-	4	-	-	OBSOLETE	SEE PN 334826244	N/A	N/A
MX150 ASSY BLD 2X6 BK A/8	334821245	A-BK	GCP	PLR	M-R	-	-	-	-	-	-	OBSOLETE	SEE PN 334826245	N/A	N/A
MX150 ASSY BLD 2X6 BK A/11	334821246	A-BK	GCP	PLR	M-R	-	-	-	-	-	-	OBSOLETE	SEE PN 334826246	N/A	N/A
MX150 ASSY BLD 2X6 BK A/7	334821247	A-BK	GCP	PLR	M-R	-	2	3	4	-	-	OBSOLETE	SEE PN 334826247	N/A	N/A
MX150 ASSY BLD 2X6 BK A/5	334821248	A-BK	GCP	PLR	M-R	1	-	3	4	5	6	OBSOLETE	SEE PN 334826248	N/A	N/A
MX150 ASSY BLD 2X6 BK A/9	334821249	A-BK	GCP	PLR	M-R	-	-	-	-	-	-	OBSOLETE	SEE PN 334826249	N/A	N/A
MX150 ASSY BLD 2X6 BK A/6	334821250	A-BK	GCP	PLR	M-R	-	-	-	4	5	6	OBSOLETE	SEE PN 334826250	N/A	N/A

ASSEMBLY DESCRIPTION	ASSEMBLY PART NUMBER	COMPONENT				BLOCKED TERMINALS						STATUS	COMMENT	OPTIONAL ATTACHMENTS SOLD SEPARATELY	
		THE PRESENCE OF AN ABBREVIATION INDICATES THE PRESENCE OF THAT COMPONENT				CAVITY WITH A NUMBER INDICATES BLOCKED TERMINAL POSITION CAVITY WITHOUT A NUMBER INDICATES OPEN TERMINAL POSITION								BACKSHELL WITH RIBS	BACKSHELL WITHOUT RIBS
		HOUSING KEY/COLOR	GROMMET CAP	PLR	MAT SEAL										
MX150 ASSY BLD 2X6 BK A/6	334821251	A-BK	GCP	PLR	M-R	-	2	-	4	5	-	OBSOLETE	SEE PN 334826251	N/A	N/A
MX150 ASSY BLD 2X6 BK A/11	334821252	A-BK	GCP	PLR	M-R	-	8	-	10	11	-	OBSOLETE	SEE PN 334826252	N/A	N/A
MX150 ASSY BLD 2X6 BK A/2	334821253	A-BK	GCP	PLR	M-R	-	2	3	4	5	6	OBSOLETE	SEE PN 334826253	N/A	N/A
MX150 ASSY BLD 2X6 BK A/5	334821254	A-BK	GCP	PLR	M-R	-	2	3	4	5	-	OBSOLETE	SEE PN 334826254	N/A	N/A
MX150 ASSY BLD 2X6 BK A/3	334821255	A-BK	GCP	PLR	M-R	-	2	3	4	5	6	OBSOLETE	SEE PN 334826255	N/A	N/A
MX150 ASSY BLD 2X6 BK A/8	334821256	A-BK	GCP	PLR	M-R	1	-	-	-	-	6	OBSOLETE	SEE PN 334826256	N/A	N/A
MX150 ASSY BLD 2X6 BK A/9	334821257	A-BK	GCP	PLR	M-R	-	-	9	10	-	12	OBSOLETE	SEE PN 334826257	N/A	N/A
MX150 ASSY BLD 2X6 BK A/9	334821258	A-BK	GCP	PLR	M-R	-	2	3	-	-	-	OBSOLETE	SEE PN 334826258	N/A	N/A
MX150 ASSY BLD 2X6 BK A/3	334821259	A-BK	GCP	PLR	M-R	1	2	3	4	5	-	OBSOLETE	SEE PN 334826259	N/A	N/A
MX150 ASSY BLD 2X6 BK A/10	334821260	A-BK	GCP	PLR	M-R	-	-	-	-	-	-	OBSOLETE	SEE PN 334826260	N/A	N/A
MX150 ASSY BLD 2X6 DG C/12	334821261	C-DG	GCP	PLR	M-R	-	-	-	-	-	-	OBSOLETE	SEE PN 334826261	N/A	N/A
MX150 ASSY BLD 2X6 SG D/12	334821262	D-SG	GCP	PLR	M-R	-	-	-	-	-	-	OBSOLETE	SEE PN 334826262	N/A	N/A
MX150 ASSY BLD 2X6 DG C/0	334821263	C-DG	GCP	PLR	M-R	1	2	3	4	5	6	OBSOLETE	SEE PN 334826263	N/A	N/A
MX150 ASSY BLD 2X6 SG D/0	334821264	D-SG	GCP	PLR	M-R	1	2	3	4	5	6	OBSOLETE	SEE PN 334826264	N/A	N/A
MX150 ASSY BLD 2X6 BK A/6	334821265	A-BK	GCP	PLR	M-R	-	-	-	-	-	6	OBSOLETE	SEE PN 334826265	N/A	N/A
MX150 ASSY BLD 2X6 BK A/4	334821266	A-BK	GCP	PLR	M-R	1	2	3	4	5	6	OBSOLETE	SEE PN 334826266	N/A	N/A
MX150 ASSY BLD 2X6 BK A/7	334821267	A-BK	GCP	PLR	M-R	-	-	3	4	5	6	OBSOLETE	SEE PN 334826267	N/A	N/A
MX150 ASSY BLD 2X6 BK A/3	334821268	A-BK	GCP	PLR	M-R	-	-	3	4	5	6	OBSOLETE	SEE PN 334826268	N/A	N/A
MX150 ASSY BLD 2X6 BK A/2	334821269	A-BK	GCP	PLR	M-R	1	2	3	4	5	-	OBSOLETE	SEE PN 334826269	N/A	N/A
MX150 ASSY BLD 2X6 BK A/6	334821270	A-BK	GCP	PLR	M-R	-	2	-	4	-	-	OBSOLETE	SEE PN 334826270	N/A	N/A
MX150 ASSY BLD 2X6 BK A/8	334821271	A-BK	GCP	PLR	M-R	-	2	-	-	-	-	OBSOLETE	SEE PN 334826271	N/A	N/A
MX150 ASSY BLD 2X6 BK A/7	334821272	A-BK	GCP	PLR	M-R	-	2	-	-	-	-	OBSOLETE	SEE PN 334826272	N/A	N/A
MX150 ASSY BLD 2X6 BK A/11	334821273	A-BK	GCP	PLR	M-R	-	-	-	-	-	-	OBSOLETE	SEE PN 334826273	N/A	N/A
MX150 ASSY BLD 2X6 BK A/3	334821274	A-BK	GCP	PLR	M-R	1	-	3	4	5	6	OBSOLETE	SEE PN 334826274	N/A	N/A
MX150 ASSY BLD 2X6 BK A/9	334821275	A-BK	GCP	PLR	M-R	-	-	-	4	-	-	OBSOLETE	SEE PN 334826275	N/A	N/A
MX150 ASSY BLD 2X6 BK A/3	334821276	A-BK	GCP	PLR	M-R	1	2	3	4	-	6	OBSOLETE	SEE PN 334826276	N/A	N/A
MX150 ASSY BLD 2X6 BK A/7	334821277	A-BK	GCP	PLR	M-R	1	2	3	-	-	-	OBSOLETE	SEE PN 334826277	N/A	N/A

ASSEMBLY DESCRIPTION	ASSEMBLY PART NUMBER	COMPONENT				BLOCKED TERMINALS						STATUS	COMMENT	OPTIONAL ATTACHMENTS SOLD SEPARATELY	
		THE PRESENCE OF AN ABBREVIATION INDICATES THE PRESENCE OF THAT COMPONENT				CAVITY WITH A NUMBER INDICATES BLOCKED TERMINAL POSITION CAVITY WITHOUT A NUMBER INDICATES OPEN TERMINAL POSITION								BACKSHELL WITH RIBS	BACKSHELL WITHOUT RIBS
		HOUSING KEY/COLOR	GROMMET CAP	PLR	MAT SEAL										
MX150 ASSY BLD 2X6 BK A/10	334821278	A-BK	GCP	PLR	M-R	-	-	-	-	-	6	OBSOLETE	SEE PN 334826226	N/A	N/A
MX150 ASSY BLD 2X6 BK A/2	334821279	A-BK	GCP	PLR	M-R	1	2	3	4	5	-	OBSOLETE	SEE PN 334826279	N/A	N/A
MX150 ASSY BLD 2X6 BK A/5	334821280	A-BK	GCP	PLR	M-R	1	2	3	4	5	6	OBSOLETE	SEE PN 334826280	N/A	N/A
MX150 ASSY BLD 2X6 BK A/6	334821281	A-BK	GCP	PLR	M-R	-	2	-	4	-	6	OBSOLETE	SEE PN 334826281	N/A	N/A
MX150 ASSY BLD 2X6 BK A/2	334821282	A-BK	GCP	PLR	M-R	1	2	3	4	5	6	OBSOLETE	SEE PN 334826282	N/A	N/A
MX150 ASSY BLD 2X6 BK A/7	334821283	A-BK	GCP	PLR	M-R	-	-	-	-	-	6	OBSOLETE	SEE PN 334826283	N/A	N/A
MX150 ASSY BLD 2X6 BK A/2	334821284	A-BK	GCP	PLR	M-R	1	-	3	4	5	6	OBSOLETE	SEE PN 334826284	N/A	N/A
MX150 ASSY BLD 2X6 SG D/9	334821285	D-SG	GCP	PLR	M-R	1	-	-	-	-	6	OBSOLETE	SEE PN 334826285	N/A	N/A
MX150 ASSY BLD 2X6 BK A/8	334821286	A-BK	GCP	PLR	M-R	-	2	3	-	-	-	OBSOLETE	SEE PN 334826286	N/A	N/A
MX150 ASSY BLD 2X6 BK A/10	334821287	A-BK	GCP	PLR	M-R	1	-	-	-	-	-	OBSOLETE	SEE PN 334826287	N/A	N/A
MX150 ASSY BLD 2X6 BK A/10	334821288	A-BK	GCP	PLR	M-R	1	-	-	-	-	6	OBSOLETE	SEE PN 334826288	N/A	N/A
MX150 ASSY BLD 2X6 BK A/5	334821289	A-BK	GCP	PLR	M-R	1	2	3	4	5	6	OBSOLETE	SEE PN 334826289	N/A	N/A
MX150 ASSY BLD 2X6 BK A/9	334821290	A-BK	GCP	PLR	M-R	1	-	-	-	-	-	OBSOLETE	SEE PN 334826290	N/A	N/A
MX150 ASSY BLD 2X6 BK A/3	334821291	A-BK	GCP	PLR	M-R	1	2	3	4	5	6	OBSOLETE	SEE PN 334826291	N/A	N/A
MX150 ASSY BLD 2X6 BK A/11	334821292	A-BK	GCP	PLR	M-R	-	-	-	-	-	-	OBSOLETE	SEE PN 334826292	N/A	N/A
MX150 ASSY BLD 2X6 BK A/6	334821293	A-BK	GCP	PLR	M-R	-	-	3	4	-	-	OBSOLETE	SEE PN 334826293	N/A	N/A
MX150 ASSY BLD 2X6 BK A/6	334821294	A-BK	GCP	PLR	M-R	1	2	-	-	5	6	OBSOLETE	SEE PN 334826294	N/A	N/A
MX150 ASSY BLD 2X6 BK A/4	334821295	A-BK	GCP	PLR	M-R	1	2	-	-	5	6	OBSOLETE	SEE PN 334826295	N/A	N/A
MX150 ASSY BLD 2X6 BK A/2	334821296	A-BK	GCP	PLR	M-R	1	2	3	4	5	6	OBSOLETE	SEE PN 334826296	N/A	N/A
MX150 ASSY BLD 2X6 BK A/7	334821297	A-BK	GCP	PLR	M-R	-	-	-	4	-	6	OBSOLETE	SEE PN 334826297	N/A	N/A
MX150 ASSY BLD 2X6 BK A/9	334821298	A-BK	GCP	PLR	M-R	-	-	-	-	-	6	OBSOLETE	SEE PN 334826298	N/A	N/A
MX150 ASSY BLD 2X6 BK A/8	334821299	A-BK	GCP	PLR	M-R	1	2	-	-	-	-	OBSOLETE	SEE PN 334826299	N/A	N/A
MX150 ASSY BLD 2X6 BK A/5	334821300	A-BK	GCP	PLR	M-R	1	2	3	-	-	-	OBSOLETE	SEE PN 334826300	N/A	N/A
MX150 ASSY BLD 2X6 BK A/7	334821301	A-BK	GCP	PLR	M-R	1	2	-	-	-	-	OBSOLETE	SEE PN 334826301	N/A	N/A
MX150 ASSY BLD 2X6 LG B/10	334821302	B-LG	GCP	PLR	M-R	-	-	-	-	-	-	OBSOLETE	SEE PN 334826302	N/A	N/A
MX150 ASSY BLD 2X6 BK A/3	334821303	A-BK	GCP	PLR	M-R	1	2	3	4	-	-	OBSOLETE	SEE PN 334826303	N/A	N/A
MX150 ASSY BLD 2X6 BK A/4	334821304	A-BK	GCP	PLR	M-R	1	2	3	4	-	-	OBSOLETE	SEE PN 334826304	N/A	N/A

ASSEMBLY DESCRIPTION	ASSEMBLY PART NUMBER	COMPONENT				BLOCKED TERMINALS						STATUS	COMMENT	OPTIONAL ATTACHMENTS SOLD SEPARATELY	
		THE PRESENCE OF AN ABBREVIATION INDICATES THE PRESENCE OF THAT COMPONENT				CAVITY WITH A NUMBER INDICATES BLOCKED TERMINAL POSITION CAVITY WITHOUT A NUMBER INDICATES OPEN TERMINAL POSITION								BACKSHELL WITH RIBS	BACKSHELL WITHOUT RIBS
		HOUSING KEY/COLOR	GROMMET CAP	PLR	MAT SEAL										
MX150 ASSY BLD 2X6 LG B/9	334821305	B-LG	GCP	PLR	M-R	-	-	-	-	-	-	OBSOLETE	SEE PN 334826305	N/A	N/A
MX150 ASSY BLD 2X6 LG B/2	334821306	B-LG	GCP	PLR	M-R	1	2	3	4	5	6	OBSOLETE	SEE PN 334826306	N/A	N/A
MX150 ASSY BLD 2X6 BK A/5	334821307	A-BK	GCP	PLR	M-R	1	2	3	4	5	-	OBSOLETE	SEE PN 334826307	N/A	N/A
MX150 ASSY BLD 2X6 BK A/6	334821308	A-BK	GCP	PLR	M-R	-	-	-	-	-	-	OBSOLETE	SEE PN 334826308	N/A	N/A
MX150 ASSY BLD 2X6 BK A/8	334821309	A-BK	GCP	PLR	M-R	1	-	-	-	-	-	OBSOLETE	SEE PN 334826309	N/A	N/A
MX150 ASSY BLD 2X6 BK A/9	334821310	A-BK	GCP	PLR	M-R	1	-	-	4	-	-	OBSOLETE	SEE PN 334826310	N/A	N/A
MX150 ASSY BLD 2X6 BK A/2	334821311	A-BK	GCP	PLR	M-R	1	2	-	4	5	6	OBSOLETE	SEE PN 334826311	N/A	N/A
MX150 ASSY BLD 2X6 BK A/10	334821312	A-BK	GCP	PLR	M-R	-	-	-	-	-	-	OBSOLETE	SEE PN 334826312	N/A	N/A
MX150 ASSY BLD 2X6 BK A/4	334821313	A-BK	GCP	PLR	M-R	-	-	3	4	5	6	OBSOLETE	SEE PN 334826313	N/A	N/A
MX150 ASSY BLD 2X6 BK A/6	334821314	A-BK	GCP	PLR	M-R	-	-	3	-	-	6	OBSOLETE	SEE PN 334826314	N/A	N/A
MX150 ASSY BLD 2X6 BK A/8	334821315	A-BK	GCP	PLR	M-R	-	-	-	-	-	6	OBSOLETE	SEE PN 334826315	N/A	N/A
MX150 ASSY BLD 2X6 BK A/7	334821316	A-BK	GCP	PLR	M-R	-	-	-	-	5	6	OBSOLETE	SEE PN 334826316	N/A	N/A
MX150 ASSY BLD 2X6 BK A/10	334821317	A-BK	GCP	PLR	M-R	1	2	-	-	-	-	OBSOLETE	SEE PN 334826317	N/A	N/A
MX150 ASSY BLD 2X6 BK A/4	334821318	A-BK	GCP	PLR	M-R	1	2	3	4	5	6	OBSOLETE	SEE PN 334826318	N/A	N/A
MX150 ASSY BLD 2X6 BK A/3	334821319	A-BK	GCP	PLR	M-R	1	2	3	4	5	6	OBSOLETE	SEE PN 334826319	N/A	N/A
MX150 ASSY BLD 2X6 DG C/9	334821320	C-DG	GCP	PLR	M-R	1	-	-	-	-	6	OBSOLETE	SEE PN 334826320	N/A	N/A
MX150 ASSY BLD 2X6 BR C/6	334821321	C-	GCP	PLR	M-R	1	2	3	4	5	6	OBSOLETE	SEE PN 334826321	N/A	N/A
MX150 ASSY BLD 2X6 BR C/8	334821322	C-	GCP	PLR	M-R	1	2	-	-	5	6	OBSOLETE	SEE PN 334826322	N/A	N/A
MX150 ASSY BLD 2X6 BK A/6	334821323	A-BK	GCP	PLR	M-R	-	-	3	-	-	-	OBSOLETE	SEE PN 334826323	N/A	N/A
MX150 ASSY BLD 2X6 BK A/7	334821324	A-BK	GCP	PLR	M-R	-	-	3	-	-	-	OBSOLETE	SEE PN 334826324	N/A	N/A
MX150 ASSY BLD 2X6 BK A/10	334821325	A-BK	GCP	PLR	M-R	-	-	3	-	-	-	OBSOLETE	SEE PN 334826325	N/A	N/A
MX150 ASSY BLD 2X6 BK A/7	334821326	A-BK	GCP	PLR	M-R	-	-	-	-	5	6	OBSOLETE	SEE PN 334826326	N/A	N/A
MX150 ASSY BLD 2X6 BK A/10	334821327	A-BK	GCP	PLR	M-R	-	-	-	-	-	-	OBSOLETE	SEE PN 334826327	N/A	N/A
MX150 ASSY BLD 2X6 DG C/6	334821328	C-DG	GCP	PLR	M-R	1	2	3	4	5	6	OBSOLETE	SEE PN 334826328	N/A	N/A
MX150 ASSY BLD 2X6 DG C/8	334821329	C-DG	GCP	PLR	M-R	1	2	-	-	5	6	OBSOLETE	SEE PN 334826329	N/A	N/A
MX150 ASSY BLD 2X6 BK A/4	334821330	A-BK	GCP	PLR	M-R	1	2	3	4	-	-	OBSOLETE	SEE PN 334826330	N/A	N/A
MX150 ASSY BLD 2X6 BK A/6	334821331	A-BK	GCP	PLR	M-R	1	2	-	-	-	6	OBSOLETE	SEE PN 334826331	N/A	N/A

ASSEMBLY DESCRIPTION	ASSEMBLY PART NUMBER	COMPONENT				BLOCKED TERMINALS						STATUS	COMMENT	OPTIONAL ATTACHMENTS SOLD SEPARATELY	
		THE PRESENCE OF AN ABBREVIATION INDICATES THE PRESENCE OF THAT COMPONENT				CAVITY WITH A NUMBER INDICATES BLOCKED TERMINAL POSITION CAVITY WITHOUT A NUMBER INDICATES OPEN TERMINAL POSITION								BACKSHELL WITH RIBS	BACKSHELL WITHOUT RIBS
		HOUSING KEY/COLOR	GROMMET CAP	PLR	MAT SEAL										
MX150 ASSY BLD 2X6 BK A/6	334821332	A-BK	GCP	PLR	M-R	-	-	-	4	5	-	OBSOLETE	SEE PN 334826332	N/A	N/A
MX150 ASSY BLD 2X6 BK A/9	334821333	A-BK	GCP	PLR	M-R	-	-	-	4	-	-	OBSOLETE	SEE PN 334826333	N/A	N/A
MX150 ASSY BLD 2X6 BK A/8	334821334	A-BK	GCP	PLR	M-R	-	-	-	4	5	-	OBSOLETE	SEE PN 334826334	N/A	N/A
MX150 ASSY BLD 2X6 BK A/5	334821335	A-BK	GCP	PLR	M-R	1	2	-	4	5	6	OBSOLETE	SEE PN 334826335	N/A	N/A
MX150 ASSY BLD 2X6 YW A/12	334821336	A-YW	GCP	PLR	M-R	-	-	-	-	-	-	OBSOLETE	SEE PN 334826336	N/A	N/A
MX150 ASSY BLD 2X6 LG B/10	334821337	B-LG	GCP	PLR	M-R	-	-	-	-	5	-	OBSOLETE	SEE PN 334826337	N/A	N/A
MX150 ASSY BLD 2X6 LG B/8	334821338	B-LG	GCP	PLR	M-R	-	-	-	-	5	-	OBSOLETE	SEE PN 334826338	N/A	N/A
MX150 ASSY BLD 2X6 LG B/4	334821339	B-LG	GCP	PLR	M-R	-	-	3	4	5	-	OBSOLETE	SEE PN 334826339	N/A	N/A
MX150 ASSY BLD 2X6 LG B/2	334821340	B-LG	GCP	PLR	M-R	1	2	3	4	5	-	OBSOLETE	SEE PN 334826340	N/A	N/A
MX150 ASSY BLD 2X6 BK A/6	334821341	A-BK	GCP	PLR	M-R	1	2	3	-	5	-	OBSOLETE	SEE PN 334826341	N/A	N/A
MX150 ASSY BLD 2X6 BK A/8	334821342	A-BK	GCP	PLR	M-R	-	2	3	-	5	-	OBSOLETE	SEE PN 334826342	N/A	N/A
MX150 ASSY BLD 2X6 BK A/7	334821343	A-BK	GCP	PLR	M-R	1	2	3	-	-	-	OBSOLETE	SEE PN 334826343	N/A	N/A
MX150 ASSY BLD 2X6 BK A/4	334821344	A-BK	GCP	PLR	M-R	1	2	3	4	5	-	OBSOLETE	SEE PN 334826344	N/A	N/A
MX150 ASSY BLD 2X6 BK A/6	334821345	A-BK	GCP	PLR	M-R	-	2	3	4	5	-	OBSOLETE	SEE PN 334826345	N/A	N/A
MX150 ASSY BLD 2X6 BK A/11	334821346	A-BK	GCP	PLR	M-R	1	-	-	-	-	-	OBSOLETE	SEE PN 334826346	N/A	N/A
MX150 ASSY BLD 2X6 BK A/9	334821347	A-BK	GCP	PLR	M-R	1	2	3	-	-	-	OBSOLETE	SEE PN 334826347	N/A	N/A
MX150 ASSY BLD 2X6 LG B/5	334821348	B-LG	GCP	PLR	M-R	1	2	3	4	-	6	OBSOLETE	SEE PN 334826348	N/A	N/A
MX150 ASSY BLD 2X6 BK A/9	334821349	A-BK	GCP	PLR	M-R	-	-	-	4	-	-	OBSOLETE	SEE PN 334826349	N/A	N/A
MX150 ASSY BLD 2X6 BK A/10	334821350	A-BK	GCP	PLR	M-R	-	2	-	-	-	-	OBSOLETE	SEE PN 334826350	N/A	N/A
MX150 ASSY BLD 2X6 BK A/8	334821351	A-BK	GCP	PLR	M-R	-	2	-	4	-	-	OBSOLETE	SEE PN 334826351	N/A	N/A
MX150 ASSY BLD 2X6 BK A/2	334821352	A-BK	GCP	PLR	M-R	1	2	3	4	5	6	OBSOLETE	SEE PN 334826352	N/A	N/A
MX150 ASSY BLD 2X6 BK A/7	334821353	A-BK	GCP	PLR	M-R	1	-	-	-	-	6	OBSOLETE	SEE PN 334826353	N/A	N/A
MX150 ASSY BLD 2X6 BK A/4	334821354	A-BK	GCP	PLR	M-R	-	2	3	4	-	6	OBSOLETE	SEE PN 334826354	N/A	N/A
MX150 ASSY BLD 2X6 BK A/6	334821355	A-BK	GCP	PLR	M-R	-	2	-	-	-	6	OBSOLETE	SEE PN 334826355	N/A	N/A
MX150 ASSY BLD 2X6 BK A/4	334821356	A-BK	GCP	PLR	M-R	1	2	3	4	-	6	OBSOLETE	SEE PN 334826356	N/A	N/A
MX150 ASSY BLD 2X6 BK A/10	334821357	A-BK	GCP	PLR	M-R	-	-	-	-	5	-	OBSOLETE	SEE PN 334826357	N/A	N/A
MX150 ASSY BLD 2X6 BK A/10	334821358	A-BK	GCP	PLR	M-R	-	-	-	4	-	-	OBSOLETE	SEE PN 334826358	N/A	N/A

ASSEMBLY DESCRIPTION	ASSEMBLY PART NUMBER	COMPONENT				BLOCKED TERMINALS						STATUS	COMMENT	OPTIONAL ATTACHMENTS SOLD SEPARATELY	
		THE PRESENCE OF AN ABBREVIATION INDICATES THE PRESENCE OF THAT COMPONENT				CAVITY WITH A NUMBER INDICATES BLOCKED TERMINAL POSITION CAVITY WITHOUT A NUMBER INDICATES OPEN TERMINAL POSITION								BACKSHELL WITH RIBS	BACKSHELL WITHOUT RIBS
		HOUSING KEY/COLOR	GROMMET CAP	PLR	MAT SEAL	1	2	3	4	-	6				
MX150 ASSY BLD 2X6 BK A/2	334821386	A-BK	GCP	PLR	M-R	1	2	3	4	-	6	OBSOLETE	SEE PN 334826386	N/A	N/A
MX150 ASSY BLD 2X6 BK A/2	334821387	A-BK	GCP	PLR	M-R	1	2	3	4	5	6	OBSOLETE	SEE PN 334826387	N/A	N/A
MX150 ASSY BLD 2X6 BK A/6	334821388	A-BK	GCP	PLR	M-R	1	2	3	-	-	-	OBSOLETE	SEE PN 334826388	N/A	N/A
MX150 ASSY BLD 2X6 BK A/6	334821389	A-BK	GCP	PLR	M-R	1	2	3	-	-	6	OBSOLETE	SEE PN 334826389	N/A	N/A
MX150 ASSY BLD 2X6 BK A/8	334821390	A-BK	GCP	PLR	M-R	1	-	3	4	-	-	OBSOLETE	SEE PN 334826390	N/A	N/A
MX150 ASSY BLD 2X6 BK A/5	334821391	A-BK	GCP	PLR	M-R	1	2	3	-	-	6	OBSOLETE	SEE PN 334826391	N/A	N/A
MX150 ASSY BLD 2X6 BK A/7	334821392	A-BK	GCP	PLR	M-R	1	-	3	4	-	-	OBSOLETE	SEE PN 334826392	N/A	N/A
MX150 ASSY BLD 2X6 BK A/7	334821393	A-BK	GCP	PLR	M-R	-	-	-	4	5	-	OBSOLETE	SEE PN 334826393	N/A	N/A
MX150 ASSY BLD 2X6 LG B/3	334821394	B-LG	GCP	PLR	M-R	1	2	3	4	-	-	OBSOLETE	SEE PN 334826394	N/A	N/A
MX150 ASSY BLD 2X6 LG B/5	334821395	B-LG	GCP	PLR	M-R	1	2	3	4	-	-	OBSOLETE	SEE PN 334826395	N/A	N/A
MX150 ASSY BLD 2X6 BK A/6	334821396	A-BK	GCP	PLR	M-R	1	-	-	-	-	6	OBSOLETE	SEE PN 334826396	N/A	N/A
MX150 ASSY BLD 2X6 BK A/9	334821397	A-BK	GCP	PLR	M-R	-	-	-	4	-	6	OBSOLETE	SEE PN 334826397	N/A	N/A
MX150 ASSY BLD 2X6 BK A/6	334821398	A-BK	GCP	PLR	M-R	-	-	-	4	5	6	OBSOLETE	SEE PN 334826398	N/A	N/A
MX150 ASSY BLD 2X6 BK A/2	334821399	A-BK	GCP	PLR	M-R	1	2	3	4	5	6	OBSOLETE	SEE PN 334826399	N/A	N/A
MX150 ASSY BLD 2X6 BK A/7	334821400	A-BK	GCP	PLR	M-R	1	2	3	-	-	-	OBSOLETE	SEE PN 334826400	N/A	N/A
MX150 ASSY BLD 2X6 BK A/5	334821401	A-BK	GCP	PLR	M-R	1	2	3	-	-	-	OBSOLETE	SEE PN 334826401	N/A	N/A
MX150 ASSY BLD 2X6 BK A/8	334821402	A-BK	GCP	PLR	M-R	-	-	-	4	5	6	OBSOLETE	SEE PN 334826402	N/A	N/A
MX150 ASSY BLD 2X6 BK A/4	334821403	A-BK	GCP	PLR	M-R	-	-	-	-	5	6	OBSOLETE	SEE PN 334826403	N/A	N/A
MX150 ASSY BLD 2X6 BK A/7	334821404	A-BK	GCP	PLR	M-R	-	-	-	-	5	6	OBSOLETE	SEE PN 334826404	N/A	N/A
MX150 ASSY BLD 2X6 BK A/9	334821405	A-BK	GCP	PLR	M-R	-	-	-	-	-	-	OBSOLETE	SEE PN 334826405	N/A	N/A
MX150 ASSY BLD 2X6 BK A/3	334821406	A-BK	GCP	PLR	M-R	-	2	3	-	5	6	OBSOLETE	SEE PN 334826406	N/A	N/A
MX150 ASSY BLD 2X6 BK A/8	334821407	A-BK	GCP	PLR	M-R	-	-	3	-	-	-	OBSOLETE	SEE PN 334826407	N/A	N/A
MX150 ASSY BLD 2X6 BK A/4	334821408	A-BK	GCP	PLR	M-R	-	-	-	4	5	6	OBSOLETE	SEE PN 334826408	N/A	N/A
MX150 ASSY BLD 2X6 BK A/3	334821409	A-BK	GCP	PLR	M-R	-	-	3	4	5	6	OBSOLETE	SEE PN 334826409	N/A	N/A
MX150 ASSY BLD 2X6 BK A/6	334821410	A-BK	GCP	PLR	M-R	1	2	3	4	-	-	OBSOLETE	SEE PN 334826410	N/A	N/A
MX150 ASSY BLD 2X6 BK A/9	334821411	A-BK	GCP	PLR	M-R	-	2	3	-	-	-	OBSOLETE	SEE PN 334826411	N/A	N/A
MX150 ASSY BLD 2X6 BK A/9	334821412	A-BK	GCP	PLR	M-R	-	-	-	-	-	-	OBSOLETE	SEE PN 334826412	N/A	N/A

ASSEMBLY DESCRIPTION	ASSEMBLY PART NUMBER	COMPONENT				BLOCKED TERMINALS						STATUS	COMMENT	OPTIONAL ATTACHMENTS SOLD SEPARATELY						
		THE PRESENCE OF AN ABBREVIATION INDICATES THE PRESENCE OF THAT COMPONENT				CAVITY WITH A NUMBER INDICATES BLOCKED TERMINAL POSITION CAVITY WITHOUT A NUMBER INDICATES OPEN TERMINAL POSITION								BACKSHELL WITH RIBS	BACKSHELL WITHOUT RIBS					
		HOUSING KEY/COLOR	GROMMET CAP	PLR	MAT SEAL	1	2	3	4	5	6					7	8	9	10	11
MX150 ASSY BLD 2X6 BK A/8	334821413	A-BK	GCP	PLR	M-R	1	-	3	-	5	-	-	-	-	-	-	OBSOLETE	SEE PN 334826413	N/A	N/A
MX150 ASSY BLD 2X6 BK A/6	334821414	A-BK	GCP	PLR	M-R	1	-	3	-	5	-	-	-	-	-	-	OBSOLETE	SEE PN 334826414	N/A	N/A
MX150 ASSY BLD 2X6 BK A/4	334821415	A-BK	GCP	PLR	M-R	-	2	3	-	5	6	-	-	-	-	-	OBSOLETE	SEE PN 334826415	N/A	N/A
MX150 ASSY BLD 2X6 BK A/5	334821416	A-BK	GCP	PLR	M-R	1	-	-	4	5	6	-	-	-	-	-	OBSOLETE	SEE PN 334826416	N/A	N/A
MX150 ASSY BLD 2X6 BK A/6	334821417	A-BK	GCP	PLR	M-R	1	-	-	4	5	-	-	-	-	-	-	OBSOLETE	SEE PN 334826417	N/A	N/A
MX150 ASSY BLD 2X6 BK A/3	334821418	A-BK	GCP	PLR	M-R	1	2	3	4	5	-	-	-	-	-	-	OBSOLETE	SEE PN 334826418	N/A	N/A
MX150 ASSY BLD 2X6 BK A/3	334821419	A-BK	GCP	PLR	M-R	-	2	3	-	5	6	-	-	-	-	-	OBSOLETE	SEE PN 334826406	N/A	N/A
MX150 ASSY BLD 2X6 BK A/6	334821420	A-BK	GCP	PLR	M-R	1	2	3	4	-	-	-	-	-	-	-	OBSOLETE	SEE PN 334826410	N/A	N/A
MX150 ASSY BLD 2X6 BK A/9	334821421	A-BK	GCP	PLR	M-R	-	2	3	-	-	-	-	-	-	-	-	OBSOLETE	SEE PN 334826411	N/A	N/A
MX150 ASSY BLD 2X6 BK A/9	334821422	A-BK	GCP	PLR	M-R	-	-	-	-	-	-	-	-	-	-	-	OBSOLETE	SEE PN 334826412	N/A	N/A
MX150 ASSY BLD 2X6 BK A/8	334821423	A-BK	GCP	PLR	M-R	1	-	3	-	5	-	-	-	-	-	-	OBSOLETE	SEE PN 334826413	N/A	N/A
MX150 ASSY BLD 2X6 BK A/6	334821424	A-BK	GCP	PLR	M-R	1	-	3	-	5	-	-	-	-	-	-	OBSOLETE	SEE PN 334826414	N/A	N/A
MX150 ASSY BLD 2X6 BK A/3	334821425	A-BK	GCP	PLR	M-R	-	2	-	4	-	6	-	-	-	-	-	OBSOLETE	SEE PN 334826425	N/A	N/A
MX150 ASSY BLD 2X6 BK A/8	334821426	A-BK	GCP	PLR	M-R	-	-	3	4	-	-	-	-	-	-	-	OBSOLETE	SEE PN 334826385	N/A	N/A
MX150 ASSY BLD 2X6 BK A/6	334821427	A-BK	GCP	PLR	M-R	-	-	3	4	-	-	-	-	-	-	-	OBSOLETE	SEE PN 334826293	N/A	N/A
MX150 ASSY BLD 2X6 BK A/4	334821428	A-BK	GCP	PLR	M-R	1	2	-	-	5	6	-	-	-	-	-	OBSOLETE	SEE PN 334826428	N/A	N/A
MX150 ASSY BLD 2X6 BK A/10	334821429	A-BK	GCP	PLR	M-R	-	-	-	-	-	-	-	-	-	-	-	OBSOLETE	SEE PN 334826429	N/A	N/A
MX150 ASSY BLD 2X6 BK A/6	334821430	A-BK	GCP	PLR	M-R	-	-	3	4	5	6	-	-	-	-	-	OBSOLETE	SEE PN 334826430	N/A	N/A
MX150 ASSY BLD 2X6 LG B/5	334821431	B-LG	GCP	PLR	M-R	1	2	3	4	-	-	-	-	-	-	-	OBSOLETE	SEE PN 334826431	N/A	N/A
MX150 ASSY BLD 2X6 LG B/7	334821432	B-LG	GCP	PLR	M-R	1	2	3	4	-	-	-	-	-	-	-	OBSOLETE	SEE PN 334826432	N/A	N/A
MX150 ASSY BLD 2X6 BK A/9	334821433	A-BK	GCP	PLR	M-R	-	-	-	-	-	-	-	-	-	-	-	OBSOLETE	SEE PN 334826249	N/A	N/A
MX150 ASSY BLD 2X6 LG B/8	334821434	B-LG	GCP	PLR	M-R	-	-	-	-	-	-	-	-	-	-	-	OBSOLETE	SEE PN 334826434	N/A	N/A
MX150 ASSY BLD 2X6 BK A/6	334821435	A-BK	GCP	PLR	M-R	-	-	-	-	-	-	-	-	-	-	-	OBSOLETE	SEE PN 334826308	N/A	N/A
MX150 ASSY BLD 2X6 BK A/6	334821436	A-BK	GCP	PLR	M-R	-	2	-	-	-	-	-	-	-	-	-	OBSOLETE	SEE PN 334826436	N/A	N/A
MX150 ASSY BLD 2X6 BK A/9	334821437	A-BK	GCP	PLR	M-R	-	2	-	-	-	-	-	-	-	-	-	OBSOLETE	SEE PN 334826437	N/A	N/A
MX150 ASSY BLD 2X6 LG B/5	334821438	B-LG	GCP	PLR	M-R	1	2	3	4	-	-	-	-	-	-	-	OBSOLETE	SEE PN 334826431	N/A	N/A
MX150 ASSY BLD 2X6 LG B/7	334821439	B-LG	GCP	PLR	M-R	1	2	3	4	-	-	-	-	-	-	-	OBSOLETE	SEE PN 334826432	N/A	N/A

ASSEMBLY DESCRIPTION	ASSEMBLY PART NUMBER	COMPONENT				BLOCKED TERMINALS						STATUS	COMMENT	OPTIONAL ATTACHMENTS SOLD SEPARATELY	
		THE PRESENCE OF AN ABBREVIATION INDICATES THE PRESENCE OF THAT COMPONENT				CAVITY WITH A NUMBER INDICATES BLOCKED TERMINAL POSITION CAVITY WITHOUT A NUMBER INDICATES OPEN TERMINAL POSITION								BACKSHELL WITH RIBS	BACKSHELL WITHOUT RIBS
		HOUSING KEY/COLOR	GROMMET CAP	PLR	MAT SEAL	1	2	3	4	5	6				
MX150 ASSY BLD 2X6 BK A/7	334821440	A-BK	GCP	PLR	M-R	1	2	-	-	-	6	OBSOLETE	SEE PN 334826440	N/A	N/A
MX150 ASSY BLD 2X6 BK A/4	334821441	A-BK	GCP	PLR	M-R	1	2	3	-	-	6	OBSOLETE	SEE PN 334826370	N/A	N/A
MX150 ASSY BLD 2X6 BK A/8	334821442	A-BK	GCP	PLR	M-R	-	2	-	4	-	6	OBSOLETE	SEE PN 334826442	N/A	N/A
MX150 ASSY BLD 2X6 BK A/9	334821443	A-BK	GCP	PLR	M-R	-	2	-	4	-	6	OBSOLETE	SEE PN 334826443	N/A	N/A
MX150 ASSY BLD 2X6 BK A/7	334821444	A-BK	GCP	PLR	M-R	-	-	3	4	-	6	OBSOLETE	SEE PN 334826444	N/A	N/A
MX150 ASSY BLD 2X6 BK A/6	334821445	A-BK	GCP	PLR	M-R	-	-	-	4	-	-	OBSOLETE	SEE PN 334826445	N/A	N/A
MX150 ASSY BLD 2X6 DG C/10	334821446	C-DG	GCP	PLR	M-R	-	-	3	4	-	-	OBSOLETE	SEE PN 334826446	N/A	N/A
MX150 ASSY BLD 2X6 BK A/5	334821447	A-BK	GCP	PLR	M-R	1	2	3	-	-	6	OBSOLETE	SEE PN 334826447	N/A	N/A
MX150 ASSY BLD 2X6 BK A/6	334821448	A-BK	GCP	PLR	M-R	-	-	-	-	5	6	OBSOLETE	SEE PN 334826448	N/A	N/A
MX150 ASSY BLD 2X6 LG B/8	334821449	B-LG	GCP	PLR	M-R	-	-	-	-	-	-	OBSOLETE	SEE PN 334826449	N/A	N/A
MX150 ASSY BLD 2X6 BK A/3	334821450	A-BK	GCP	PLR	M-R	-	2	3	-	5	6	OBSOLETE	SEE PN 334826450	N/A	N/A
MX150 ASSY BLD 2X6 BK A/8	334821451	A-BK	GCP	PLR	M-R	-	-	-	-	5	6	OBSOLETE	SEE PN 334826451	N/A	N/A
MX150 ASSY BLD 2X6 BK A/5	334821452	A-BK	GCP	PLR	M-R	-	-	3	4	-	-	OBSOLETE	SEE PN 334826452	N/A	N/A
MX150 ASSY BLD 2X6 BK A/3	334821453	A-BK	GCP	PLR	M-R	1	2	3	4	-	-	OBSOLETE	SEE PN 334826453	N/A	N/A
MX150 ASSY BLD 2X6 BK A/5	334821454	A-BK	GCP	PLR	M-R	1	-	3	4	-	-	OBSOLETE	SEE PN 334826454	N/A	N/A
MX150 ASSY BLD 2X6 BK A/7	334821455	A-BK	GCP	PLR	M-R	1	-	-	4	-	-	OBSOLETE	SEE PN 334826455	N/A	N/A
MX150 ASSY BLD 2X6 BK A/6	334821456	A-BK	GCP	PLR	M-R	1	2	-	4	5	6	OBSOLETE	SEE PN 334826456	N/A	N/A
MX150 ASSY BLD 2X6 BK A/6	334821457	A-BK	GCP	PLR	M-R	-	2	-	4	5	6	OBSOLETE	SEE PN 334826457	N/A	N/A
MX150 ASSY BLD 2X6 BK A/9	334821458	A-BK	GCP	PLR	M-R	-	2	-	-	-	6	OBSOLETE	SEE PN 334826458	N/A	N/A
MX150 ASSY BLD 2X6 BK A/8	334821459	A-BK	GCP	PLR	M-R	-	-	3	-	-	-	OBSOLETE	SEE PN 334826459	N/A	N/A
MX150 ASSY BLD 2X6 BK A/8	334821460	A-BK	GCP	PLR	M-R	1	-	-	-	-	-	OBSOLETE	SEE PN 334826460	N/A	N/A
MX150 ASSY BLD 2X6 BK A/6	334821461	A-BK	GCP	PLR	M-R	-	2	-	-	5	6	OBSOLETE	SEE PN 334826461	N/A	N/A
MX150 ASSY BLD 2X6 BK A/4	334821462	A-BK	GCP	PLR	M-R	-	2	3	-	5	6	OBSOLETE	SEE PN 334826462	N/A	N/A
MX150 ASSY BLD 2X6 BK A/4	334821463	A-BK	GCP	PLR	M-R	1	2	-	4	5	6	OBSOLETE	SEE PN 334826463	N/A	N/A
MX150 ASSY BLD 2X6 BK A/2	334821464	A-BK	GCP	PLR	M-R	1	2	-	4	5	6	OBSOLETE	SEE PN 334826464	N/A	N/A
MX150 ASSY BLD 2X6 BK A/2	334821465	A-BK	GCP	PLR	M-R	1	2	3	4	5	6	OBSOLETE	SEE PN 334826465	N/A	N/A
MX150 ASSY BLD 2X6 BK A/11	334821466	A-BK	GCP	PLR	M-R	-	-	-	-	-	-	OBSOLETE	SEE PN 334826466	N/A	N/A

ASSEMBLY DESCRIPTION	ASSEMBLY PART NUMBER	COMPONENT				BLOCKED TERMINALS						STATUS	COMMENT	OPTIONAL ATTACHMENTS SOLD SEPARATELY	
		THE PRESENCE OF AN ABBREVIATION INDICATES THE PRESENCE OF THAT COMPONENT				CAVITY WITH A NUMBER INDICATES BLOCKED TERMINAL POSITION CAVITY WITHOUT A NUMBER INDICATES OPEN TERMINAL POSITION								BACKSHELL WITH RIBS	BACKSHELL WITHOUT RIBS
		HOUSING KEY/COLOR	GROMMET CAP	PLR	MAT SEAL										
MX150 ASSY BLD 2X6 BK A/9	334821467	A-BK	GCP	PLR	M-R	-	2	3	4	-	-	OBSOLETE	SEE PN 334826467	N/A	N/A
MX150 ASSY BLD 2X6 BK A/6	334821468	A-BK	GCP	PLR	M-R	-	-	-	4	5	-	OBSOLETE	SEE PN 334826468	N/A	N/A
MX150 ASSY BLD 2X6 BK A/9	334821469	A-BK	GCP	PLR	M-R	-	8	-	10	11	12	OBSOLETE	SEE PN 334826469	N/A	N/A
MX150 ASSY BLD 2X6 BK A/8	334821470	A-BK	GCP	PLR	M-R	1	-	-	-	-	-	OBSOLETE	SEE PN 334826470	N/A	N/A
MX150 ASSY BLD 2X6 DG C/9	334821471	C-DG	GCP	PLR	M-R	-	-	9	10	-	-	OBSOLETE	SEE PN 334826471	N/A	N/A
MX150 ASSY BLD 2X6 BK A/4	334821472	A-BK	GCP	PLR	M-R	-	-	-	-	-	-	OBSOLETE	SEE PN 334826472	N/A	N/A
MX150 ASSY BLD 2X6 BK A/7	334821473	A-BK	GCP	PLR	M-R	7	8	9	-	-	12	OBSOLETE	SEE PN 334826473	N/A	N/A
MX150 ASSY BLD 2X6 BK A/7	334821474	A-BK	GCP	PLR	M-R	-	-	3	4	-	-	OBSOLETE	SEE PN 334826474	N/A	N/A
MX150 ASSY BLD 2X6 BK A/11	334821475	A-BK	GCP	PLR	M-R	-	8	-	-	-	-	OBSOLETE	SEE PN 334826475	N/A	N/A
MX150 ASSY BLD 2X6 BK A/9	334821476	A-BK	GCP	PLR	M-R	1	2	-	-	-	-	OBSOLETE	SEE PN 334826476	N/A	N/A
MX150 ASSY BLD 2X6 BK A/5	334821477	A-BK	GCP	PLR	M-R	7	8	9	10	11	12	OBSOLETE	SEE PN 334826477	N/A	N/A
MX150 ASSY BLD 2X6 BK A/9	334821478	A-BK	GCP	PLR	M-R	-	-	-	-	5	-	OBSOLETE	SEE PN 334826478	N/A	N/A
MX150 ASSY BLD 2X6 BK A/9	334821479	A-BK	GCP	PLR	M-R	7	8	9	-	11	-	OBSOLETE	SEE PN 334826479	N/A	N/A
MX150 ASSY BLD 2X6 BK A/7	334821480	A-BK	GCP	PLR	M-R	1	2	-	-	5	-	OBSOLETE	SEE PN 334826480	N/A	N/A
MX150 ASSY BLD 2X6 BK A/5	334821481	A-BK	GCP	PLR	M-R	-	-	-	10	-	12	OBSOLETE	SEE PN 334826481	N/A	N/A
MX150 ASSY BLD 2X6 BK A/3	334821482	A-BK	GCP	PLR	M-R	-	-	3	4	5	-	OBSOLETE	SEE PN 334826482	N/A	N/A
MX150 ASSY BLD 2X6 LG B/6	334821483	B-LG	GCP	PLR	M-R	-	-	-	-	-	-	OBSOLETE	SEE PN 334826483	N/A	N/A
MX150 ASSY BLD 2X6 LG B/4	334821484	B-LG	GCP	PLR	M-R	1	2	-	-	5	-	OBSOLETE	SEE PN 334826484	N/A	N/A
MX150 ASSY BLD 2X6 LG B/3	334821485	B-LG	GCP	PLR	M-R	7	8	9	10	11	12	OBSOLETE	SEE PN 334826485	N/A	N/A
MX150 ASSY BLD 2X6 BK A/3	334821486	A-BK	GCP	PLR	M-R	1	-	-	4	5	6	OBSOLETE	SEE PN 334826486	N/A	N/A
MX150 ASSY BLD 2X6 BK A/9	334821487	A-BK	GCP	PLR	M-R	7	8	-	-	11	-	OBSOLETE	SEE PN 334826487	N/A	N/A
MX150 ASSY BLD 2X6 BK A/7	334821489	A-BK	GCP	PLR	M-R	1	2	3	4	-	-	OBSOLETE	SEE PN 334826489	N/A	N/A
MX150 ASSY BLD 2X6 BK A/6	334821490	A-BK	GCP	PLR	M-R	-	-	-	-	11	12	OBSOLETE	SEE PN 334826490	N/A	N/A
MX150 ASSY BLD 2X6 BK A/7	334821491	A-BK	GCP	PLR	M-R	1	2	3	4	-	-	OBSOLETE	SEE PN 334826491	N/A	N/A
MX150 ASSY BLD 2X6 BK A/8	334821492	A-BK	GCP	PLR	M-R	-	-	9	-	-	-	OBSOLETE	SEE PN 334826492	N/A	N/A
MX150 ASSY BLD 2X6 BK A/6	334821493	A-BK	GCP	PLR	M-R	7	8	9	10	11	12	OBSOLETE	SEE PN 334826493	N/A	N/A
MX150 ASSY BLD 2X6 BK A/8	334821494	A-BK	GCP	PLR	M-R	-	-	-	-	5	-	OBSOLETE	SEE PN 334826494	N/A	N/A
MX150 ASSY BLD 2X6 BK A/8	334821494	A-BK	GCP	PLR	M-R	-	-	9	10	11	-	OBSOLETE	SEE PN 334826494	N/A	N/A

ASSEMBLY DESCRIPTION	ASSEMBLY PART NUMBER	COMPONENT				BLOCKED TERMINALS						STATUS	COMMENT	OPTIONAL ATTACHMENTS SOLD SEPARATELY	
		THE PRESENCE OF AN ABBREVIATION INDICATES THE PRESENCE OF THAT COMPONENT				CAVITY WITH A NUMBER INDICATES BLOCKED TERMINAL POSITION CAVITY WITHOUT A NUMBER INDICATES OPEN TERMINAL POSITION								BACKSHELL WITH RIBS	BACKSHELL WITHOUT RIBS
		HOUSING KEY/COLOR	GROMMET CAP	PLR	MAT SEAL	1	2	3	4	5	6				
MX150 ASSY BLD 2X6 BK A/2	334821495	A-BK	GCP	PLR	M-R	1	2	3	4	5	6	OBSOLETE	SEE PN 334826495	N/A	N/A
MX150 ASSY BLD 2X6 BK A/3	334821496	A-BK	GCP	PLR	M-R	1	2	3	4	-	6	OBSOLETE	SEE PN 334826496	N/A	N/A
MX150 ASSY BLD 2X6 BK A/9	334821497	A-BK	GCP	PLR	M-R	-	-	-	-	-	-	OBSOLETE	SEE PN 334826497	N/A	N/A
MX150 ASSY BLD 2X6 BK A/3	334821498	A-BK	GCP	PLR	M-R	1	2	-	4	5	6	OBSOLETE	SEE PN 334826498	N/A	N/A
MX150 ASSY BLD 2X6 BK A/8	334821499	A-BK	GCP	PLR	M-R	-	-	3	-	-	-	OBSOLETE	SEE PN 334826499	N/A	N/A
MX150 ASSY BLD 2X6 BK A/8	334821500	A-BK	GCP	PLR	M-R	-	2	-	-	5	-	OBSOLETE	SEE PN 334826500	N/A	N/A
MX150 ASSY BLD 2X6 BK A/10	334821501	A-BK	GCP	PLR	M-R	-	-	-	4	-	-	OBSOLETE	SEE PN 334826501	N/A	N/A
MX150 ASSY BLD 2X6 BK A/9	334821502	A-BK	GCP	PLR	M-R	-	-	-	4	-	6	OBSOLETE	SEE PN 334826502	N/A	N/A
MX150 ASSY BLD 2X6 BK A/9	334821503	A-BK	GCP	PLR	M-R	-	-	-	-	-	6	OBSOLETE	SEE PN 334826503	N/A	N/A
MX150 ASSY BLD 2X6 BK A/2	334821504	A-BK	GCP	PLR	M-R	-	2	3	4	5	6	OBSOLETE	SEE PN 334826504	N/A	N/A
MX150 ASSY BLD 2X6 LG B/6	334821505	B-LG	GCP	PLR	M-R	-	-	-	-	5	-	OBSOLETE	SEE PN 334826505	N/A	N/A
MX150 ASSY BLD 2X6 BK A/9	334821506	A-BK	GCP	PLR	M-R	-	-	-	-	-	-	OBSOLETE	SEE PN 334826506	N/A	N/A
MX150 ASSY BLD 2X6 BK A/6	334821507	A-BK	GCP	PLR	M-R	1	2	-	4	5	6	OBSOLETE	SEE PN 334826507	N/A	N/A
MX150 ASSY BLD 2X6 BK A/12	334826201	A-BK	GCP	PLR	M-B	-	-	-	-	-	-	SALEABLE		N/A	N/A
MX150 ASSY BLD 2X6 LG B/12	334826202	B-LG	GCP	PLR	M-B	-	-	-	-	-	-	SALEABLE		N/A	N/A
MX150 ASSY BLD 2X6 BR C/12	334826203	C-	GCP	PLR	M-B	-	-	-	-	-	-	SALEABLE		N/A	N/A
MX150 ASSY BLD 2X6 GR D/12	334826204	D-	GCP	PLR	M-B	-	-	-	-	-	-	SALEABLE		N/A	N/A
MX150 ASSY BLD 2X6 BK A/11	334826206	A-BK	GCP	PLR	M-B	-	-	-	-	-	6	SALEABLE		N/A	N/A
MX150 ASSY BLD 2X6 LG B/11	334826207	B-LG	GCP	PLR	M-B	-	-	-	-	-	6	SALEABLE		N/A	N/A
MX150 ASSY BLD 2X6 BR C/11	334826208	C-	GCP	PLR	M-B	-	-	-	-	-	6	SALEABLE		N/A	N/A
MX150 ASSY BLD 2X6 GR D/11	334826209	D-	GCP	PLR	M-B	-	-	-	-	-	6	SALEABLE		N/A	N/A
MX150 ASSY BLD 2X6 BK A/10	334826211	A-BK	GCP	PLR	M-B	-	-	-	-	-	6	SALEABLE		N/A	N/A
MX150 ASSY BLD 2X6 LG B/10	334826212	B-LG	GCP	PLR	M-B	-	-	-	-	-	6	SALEABLE		N/A	N/A
MX150 ASSY BLD 2X6 BR C/10	334826213	C-	GCP	PLR	M-B	-	-	-	-	-	6	SALEABLE		N/A	N/A
MX150 ASSY BLD 2X6 GR D/10	334826214	D-	GCP	PLR	M-B	-	-	-	-	-	6	SALEABLE		N/A	N/A
MX150 ASSY BLD 2X6 BK A/9	334826216	A-BK	GCP	PLR	M-B	1	-	-	-	-	6	SALEABLE		N/A	N/A
MX150 ASSY BLD 2X6 LG B/9	334826217	B-LG	GCP	PLR	M-B	1	-	-	-	-	6	SALEABLE		N/A	N/A

ASSEMBLY DESCRIPTION	ASSEMBLY PART NUMBER	COMPONENT				BLOCKED TERMINALS						STATUS	COMMENT	OPTIONAL ATTACHMENTS SOLD SEPARATELY	
		THE PRESENCE OF AN ABBREVIATION INDICATES THE PRESENCE OF THAT COMPONENT				CAVITY WITH A NUMBER INDICATES BLOCKED TERMINAL POSITION CAVITY WITHOUT A NUMBER INDICATES OPEN TERMINAL POSITION								BACKSHELL WITH RIBS	BACKSHELL WITHOUT RIBS
		HOUSING KEY/COLOR	GROMMET CAP	PLR	MAT SEAL	1	2	3	4	5	6				
MX150 ASSY BLD 2X6 BR C/9	334826218	C-	GCP	PLR	M-B	1	-	-	-	-	6	SALEABLE		N/A	N/A
MX150 ASSY BLD 2X6 GR D/9	334826219	D-	GCP	PLR	M-B	1	-	-	-	-	6	SALEABLE		N/A	N/A
MX150 ASSY BLD 2X6 BK A/8	334826221	A-BK	GCP	PLR	M-B	1	-	-	-	-	6	SALEABLE		N/A	N/A
MX150 ASSY BLD 2X6 LG B/8	334826222	B-LG	GCP	PLR	M-B	1	-	-	-	-	6	SALEABLE		N/A	N/A
MX150 ASSY BLD 2X6 BR C/8	334826223	C-	GCP	PLR	M-B	1	-	-	-	-	6	SALEABLE		N/A	N/A
MX150 ASSY BLD 2X6 GR D/8	334826224	D-	GCP	PLR	M-B	1	-	-	-	-	6	SALEABLE		N/A	N/A
MX150 ASSY BLD 2X6 BK A/10	334826226	A-BK	GCP	PLR	M-B	-	-	-	-	-	6	SALEABLE		N/A	N/A
MX150 ASSY BLD 2X6 BK A/0	334826227	A-BK	GCP	PLR	M-B	1	2	3	4	5	6	SALEABLE		N/A	N/A
MX150 ASSY BLD 2X6 LG B/0	334826228	B-LG	GCP	PLR	M-B	1	2	3	4	5	6	SALEABLE		N/A	N/A
MX150 ASSY BLD 2X6 BR C/0	334826229	C-	GCP	PLR	M-B	1	2	3	4	5	6	SALEABLE		N/A	N/A
MX150 ASSY BLD 2X6 GR D/0	334826230	D-	GCP	PLR	M-B	1	2	3	4	5	6	SALEABLE		N/A	N/A
MX150 ASSY BLD 2X6 BK A/8	334826232	A-BK	GCP	PLR	M-B	-	2	3	-	-	-	SALEABLE		N/A	N/A
MX150 ASSY BLD 2X6 BK A/5	334826233	A-BK	GCP	PLR	M-B	-	2	3	-	5	6	SALEABLE		N/A	N/A
MX150 ASSY BLD 2X6 BK A/10	334826234	A-BK	GCP	PLR	M-B	-	-	-	-	-	6	SALEABLE		N/A	N/A
MX150 ASSY BLD 2X6 BK A/5	334826235	A-BK	GCP	PLR	M-B	-	2	3	-	-	6	SALEABLE		N/A	N/A
MX150 ASSY BLD 2X6 LG B/5	334826236	B-LG	GCP	PLR	M-B	1	-	-	-	5	6	SALEABLE		N/A	N/A
MX150 ASSY BLD 2X6 BK A/11	334826237	A-BK	GCP	PLR	M-B	-	2	-	-	-	-	SALEABLE		N/A	N/A
MX150 ASSY BLD 2X6 LG B/9	334826238	B-LG	GCP	PLR	M-B	-	2	-	-	-	-	SALEABLE		N/A	N/A
MX150 ASSY BLD 2X6 BK A/7	334826239	A-BK	GCP	PLR	M-B	1	-	-	-	5	6	SALEABLE		N/A	N/A
MX150 ASSY BLD 2X6 BK A/6	334826240	A-BK	GCP	PLR	M-B	-	2	3	-	-	-	SALEABLE		N/A	N/A
MX150 ASSY BLD 2X6 BK A/7	334826241	A-BK	GCP	PLR	M-B	-	-	-	-	-	-	SALEABLE		N/A	N/A
MX150 ASSY BLD 2X6 BK A/10	334826242	A-BK	GCP	PLR	M-B	-	-	-	-	-	-	SALEABLE		N/A	N/A
MX150 ASSY BLD 2X6 BK A/9	334826243	A-BK	GCP	PLR	M-B	-	2	-	-	-	-	SALEABLE		N/A	N/A
MX150 ASSY BLD 2X6 BK A/10	334826244	A-BK	GCP	PLR	M-B	-	2	-	4	-	-	SALEABLE		N/A	N/A
MX150 ASSY BLD 2X6 BK A/8	334826245	A-BK	GCP	PLR	M-B	-	-	-	-	-	-	SALEABLE		N/A	N/A
MX150 ASSY BLD 2X6 BK A/11	334826246	A-BK	GCP	PLR	M-B	-	-	-	-	-	-	SALEABLE		N/A	N/A
MX150 ASSY BLD 2X6 BK A/7	334826247	A-BK	GCP	PLR	M-B	-	2	3	4	-	-	SALEABLE		N/A	N/A

ASSEMBLY DESCRIPTION	ASSEMBLY PART NUMBER	COMPONENT				BLOCKED TERMINALS						STATUS	COMMENT	OPTIONAL ATTACHMENTS SOLD SEPARATELY	
		THE PRESENCE OF AN ABBREVIATION INDICATES THE PRESENCE OF THAT COMPONENT				CAVITY WITH A NUMBER INDICATES BLOCKED TERMINAL POSITION CAVITY WITHOUT A NUMBER INDICATES OPEN TERMINAL POSITION								BACKSHELL WITH RIBS	BACKSHELL WITHOUT RIBS
		HOUSING KEY/COLOR	GROMMET CAP	PLR	MAT SEAL	1	2	3	4	5	6				
MX150 ASSY BLD 2X6 BK A/5	334826248	A-BK	GCP	PLR	M-B	1	-	3	4	5	6	SALEABLE		N/A	N/A
MX150 ASSY BLD 2X6 BK A/9	334826249	A-BK	GCP	PLR	M-B	7	8	-	-	-	-	SALEABLE		N/A	N/A
MX150 ASSY BLD 2X6 BK A/6	334826250	A-BK	GCP	PLR	M-B	-	-	-	4	5	6	SALEABLE		N/A	N/A
MX150 ASSY BLD 2X6 BK A/6	334826251	A-BK	GCP	PLR	M-B	7	8	9	-	-	-	SALEABLE		N/A	N/A
MX150 ASSY BLD 2X6 BK A/11	334826252	A-BK	GCP	PLR	M-B	-	2	-	4	5	-	SALEABLE		N/A	N/A
MX150 ASSY BLD 2X6 BK A/2	334826253	A-BK	GCP	PLR	M-B	-	8	-	10	11	-	SALEABLE		N/A	N/A
MX150 ASSY BLD 2X6 BK A/5	334826254	A-BK	GCP	PLR	M-B	7	-	-	-	-	-	SALEABLE		N/A	N/A
MX150 ASSY BLD 2X6 BK A/3	334826255	A-BK	GCP	PLR	M-B	-	2	3	4	5	6	SALEABLE		N/A	N/A
MX150 ASSY BLD 2X6 BK A/8	334826256	A-BK	GCP	PLR	M-B	-	-	-	10	11	12	SALEABLE		N/A	N/A
MX150 ASSY BLD 2X6 BK A/9	334826257	A-BK	GCP	PLR	M-B	1	-	-	-	-	6	SALEABLE		N/A	N/A
MX150 ASSY BLD 2X6 BK A/9	334826258	A-BK	GCP	PLR	M-B	7	-	9	-	-	-	SALEABLE		N/A	N/A
MX150 ASSY BLD 2X6 BK A/3	334826259	A-BK	GCP	PLR	M-B	-	-	9	10	-	12	SALEABLE		N/A	N/A
MX150 ASSY BLD 2X6 BK A/10	334826260	A-BK	GCP	PLR	M-B	-	2	3	-	-	-	SALEABLE		N/A	N/A
MX150 ASSY BLD 2X6 DG C/12	334826261	C-DG	GCP	PLR	M-B	-	-	-	-	11	-	SALEABLE		N/A	N/A
MX150 ASSY BLD 2X6 SG D/12	334826262	D-SG	GCP	PLR	M-B	-	-	-	-	-	-	SALEABLE		N/A	N/A
MX150 ASSY BLD 2X6 DG C/0	334826263	C-DG	GCP	PLR	M-B	1	2	3	4	5	6	SALEABLE		N/A	N/A
MX150 ASSY BLD 2X6 SG D/0	334826264	D-SG	GCP	PLR	M-B	7	8	9	10	11	12	SALEABLE		N/A	N/A
MX150 ASSY BLD 2X6 BK A/6	334826265	A-BK	GCP	PLR	M-B	1	2	3	4	5	6	SALEABLE		N/A	N/A
MX150 ASSY BLD 2X6 BK A/4	334826266	A-BK	GCP	PLR	M-B	7	8	9	10	11	-	SALEABLE		N/A	N/A
MX150 ASSY BLD 2X6 BK A/7	334826267	A-BK	GCP	PLR	M-B	-	-	3	4	5	6	SALEABLE		N/A	N/A
MX150 ASSY BLD 2X6 BK A/3	334826268	A-BK	GCP	PLR	M-B	7	-	-	-	-	-	SALEABLE		N/A	N/A
MX150 ASSY BLD 2X6 BK A/2	334826269	A-BK	GCP	PLR	M-B	-	-	3	4	5	6	SALEABLE		N/A	N/A
MX150 ASSY BLD 2X6 BK A/6	334826270	A-BK	GCP	PLR	M-B	7	8	9	10	11	12	SALEABLE		N/A	N/A
MX150 ASSY BLD 2X6 BK A/8	334826271	A-BK	GCP	PLR	M-B	-	2	-	4	-	-	SALEABLE		N/A	N/A
MX150 ASSY BLD 2X6 BK A/7	334826272	A-BK	GCP	PLR	M-B	7	8	9	10	-	-	SALEABLE		N/A	N/A
MX150 ASSY BLD 2X6 BK A/11	334826273	A-BK	GCP	PLR	M-B	-	2	-	-	-	-	SALEABLE		N/A	N/A
MX150 ASSY BLD 2X6 BK A/3	334826274	A-BK	GCP	PLR	M-B	7	8	9	10	-	-	SALEABLE		N/A	N/A
MX150 ASSY BLD 2X6 BK A/3	334826274	A-BK	GCP	PLR	M-B	1	-	3	4	5	6	SALEABLE		N/A	N/A
MX150 ASSY BLD 2X6 BK A/3	334826274	A-BK	GCP	PLR	M-B	-	8	-	10	11	12	SALEABLE		N/A	N/A

ASSEMBLY DESCRIPTION	ASSEMBLY PART NUMBER	COMPONENT				BLOCKED TERMINALS						STATUS	COMMENT	OPTIONAL ATTACHMENTS SOLD SEPARATELY	
		THE PRESENCE OF AN ABBREVIATION INDICATES THE PRESENCE OF THAT COMPONENT				CAVITY WITH A NUMBER INDICATES BLOCKED TERMINAL POSITION CAVITY WITHOUT A NUMBER INDICATES OPEN TERMINAL POSITION								BACKSHELL WITH RIBS	BACKSHELL WITHOUT RIBS
		HOUSING KEY/COLOR	GROMMET CAP	PLR	MAT SEAL										
MX150 ASSY BLD 2X6 BK A/9	334826275	A-BK	GCP	PLR	M-B	-	-	-	4	-	-	SALEABLE		N/A	N/A
MX150 ASSY BLD 2X6 BK A/3	334826276	A-BK	GCP	PLR	M-B	1	2	3	4	-	6	SALEABLE		N/A	N/A
MX150 ASSY BLD 2X6 BK A/7	334826277	A-BK	GCP	PLR	M-B	1	2	3	-	-	-	SALEABLE		N/A	N/A
MX150 ASSY BLD 2X6 BK A/10	334826278	A-BK	GCP	PLR	M-B	-	-	-	-	-	6	SALEABLE		N/A	N/A
MX150 ASSY BLD 2X6 BK A/2	334826279	A-BK	GCP	PLR	M-B	1	2	3	4	5	-	SALEABLE		N/A	N/A
MX150 ASSY BLD 2X6 BK A/5	334826280	A-BK	GCP	PLR	M-B	1	2	3	4	5	6	SALEABLE		N/A	N/A
MX150 ASSY BLD 2X6 BK A/6	334826281	A-BK	GCP	PLR	M-B	-	2	-	4	-	6	SALEABLE		N/A	N/A
MX150 ASSY BLD 2X6 BK A/2	334826282	A-BK	GCP	PLR	M-B	1	2	3	4	5	6	SALEABLE		N/A	N/A
MX150 ASSY BLD 2X6 BK A/7	334826283	A-BK	GCP	PLR	M-B	-	-	-	-	-	6	SALEABLE		N/A	N/A
MX150 ASSY BLD 2X6 BK A/2	334826284	A-BK	GCP	PLR	M-B	1	-	3	4	5	6	SALEABLE		N/A	N/A
MX150 ASSY BLD 2X6 SG D/9	334826285	D-SG	GCP	PLR	M-B	1	-	-	-	-	6	SALEABLE		N/A	N/A
MX150 ASSY BLD 2X6 BK A/8	334826286	A-BK	GCP	PLR	M-B	-	2	3	-	-	-	SALEABLE		N/A	N/A
MX150 ASSY BLD 2X6 BK A/10	334826287	A-BK	GCP	PLR	M-B	1	-	-	-	-	-	SALEABLE		N/A	N/A
MX150 ASSY BLD 2X6 BK A/10	334826288	A-BK	GCP	PLR	M-B	1	-	-	-	-	6	SALEABLE		N/A	N/A
MX150 ASSY BLD 2X6 BK A/5	334826289	A-BK	GCP	PLR	M-B	1	2	3	4	5	6	SALEABLE		N/A	N/A
MX150 ASSY BLD 2X6 BK A/9	334826290	A-BK	GCP	PLR	M-B	1	-	-	-	-	-	SALEABLE		N/A	N/A
MX150 ASSY BLD 2X6 BK A/3	334826291	A-BK	GCP	PLR	M-B	1	2	3	4	5	6	SALEABLE		N/A	N/A
MX150 ASSY BLD 2X6 BK A/11	334826292	A-BK	GCP	PLR	M-B	-	-	-	-	-	-	SALEABLE		N/A	N/A
MX150 ASSY BLD 2X6 BK A/6	334826293	A-BK	GCP	PLR	M-B	-	-	3	4	-	-	SALEABLE		N/A	N/A
MX150 ASSY BLD 2X6 BK A/6	334826294	A-BK	GCP	PLR	M-B	1	2	-	-	5	6	SALEABLE		N/A	N/A
MX150 ASSY BLD 2X6 BK A/4	334826295	A-BK	GCP	PLR	M-B	1	2	-	-	5	6	SALEABLE		N/A	N/A
MX150 ASSY BLD 2X6 BK A/2	334826296	A-BK	GCP	PLR	M-B	1	2	3	4	5	6	SALEABLE		N/A	N/A
MX150 ASSY BLD 2X6 BK A/7	334826297	A-BK	GCP	PLR	M-B	-	-	-	4	-	6	SALEABLE		N/A	N/A
MX150 ASSY BLD 2X6 BK A/9	334826298	A-BK	GCP	PLR	M-B	-	-	-	-	-	6	SALEABLE		N/A	N/A
MX150 ASSY BLD 2X6 BK A/8	334826299	A-BK	GCP	PLR	M-B	1	2	-	-	-	-	SALEABLE		N/A	N/A
MX150 ASSY BLD 2X6 BK A/5	334826300	A-BK	GCP	PLR	M-B	1	2	3	-	-	-	SALEABLE		N/A	N/A
MX150 ASSY BLD 2X6 BK A/7	334826301	A-BK	GCP	PLR	M-B	1	2	-	-	-	-	SALEABLE		N/A	N/A

ASSEMBLY DESCRIPTION	ASSEMBLY PART NUMBER	COMPONENT				BLOCKED TERMINALS						STATUS	COMMENT	OPTIONAL ATTACHMENTS SOLD SEPARATELY	
		THE PRESENCE OF AN ABBREVIATION INDICATES THE PRESENCE OF THAT COMPONENT				CAVITY WITH A NUMBER INDICATES BLOCKED TERMINAL POSITION CAVITY WITHOUT A NUMBER INDICATES OPEN TERMINAL POSITION								BACKSHELL WITH RIBS	BACKSHELL WITHOUT RIBS
		HOUSING KEY/COLOR	GROMMET CAP	PLR	MAT SEAL										
MX150 ASSY BLD 2X6 LG B/10	334826302	B-LG	GCP	PLR	M-B	-	-	-	-	-	-	SALEABLE		N/A	N/A
MX150 ASSY BLD 2X6 BK A/3	334826303	A-BK	GCP	PLR	M-B	1	2	3	4	-	-	SALEABLE		N/A	N/A
MX150 ASSY BLD 2X6 BK A/4	334826304	A-BK	GCP	PLR	M-B	1	2	3	4	-	-	SALEABLE		N/A	N/A
MX150 ASSY BLD 2X6 LG B/9	334826305	B-LG	GCP	PLR	M-B	-	-	-	-	-	-	SALEABLE		N/A	N/A
MX150 ASSY BLD 2X6 LG B/2	334826306	B-LG	GCP	PLR	M-B	1	2	3	4	5	6	SALEABLE		N/A	N/A
MX150 ASSY BLD 2X6 BK A/5	334826307	A-BK	GCP	PLR	M-B	1	2	3	4	5	-	SALEABLE		N/A	N/A
MX150 ASSY BLD 2X6 BK A/6	334826308	A-BK	GCP	PLR	M-B	-	-	-	-	-	-	SALEABLE		N/A	N/A
MX150 ASSY BLD 2X6 BK A/8	334826309	A-BK	GCP	PLR	M-B	1	-	-	-	-	-	SALEABLE		N/A	N/A
MX150 ASSY BLD 2X6 BK A/9	334826310	A-BK	GCP	PLR	M-B	1	-	-	4	-	-	SALEABLE		N/A	N/A
MX150 ASSY BLD 2X6 BK A/2	334826311	A-BK	GCP	PLR	M-B	1	2	-	4	5	6	SALEABLE		N/A	N/A
MX150 ASSY BLD 2X6 BK A/10	334826312	A-BK	GCP	PLR	M-B	-	-	-	-	-	-	SALEABLE		N/A	N/A
MX150 ASSY BLD 2X6 BK A/4	334826313	A-BK	GCP	PLR	M-B	-	-	3	4	5	6	SALEABLE		N/A	N/A
MX150 ASSY BLD 2X6 BK A/6	334826314	A-BK	GCP	PLR	M-B	-	-	3	-	-	6	SALEABLE		N/A	N/A
MX150 ASSY BLD 2X6 BK A/8	334826315	A-BK	GCP	PLR	M-B	-	-	-	-	-	6	SALEABLE		N/A	N/A
MX150 ASSY BLD 2X6 BK A/7	334826316	A-BK	GCP	PLR	M-B	-	-	-	-	5	6	SALEABLE		N/A	N/A
MX150 ASSY BLD 2X6 BK A/10	334826317	A-BK	GCP	PLR	M-B	1	2	-	-	-	-	SALEABLE		N/A	N/A
MX150 ASSY BLD 2X6 BK A/4	334826318	A-BK	GCP	PLR	M-B	1	2	3	4	5	6	SALEABLE		N/A	N/A
MX150 ASSY BLD 2X6 BK A/3	334826319	A-BK	GCP	PLR	M-B	1	2	3	4	5	6	SALEABLE		N/A	N/A
MX150 ASSY BLD 2X6 DG C/9	334826320	C-DG	GCP	PLR	M-B	1	-	-	-	-	6	SALEABLE		N/A	N/A
MX150 ASSY BLD 2X6 BR C/6	334826321	C-	GCP	PLR	M-B	1	2	3	4	5	6	SALEABLE		N/A	N/A
MX150 ASSY BLD 2X6 BR C/8	334826322	C-	GCP	PLR	M-B	1	2	-	-	5	6	SALEABLE		N/A	N/A
MX150 ASSY BLD 2X6 BK A/6	334826323	A-BK	GCP	PLR	M-B	-	-	3	-	-	-	SALEABLE		N/A	N/A
MX150 ASSY BLD 2X6 BK A/7	334826324	A-BK	GCP	PLR	M-B	-	-	3	-	-	-	SALEABLE		N/A	N/A
MX150 ASSY BLD 2X6 BK A/10	334826325	A-BK	GCP	PLR	M-B	-	-	3	-	-	-	SALEABLE		N/A	N/A
MX150 ASSY BLD 2X6 BK A/7	334826326	A-BK	GCP	PLR	M-B	-	-	-	-	5	6	SALEABLE		N/A	N/A
MX150 ASSY BLD 2X6 BK A/10	334826327	A-BK	GCP	PLR	M-B	-	-	-	-	-	-	SALEABLE		N/A	N/A
MX150 ASSY BLD 2X6 DG C/6	334826328	C-DG	GCP	PLR	M-B	1	2	3	4	5	6	SALEABLE		N/A	N/A

ASSEMBLY DESCRIPTION	ASSEMBLY PART NUMBER	COMPONENT				BLOCKED TERMINALS						STATUS	COMMENT	OPTIONAL ATTACHMENTS SOLD SEPARATELY	
		THE PRESENCE OF AN ABBREVIATION INDICATES THE PRESENCE OF THAT COMPONENT				CAVITY WITH A NUMBER INDICATES BLOCKED TERMINAL POSITION CAVITY WITHOUT A NUMBER INDICATES OPEN TERMINAL POSITION								BACKSHELL WITH RIBS	BACKSHELL WITHOUT RIBS
		HOUSING KEY/COLOR	GROMMET CAP	PLR	MAT SEAL	1	2	3	4	5	6				
MX150 ASSY BLD 2X6 DG C/8	334826329	C-DG	GCP	PLR	M-B	1	2	-	-	5	6	SALEABLE		N/A	N/A
MX150 ASSY BLD 2X6 BK A/4	334826330	A-BK	GCP	PLR	M-B	1	2	3	4	-	-	SALEABLE		N/A	N/A
MX150 ASSY BLD 2X6 BK A/6	334826331	A-BK	GCP	PLR	M-B	1	2	-	-	-	6	SALEABLE		N/A	N/A
MX150 ASSY BLD 2X6 BK A/6	334826332	A-BK	GCP	PLR	M-B	7	8	-	-	-	12	SALEABLE		N/A	N/A
MX150 ASSY BLD 2X6 BK A/9	334826333	A-BK	GCP	PLR	M-B	-	-	-	4	5	-	SALEABLE		N/A	N/A
MX150 ASSY BLD 2X6 BK A/8	334826334	A-BK	GCP	PLR	M-B	7	8	9	10	-	-	SALEABLE		N/A	N/A
MX150 ASSY BLD 2X6 BK A/5	334826335	A-BK	GCP	PLR	M-B	-	-	-	4	-	-	SALEABLE		N/A	N/A
MX150 ASSY BLD 2X6 YW A/12	334826336	A-YW	GCP	PLR	M-B	-	-	-	4	5	6	SALEABLE		N/A	N/A
MX150 ASSY BLD 2X6 LG B/10	334826337	B-LG	GCP	PLR	M-B	7	8	-	-	-	12	SALEABLE		N/A	N/A
MX150 ASSY BLD 2X6 LG B/8	334826338	B-LG	GCP	PLR	M-B	-	-	-	4	5	-	SALEABLE		N/A	N/A
MX150 ASSY BLD 2X6 LG B/4	334826339	B-LG	GCP	PLR	M-B	-	8	-	10	-	-	SALEABLE		N/A	N/A
MX150 ASSY BLD 2X6 LG B/2	334826340	B-LG	GCP	PLR	M-B	1	2	3	4	5	-	SALEABLE		N/A	N/A
MX150 ASSY BLD 2X6 BK A/6	334826341	A-BK	GCP	PLR	M-B	-	8	9	10	11	12	SALEABLE		N/A	N/A
MX150 ASSY BLD 2X6 BK A/8	334826342	A-BK	GCP	PLR	M-B	1	2	3	-	5	-	SALEABLE		N/A	N/A
MX150 ASSY BLD 2X6 BK A/7	334826343	A-BK	GCP	PLR	M-B	-	-	9	-	11	-	SALEABLE		N/A	N/A
MX150 ASSY BLD 2X6 BK A/4	334826344	A-BK	GCP	PLR	M-B	-	2	3	-	5	-	SALEABLE		N/A	N/A
MX150 ASSY BLD 2X6 BK A/6	334826345	A-BK	GCP	PLR	M-B	1	2	3	4	5	-	SALEABLE		N/A	N/A
MX150 ASSY BLD 2X6 BK A/11	334826346	A-BK	GCP	PLR	M-B	-	-	-	-	11	12	SALEABLE		N/A	N/A
MX150 ASSY BLD 2X6 BK A/9	334826347	A-BK	GCP	PLR	M-B	-	-	-	-	-	-	SALEABLE		N/A	N/A
MX150 ASSY BLD 2X6 LG B/5	334826348	B-LG	GCP	PLR	M-B	1	2	3	4	-	6	SALEABLE		N/A	N/A
MX150 ASSY BLD 2X6 BK A/9	334826349	A-BK	GCP	PLR	M-B	-	-	-	4	-	-	SALEABLE		N/A	N/A
MX150 ASSY BLD 2X6 BK A/10	334826350	A-BK	GCP	PLR	M-B	7	8	-	-	-	-	SALEABLE		N/A	N/A
MX150 ASSY BLD 2X6 BK A/8	334826351	A-BK	GCP	PLR	M-B	-	2	-	4	-	-	SALEABLE		N/A	N/A
MX150 ASSY BLD 2X6 BK A/2	334826352	A-BK	GCP	PLR	M-B	-	8	-	10	-	-	SALEABLE		N/A	N/A
MX150 ASSY BLD 2X6 BK A/7	334826353	A-BK	GCP	PLR	M-B	1	2	3	4	5	6	SALEABLE		N/A	N/A
MX150 ASSY BLD 2X6 BK A/4	334826354	A-BK	GCP	PLR	M-B	-	8	-	10	11	12	SALEABLE		N/A	N/A
MX150 ASSY BLD 2X6 BK A/6	334826355	A-BK	GCP	PLR	M-B	1	2	3	4	5	6	SALEABLE		N/A	N/A
						7	8	-	10	11	-	SALEABLE		N/A	N/A

ASSEMBLY DESCRIPTION	ASSEMBLY PART NUMBER	COMPONENT				BLOCKED TERMINALS						STATUS	COMMENT	OPTIONAL ATTACHMENTS SOLD SEPARATELY	
		THE PRESENCE OF AN ABBREVIATION INDICATES THE PRESENCE OF THAT COMPONENT				CAVITY WITH A NUMBER INDICATES BLOCKED TERMINAL POSITION CAVITY WITHOUT A NUMBER INDICATES OPEN TERMINAL POSITION								BACKSHELL WITH RIBS	BACKSHELL WITHOUT RIBS
		HOUSING KEY/COLOR	GROMMET CAP	PLR	MAT SEAL	1	2	3	4	-	6				
MX150 ASSY BLD 2X6 BK A/4	334826356	A-BK	GCP	PLR	M-B	-	-	-	10	11	12	SALEABLE		N/A	N/A
MX150 ASSY BLD 2X6 BK A/10	334826357	A-BK	GCP	PLR	M-B	-	-	-	-	5	-	SALEABLE		N/A	N/A
MX150 ASSY BLD 2X6 BK A/10	334826358	A-BK	GCP	PLR	M-B	-	8	-	-	-	-	SALEABLE		N/A	N/A
MX150 ASSY BLD 2X6 BK A/5	334826359	A-BK	GCP	PLR	M-B	-	-	-	4	-	-	SALEABLE		N/A	N/A
MX150 ASSY BLD 2X6 BK A/5	334826360	A-BK	GCP	PLR	M-B	-	-	-	10	-	-	SALEABLE		N/A	N/A
MX150 ASSY BLD 2X6 BK A/4	334826361	A-BK	GCP	PLR	M-B	-	-	-	4	5	6	SALEABLE		N/A	N/A
MX150 ASSY BLD 2X6 BK A/2	334826362	A-BK	GCP	PLR	M-B	-	8	9	10	11	12	SALEABLE		N/A	N/A
MX150 ASSY BLD 2X6 BK A/4	334826363	A-BK	GCP	PLR	M-B	1	2	3	-	5	6	SALEABLE		N/A	N/A
MX150 ASSY BLD 2X6 BK A/8	334826364	A-BK	GCP	PLR	M-B	7	8	9	-	11	12	SALEABLE		N/A	N/A
MX150 ASSY BLD 2X6 BK A/5	334826365	A-BK	GCP	PLR	M-B	-	-	-	4	5	-	SALEABLE		N/A	N/A
MX150 ASSY BLD 2X6 BK A/6	334826366	A-BK	GCP	PLR	M-B	7	8	9	10	11	12	SALEABLE		N/A	N/A
MX150 ASSY BLD 2X6 BK A/9	334826367	A-BK	GCP	PLR	M-B	-	-	-	4	-	-	SALEABLE		N/A	N/A
MX150 ASSY BLD 2X6 BK A/2	334826368	A-BK	GCP	PLR	M-B	7	-	9	10	-	-	SALEABLE		N/A	N/A
MX150 ASSY BLD 2X6 BK A/11	334826369	A-BK	GCP	PLR	M-B	-	-	-	-	-	-	SALEABLE		N/A	N/A
MX150 ASSY BLD 2X6 BK A/4	334826370	A-BK	GCP	PLR	M-B	1	2	3	-	-	6	SALEABLE		N/A	N/A
MX150 ASSY BLD 2X6 BK A/9	334826371	A-BK	GCP	PLR	M-B	7	-	-	10	11	12	SALEABLE		N/A	N/A
MX150 ASSY BLD 2X6 BK A/6	334826372	A-BK	GCP	PLR	M-B	-	-	-	-	-	-	SALEABLE		N/A	N/A
MX150 ASSY BLD 2X6 BK A/6	334826373	A-BK	GCP	PLR	M-B	7	8	-	-	11	-	SALEABLE		N/A	N/A
MX150 ASSY BLD 2X6 BK A/8	334826374	A-BK	GCP	PLR	M-B	-	2	-	4	-	6	SALEABLE		N/A	N/A
MX150 ASSY BLD 2X6 BK A/9	334826375	A-BK	GCP	PLR	M-B	-	-	-	-	-	-	SALEABLE		N/A	N/A
MX150 ASSY BLD 2X6 BK A/9	334826376	A-BK	GCP	PLR	M-B	7	-	9	10	-	-	SALEABLE		N/A	N/A
MX150 ASSY BLD 2X6 BK A/3	334826377	A-BK	GCP	PLR	M-B	-	2	-	4	-	-	SALEABLE		N/A	N/A
MX150 ASSY BLD 2X6 BK A/7	334826378	A-BK	GCP	PLR	M-B	1	2	3	4	-	6	SALEABLE		N/A	N/A
MX150 ASSY BLD 2X6 BK A/5	334826379	A-BK	GCP	PLR	M-B	-	-	-	9	10	11	SALEABLE		N/A	N/A
MX150 ASSY BLD 2X6 BK A/9	334826380	A-BK	GCP	PLR	M-B	1	-	3	-	5	-	SALEABLE		N/A	N/A
MX150 ASSY BLD 2X6 BK A/8	334826381	A-BK	GCP	PLR	M-B	-	8	-	10	11	12	SALEABLE		N/A	N/A
MX150 ASSY BLD 2X6 BK A/6	334826382	A-BK	GCP	PLR	M-B	-	2	-	-	-	-	SALEABLE		N/A	N/A
MX150 ASSY BLD 2X6 BK A/6	334826382	A-BK	GCP	PLR	M-B	-	2	-	4	-	-	SALEABLE		N/A	N/A
MX150 ASSY BLD 2X6 BK A/6	334826382	A-BK	GCP	PLR	M-B	7	8	-	-	-	-	SALEABLE		N/A	N/A
MX150 ASSY BLD 2X6 BK A/6	334826382	A-BK	GCP	PLR	M-B	-	-	-	4	5	6	SALEABLE		N/A	N/A
MX150 ASSY BLD 2X6 BK A/6	334826382	A-BK	GCP	PLR	M-B	-	8	-	10	11	-	SALEABLE		N/A	N/A

ASSEMBLY DESCRIPTION	ASSEMBLY PART NUMBER	COMPONENT				BLOCKED TERMINALS						STATUS	COMMENT	OPTIONAL ATTACHMENTS SOLD SEPARATELY	
		THE PRESENCE OF AN ABBREVIATION INDICATES THE PRESENCE OF THAT COMPONENT				CAVITY WITH A NUMBER INDICATES BLOCKED TERMINAL POSITION CAVITY WITHOUT A NUMBER INDICATES OPEN TERMINAL POSITION								BACKSHELL WITH RIBS	BACKSHELL WITHOUT RIBS
		HOUSING KEY/COLOR	GROMMET CAP	PLR	MAT SEAL	1	2	3	4	-	-				
MX150 ASSY BLD 2X6 BK A/3	334826383	A-BK	GCP	PLR	M-B	1	2	3	4	-	-	SALEABLE		N/A	N/A
MX150 ASSY BLD 2X6 BK A/8	334826384	A-BK	GCP	PLR	M-B	7	8	9	10	11	-	SALEABLE		N/A	N/A
MX150 ASSY BLD 2X6 BK A/8	334826385	A-BK	GCP	PLR	M-B	-	-	3	4	-	-	SALEABLE		N/A	N/A
MX150 ASSY BLD 2X6 BK A/2	334826386	A-BK	GCP	PLR	M-B	-	-	9	10	-	-	SALEABLE		N/A	N/A
MX150 ASSY BLD 2X6 BK A/2	334826387	A-BK	GCP	PLR	M-B	-	-	3	4	-	-	SALEABLE		N/A	N/A
MX150 ASSY BLD 2X6 BK A/6	334826388	A-BK	GCP	PLR	M-B	-	-	-	-	11	12	SALEABLE		N/A	N/A
MX150 ASSY BLD 2X6 BK A/6	334826389	A-BK	GCP	PLR	M-B	1	2	3	4	-	6	SALEABLE		N/A	N/A
MX150 ASSY BLD 2X6 BK A/8	334826390	A-BK	GCP	PLR	M-B	7	8	9	10	11	-	SALEABLE		N/A	N/A
MX150 ASSY BLD 2X6 BK A/5	334826391	A-BK	GCP	PLR	M-B	1	2	3	4	5	6	SALEABLE		N/A	N/A
MX150 ASSY BLD 2X6 BK A/7	334826392	A-BK	GCP	PLR	M-B	7	8	9	-	-	12	SALEABLE		N/A	N/A
MX150 ASSY BLD 2X6 BK A/7	334826393	A-BK	GCP	PLR	M-B	1	2	3	-	-	-	SALEABLE		N/A	N/A
MX150 ASSY BLD 2X6 BK A/7	334826393	A-BK	GCP	PLR	M-B	-	-	-	10	11	12	SALEABLE		N/A	N/A
MX150 ASSY BLD 2X6 BK A/7	334826393	A-BK	GCP	PLR	M-B	1	2	3	-	-	6	SALEABLE		N/A	N/A
MX150 ASSY BLD 2X6 BK A/7	334826393	A-BK	GCP	PLR	M-B	-	-	-	-	11	12	SALEABLE		N/A	N/A
MX150 ASSY BLD 2X6 BK A/7	334826393	A-BK	GCP	PLR	M-B	7	-	-	-	11	12	SALEABLE		N/A	N/A
MX150 ASSY BLD 2X6 LG B/3	334826394	B-LG	GCP	PLR	M-B	1	2	3	4	-	-	SALEABLE		N/A	N/A
MX150 ASSY BLD 2X6 LG B/5	334826395	B-LG	GCP	PLR	M-B	-	8	9	10	11	12	SALEABLE		N/A	N/A
MX150 ASSY BLD 2X6 BK A/6	334826396	A-BK	GCP	PLR	M-B	1	2	3	4	-	-	SALEABLE		N/A	N/A
MX150 ASSY BLD 2X6 BK A/9	334826397	A-BK	GCP	PLR	M-B	-	8	9	10	-	-	SALEABLE		N/A	N/A
MX150 ASSY BLD 2X6 BK A/6	334826398	A-BK	GCP	PLR	M-B	1	-	-	-	-	6	SALEABLE		N/A	N/A
MX150 ASSY BLD 2X6 BK A/6	334826398	A-BK	GCP	PLR	M-B	7	8	9	10	-	-	SALEABLE		N/A	N/A
MX150 ASSY BLD 2X6 BK A/2	334826399	A-BK	GCP	PLR	M-B	-	-	-	4	-	6	SALEABLE		N/A	N/A
MX150 ASSY BLD 2X6 BK A/7	334826400	A-BK	GCP	PLR	M-B	-	8	-	-	-	-	SALEABLE		N/A	N/A
MX150 ASSY BLD 2X6 BK A/5	334826401	A-BK	GCP	PLR	M-B	1	2	3	-	-	-	SALEABLE		N/A	N/A
MX150 ASSY BLD 2X6 BK A/8	334826402	A-BK	GCP	PLR	M-B	7	8	9	10	-	-	SALEABLE		N/A	N/A
MX150 ASSY BLD 2X6 BK A/4	334826403	A-BK	GCP	PLR	M-B	-	-	-	4	5	6	SALEABLE		N/A	N/A
MX150 ASSY BLD 2X6 BK A/7	334826404	A-BK	GCP	PLR	M-B	-	-	-	-	5	6	SALEABLE		N/A	N/A
MX150 ASSY BLD 2X6 BK A/9	334826405	A-BK	GCP	PLR	M-B	7	8	-	-	-	12	SALEABLE		N/A	N/A
MX150 ASSY BLD 2X6 BK A/3	334826406	A-BK	GCP	PLR	M-B	-	-	-	-	-	-	SALEABLE		N/A	N/A
MX150 ASSY BLD 2X6 BK A/8	334826407	A-BK	GCP	PLR	M-B	1	2	3	-	5	6	SALEABLE		N/A	N/A
MX150 ASSY BLD 2X6 BK A/4	334826408	A-BK	GCP	PLR	M-B	7	-	9	10	11	12	SALEABLE		N/A	N/A
MX150 ASSY BLD 2X6 BK A/3	334826409	A-BK	GCP	PLR	M-B	-	-	3	-	-	-	SALEABLE		N/A	N/A
MX150 ASSY BLD 2X6 BK A/3	334826409	A-BK	GCP	PLR	M-B	-	-	-	4	5	6	SALEABLE		N/A	N/A
MX150 ASSY BLD 2X6 BK A/3	334826409	A-BK	GCP	PLR	M-B	7	8	-	10	11	12	SALEABLE		N/A	N/A

ASSEMBLY DESCRIPTION	ASSEMBLY PART NUMBER	COMPONENT				BLOCKED TERMINALS						STATUS	COMMENT	OPTIONAL ATTACHMENTS SOLD SEPARATELY	
		THE PRESENCE OF AN ABBREVIATION INDICATES THE PRESENCE OF THAT COMPONENT				CAVITY WITH A NUMBER INDICATES BLOCKED TERMINAL POSITION CAVITY WITHOUT A NUMBER INDICATES OPEN TERMINAL POSITION								BACKSHELL WITH RIBS	BACKSHELL WITHOUT RIBS
		HOUSING KEY/COLOR	GROMMET CAP	PLR	MAT SEAL	1	2	3	4	-	-				
MX150 ASSY BLD 2X6 BK A/6	334826410	A-BK	GCP	PLR	M-B	1	2	3	4	-	-	SALEABLE		N/A	N/A
MX150 ASSY BLD 2X6 BK A/9	334826411	A-BK	GCP	PLR	M-B	-	2	3	-	-	-	SALEABLE		N/A	N/A
MX150 ASSY BLD 2X6 BK A/9	334826412	A-BK	GCP	PLR	M-B	-	-	-	-	-	-	SALEABLE		N/A	N/A
MX150 ASSY BLD 2X6 BK A/8	334826413	A-BK	GCP	PLR	M-B	1	-	3	-	5	-	SALEABLE		N/A	N/A
MX150 ASSY BLD 2X6 BK A/6	334826414	A-BK	GCP	PLR	M-B	1	-	3	-	5	-	SALEABLE		N/A	N/A
MX150 ASSY BLD 2X6 BK A/4	334826415	A-BK	GCP	PLR	M-B	-	2	3	-	5	6	SALEABLE		N/A	N/A
MX150 ASSY BLD 2X6 BK A/5	334826416	A-BK	GCP	PLR	M-B	1	-	-	4	5	6	SALEABLE		N/A	N/A
MX150 ASSY BLD 2X6 BK A/6	334826417	A-BK	GCP	PLR	M-B	1	-	-	4	5	-	SALEABLE		N/A	N/A
MX150 ASSY BLD 2X6 BK A/3	334826418	A-BK	GCP	PLR	M-B	1	2	3	4	5	-	SALEABLE		N/A	N/A
MX150 ASSY BLD 2X6 BK A/3	334826419	A-BK	GCP	PLR	M-B	-	2	3	-	5	6	SALEABLE		N/A	N/A
MX150 ASSY BLD 2X6 BK A/6	334826420	A-BK	GCP	PLR	M-B	1	2	3	4	-	-	SALEABLE		N/A	N/A
MX150 ASSY BLD 2X6 BK A/9	334826421	A-BK	GCP	PLR	M-B	-	2	3	-	-	-	SALEABLE		N/A	N/A
MX150 ASSY BLD 2X6 BK A/9	334826422	A-BK	GCP	PLR	M-B	-	-	-	-	-	-	SALEABLE		N/A	N/A
MX150 ASSY BLD 2X6 BK A/8	334826423	A-BK	GCP	PLR	M-B	1	-	3	-	5	-	SALEABLE		N/A	N/A
MX150 ASSY BLD 2X6 BK A/6	334826424	A-BK	GCP	PLR	M-B	1	-	3	-	5	-	SALEABLE		N/A	N/A
MX150 ASSY BLD 2X6 BK A/3	334826425	A-BK	GCP	PLR	M-B	-	2	-	4	-	6	SALEABLE		N/A	N/A
MX150 ASSY BLD 2X6 BK A/8	334826426	A-BK	GCP	PLR	M-B	-	-	3	4	-	-	SALEABLE		N/A	N/A
MX150 ASSY BLD 2X6 BK A/6	334826427	A-BK	GCP	PLR	M-B	-	-	3	4	-	-	SALEABLE		N/A	N/A
MX150 ASSY BLD 2X6 BK A/4	334826428	A-BK	GCP	PLR	M-B	1	2	-	-	5	6	SALEABLE		N/A	N/A
MX150 ASSY BLD 2X6 BK A/10	334826429	A-BK	GCP	PLR	M-B	-	-	-	-	-	-	SALEABLE		N/A	N/A
MX150 ASSY BLD 2X6 BK A/6	334826430	A-BK	GCP	PLR	M-B	-	-	3	4	5	6	SALEABLE		N/A	N/A
MX150 ASSY BLD 2X6 LG B/5	334826431	B-LG	GCP	PLR	M-B	1	2	3	4	-	-	SALEABLE		N/A	N/A
MX150 ASSY BLD 2X6 LG B/7	334826432	B-LG	GCP	PLR	M-B	1	2	3	4	-	-	SALEABLE		N/A	N/A
MX150 ASSY BLD 2X6 BK A/9	334826433	A-BK	GCP	PLR	M-B	-	-	-	-	-	-	SALEABLE		N/A	N/A
MX150 ASSY BLD 2X6 LG B/8	334826434	B-LG	GCP	PLR	M-B	-	-	-	-	-	-	SALEABLE		N/A	N/A
MX150 ASSY BLD 2X6 BK A/6	334826435	A-BK	GCP	PLR	M-B	-	-	-	-	-	-	SALEABLE		N/A	N/A
MX150 ASSY BLD 2X6 BK A/6	334826436	A-BK	GCP	PLR	M-B	-	2	-	-	-	-	SALEABLE		N/A	N/A

ASSEMBLY DESCRIPTION	ASSEMBLY PART NUMBER	COMPONENT				BLOCKED TERMINALS						STATUS	COMMENT	OPTIONAL ATTACHMENTS SOLD SEPARATELY	
		THE PRESENCE OF AN ABBREVIATION INDICATES THE PRESENCE OF THAT COMPONENT				CAVITY WITH A NUMBER INDICATES BLOCKED TERMINAL POSITION CAVITY WITHOUT A NUMBER INDICATES OPEN TERMINAL POSITION								BACKSHELL WITH RIBS	BACKSHELL WITHOUT RIBS
		HOUSING KEY/COLOR	GROMMET CAP	PLR	MAT SEAL										
MX150 ASSY BLD 2X6 BK A/9	334826437	A-BK	GCP	PLR	M-B	-	2	-	-	-	-	SALEABLE		N/A	N/A
MX150 ASSY BLD 2X6 LG B/5	334826438	B-LG	GCP	PLR	M-B	1	2	3	4	-	-	SALEABLE		N/A	N/A
MX150 ASSY BLD 2X6 LG B/7	334826439	B-LG	GCP	PLR	M-B	1	2	3	4	-	-	SALEABLE		N/A	N/A
MX150 ASSY BLD 2X6 BK A/7	334826440	A-BK	GCP	PLR	M-B	1	2	-	-	-	6	SALEABLE		N/A	N/A
MX150 ASSY BLD 2X6 BK A/4	334826441	A-BK	GCP	PLR	M-B	1	2	3	-	-	6	SALEABLE		N/A	N/A
MX150 ASSY BLD 2X6 BK A/8	334826442	A-BK	GCP	PLR	M-B	-	2	-	4	-	6	SALEABLE		N/A	N/A
MX150 ASSY BLD 2X6 BK A/9	334826443	A-BK	GCP	PLR	M-B	-	2	-	4	-	6	SALEABLE		N/A	N/A
MX150 ASSY BLD 2X6 BK A/7	334826444	A-BK	GCP	PLR	M-B	-	-	3	4	-	6	SALEABLE		N/A	N/A
MX150 ASSY BLD 2X6 BK A/6	334826445	A-BK	GCP	PLR	M-B	-	-	-	4	-	-	SALEABLE		N/A	N/A
MX150 ASSY BLD 2X6 DG C/10	334826446	C-DG	GCP	PLR	M-B	-	-	3	4	-	-	SALEABLE		N/A	N/A
MX150 ASSY BLD 2X6 BK A/5	334826447	A-BK	GCP	PLR	M-B	1	2	3	-	-	6	SALEABLE		N/A	N/A
MX150 ASSY BLD 2X6 BK A/6	334826448	A-BK	GCP	PLR	M-B	-	-	-	-	5	6	SALEABLE		N/A	N/A
MX150 ASSY BLD 2X6 LG B/8	334826449	B-LG	GCP	PLR	M-B	-	-	-	-	-	-	SALEABLE		N/A	N/A
MX150 ASSY BLD 2X6 BK A/3	334826450	A-BK	GCP	PLR	M-B	-	2	3	-	5	6	SALEABLE		N/A	N/A
MX150 ASSY BLD 2X6 BK A/8	334826451	A-BK	GCP	PLR	M-B	-	-	-	-	5	6	SALEABLE		N/A	N/A
MX150 ASSY BLD 2X6 BK A/5	334826452	A-BK	GCP	PLR	M-B	-	-	3	4	-	-	SALEABLE		N/A	N/A
MX150 ASSY BLD 2X6 BK A/3	334826453	A-BK	GCP	PLR	M-B	1	2	3	4	-	-	SALEABLE		N/A	N/A
MX150 ASSY BLD 2X6 BK A/5	334826454	A-BK	GCP	PLR	M-B	1	-	3	4	-	-	SALEABLE		N/A	N/A
MX150 ASSY BLD 2X6 BK A/7	334826455	A-BK	GCP	PLR	M-B	1	-	-	4	-	-	SALEABLE		N/A	N/A
MX150 ASSY BLD 2X6 BK A/6	334826456	A-BK	GCP	PLR	M-B	1	2	-	4	5	6	SALEABLE		N/A	N/A
MX150 ASSY BLD 2X6 BK A/6	334826457	A-BK	GCP	PLR	M-B	-	2	-	4	5	6	SALEABLE		N/A	N/A
MX150 ASSY BLD 2X6 BK A/9	334826458	A-BK	GCP	PLR	M-B	-	2	-	-	-	6	SALEABLE		N/A	N/A
MX150 ASSY BLD 2X6 BK A/8	334826459	A-BK	GCP	PLR	M-B	-	-	3	-	-	-	SALEABLE		N/A	N/A
MX150 ASSY BLD 2X6 BK A/8	334826460	A-BK	GCP	PLR	M-B	1	-	-	-	-	-	SALEABLE		N/A	N/A
MX150 ASSY BLD 2X6 BK A/6	334826461	A-BK	GCP	PLR	M-B	-	2	-	-	5	6	SALEABLE		N/A	N/A
MX150 ASSY BLD 2X6 BK A/4	334826462	A-BK	GCP	PLR	M-B	-	2	3	-	5	6	SALEABLE		N/A	N/A
MX150 ASSY BLD 2X6 BK A/4	334826463	A-BK	GCP	PLR	M-B	1	2	-	4	5	6	SALEABLE		N/A	N/A

ASSEMBLY DESCRIPTION	ASSEMBLY PART NUMBER	COMPONENT				BLOCKED TERMINALS						STATUS	COMMENT	OPTIONAL ATTACHMENTS SOLD SEPARATELY	
		THE PRESENCE OF AN ABBREVIATION INDICATES THE PRESENCE OF THAT COMPONENT				CAVITY WITH A NUMBER INDICATES BLOCKED TERMINAL POSITION CAVITY WITHOUT A NUMBER INDICATES OPEN TERMINAL POSITION								BACKSHELL WITH RIBS	BACKSHELL WITHOUT RIBS
		HOUSING KEY/COLOR	GROMMET CAP	PLR	MAT SEAL	1	2	-	4	5	6				
MX150 ASSY BLD 2X6 BK A/2	334826464	A-BK	GCP	PLR	M-B	1	2	-	4	5	6	SALEABLE		N/A	N/A
MX150 ASSY BLD 2X6 BK A/2	334826465	A-BK	GCP	PLR	M-B	1	2	3	4	5	6	SALEABLE		N/A	N/A
MX150 ASSY BLD 2X6 BK A/11	334826466	A-BK	GCP	PLR	M-B	-	-	-	-	-	-	SALEABLE		N/A	N/A
MX150 ASSY BLD 2X6 BK A/9	334826467	A-BK	GCP	PLR	M-B	-	2	3	4	-	-	SALEABLE		N/A	N/A
MX150 ASSY BLD 2X6 BK A/6	334826468	A-BK	GCP	PLR	M-B	-	-	-	4	5	-	SALEABLE		N/A	N/A
MX150 ASSY BLD 2X6 BK A/9	334826469	A-BK	GCP	PLR	M-B	1	-	-	-	-	-	SALEABLE		N/A	N/A
MX150 ASSY BLD 2X6 BK A/8	334826470	A-BK	GCP	PLR	M-B	-	-	-	-	-	-	SALEABLE		N/A	N/A
MX150 ASSY BLD 2X6 DG C/9	334826471	C-DG	GCP	PLR	M-B	-	-	3	4	-	-	SALEABLE		N/A	N/A
MX150 ASSY BLD 2X6 BK A/4	334826472	A-BK	GCP	PLR	M-B	1	2	-	-	-	-	SALEABLE		N/A	N/A
MX150 ASSY BLD 2X6 BK A/7	334826473	A-BK	GCP	PLR	M-B	-	-	-	-	5	-	SALEABLE		N/A	N/A
MX150 ASSY BLD 2X6 BK A/7	334826474	A-BK	GCP	PLR	M-B	1	2	-	-	5	-	SALEABLE		N/A	N/A
MX150 ASSY BLD 2X6 BK A/11	334826475	A-BK	GCP	PLR	M-B	-	-	-	-	5	-	SALEABLE		N/A	N/A
MX150 ASSY BLD 2X6 BK A/9	334826476	A-BK	GCP	PLR	M-B	-	-	3	4	5	-	SALEABLE		N/A	N/A
MX150 ASSY BLD 2X6 BK A/5	334826477	A-BK	GCP	PLR	M-B	1	2	-	-	5	-	SALEABLE		N/A	N/A
MX150 ASSY BLD 2X6 BK A/9	334826478	A-BK	GCP	PLR	M-B	-	-	-	-	5	-	SALEABLE		N/A	N/A
MX150 ASSY BLD 2X6 BK A/9	334826479	A-BK	GCP	PLR	M-B	1	-	-	-	-	-	SALEABLE		N/A	N/A
MX150 ASSY BLD 2X6 BK A/7	334826480	A-BK	GCP	PLR	M-B	1	-	-	4	5	6	SALEABLE		N/A	N/A
MX150 ASSY BLD 2X6 BK A/5	334826481	A-BK	GCP	PLR	M-B	1	-	-	4	5	6	SALEABLE		N/A	N/A
MX150 ASSY BLD 2X6 BK A/3	334826482	A-BK	GCP	PLR	M-B	1	2	3	4	5	6	SALEABLE		N/A	N/A
MX150 ASSY BLD 2X6 LG B/6	334826483	B-LG	GCP	PLR	M-B	1	-	-	-	-	6	SALEABLE		N/A	N/A
MX150 ASSY BLD 2X6 LG B/4	334826484	B-LG	GCP	PLR	M-B	1	-	-	-	-	6	SALEABLE		N/A	N/A
MX150 ASSY BLD 2X6 LG B/3	334826485	B-LG	GCP	PLR	M-B	1	-	-	-	5	6	SALEABLE		N/A	N/A
MX150 ASSY BLD 2X6 BK A/3	334826486	A-BK	GCP	PLR	M-B	1	2	-	-	5	-	SALEABLE		N/A	N/A
MX150 ASSY BLD 2X6 BK A/9	334826487	A-BK	GCP	PLR	M-B	-	-	-	-	-	-	SALEABLE		N/A	N/A
MX150 ASSY BLD 2X6 BK A/2	334826488	A-BK	GCP	PLR	M-B	1	2	3	4	5	6	SALEABLE		N/A	N/A
MX150 ASSY BLD 2X6 BK A/7	334826489	A-BK	GCP	PLR	M-B	-	-	3	-	-	-	SALEABLE		N/A	N/A
MX150 ASSY BLD 2X6 BK A/6	334826490	A-BK	GCP	PLR	M-B	1	2	3	4	-	-	SALEABLE		N/A	N/A

ASSEMBLY DESCRIPTION	ASSEMBLY PART NUMBER	COMPONENT				BLOCKED TERMINALS						STATUS	COMMENT	OPTIONAL ATTACHMENTS SOLD SEPARATELY					
		THE PRESENCE OF AN ABBREVIATION INDICATES THE PRESENCE OF THAT COMPONENT				CAVITY WITH A NUMBER INDICATES BLOCKED TERMINAL POSITION CAVITY WITHOUT A NUMBER INDICATES OPEN TERMINAL POSITION								BACKSHELL WITH RIBS	BACKSHELL WITHOUT RIBS				
		HOUSING KEY/COLOR	GROMMET CAP	PLR	MAT SEAL	1	2	3	4	5	6					7	8	9	10
MX150 ASSY BLD 2X6 BK A/7	334826491	A-BK	GCP	PLR	M-B	1	-	3	-	5	-	7	-	9	-	-	-	N/A	N/A
MX150 ASSY BLD 2X6 BK A/8	334826492	A-BK	GCP	PLR	M-B	-	2	-	-	-	6	7	8	-	-	-	-	N/A	N/A
MX150 ASSY BLD 2X6 BK A/6	334826493	A-BK	GCP	PLR	M-B	-	-	-	-	5	-	7	-	9	10	11	12	N/A	N/A
MX150 ASSY BLD 2X6 BK A/8	334826494	A-BK	GCP	PLR	M-B	-	-	-	-	5	-	-	-	9	10	11	-	N/A	N/A
MX150 ASSY BLD 2X6 BK A/2	334826495	A-BK	GCP	PLR	M-B	1	2	3	4	5	6	-	8	9	10	11	-	N/A	N/A
MX150 ASSY BLD 2X6 BK A/3	334826496	A-BK	GCP	PLR	M-B	1	2	3	4	-	6	7	8	9	-	-	12	N/A	N/A
MX150 ASSY BLD 2X6 BK A/9	334826497	A-BK	GCP	PLR	M-B	-	-	-	-	-	-	7	-	9	-	-	12	N/A	N/A
MX150 ASSY BLD 2X6 BK A/3	334826498	A-BK	GCP	PLR	M-B	1	2	-	4	5	6	7	8	9	-	-	12	N/A	N/A
MX150 ASSY BLD 2X6 BK A/8	334826499	A-BK	GCP	PLR	M-B	-	-	3	-	-	-	-	-	9	10	11	-	N/A	N/A
MX150 ASSY BLD 2X6 BK A/8	334826500	A-BK	GCP	PLR	M-B	-	2	-	-	5	-	7	-	-	10	-	-	N/A	N/A
MX150 ASSY BLD 2X6 BK A/10	334826501	A-BK	GCP	PLR	M-B	-	-	-	4	-	-	7	-	-	-	-	-	N/A	N/A
MX150 ASSY BLD 2X6 BK A/9	334826502	A-BK	GCP	PLR	M-B	-	-	-	4	-	6	7	-	-	-	-	-	N/A	N/A
MX150 ASSY BLD 2X6 BK A/9	334826503	A-BK	GCP	PLR	M-B	-	-	-	-	-	6	7	8	-	-	-	-	N/A	N/A
MX150 ASSY BLD 2X6 BK A/2	334826504	A-BK	GCP	PLR	M-B	-	2	3	4	5	6	-	8	9	10	11	12	N/A	N/A
MX150 ASSY BLD 2X6 LG B/6	334826505	B-LG	GCP	PLR	M-B	-	-	-	-	5	-	-	8	9	10	11	12	N/A	N/A
MX150 ASSY BLD 2X6 BK A/9	334826506	A-BK	GCP	PLR	M-B	-	-	-	-	-	-	-	8	9	-	-	12	N/A	N/A
MX150 ASSY BLD 2X6 BK A/6	334826507	A-BK	GCP	PLR	M-B	1	2	-	4	5	6	-	8	-	-	-	-	N/A	N/A
MX150 ASSY BLD 2X6 YW A/4	334826508	A-YW	GCP	PLR	M-B	-	-	3	-	-	6	7	8	9	10	11	12	N/A	N/A
MX150 ASSY BLD 2X6 BK A/6	334826509	A-BK	GCP	PLR	M-B	-	-	-	4	5	-	7	8	-	-	11	12	N/A	N/A
MX150 ASSY BLD 2X6 BK A/8	334826510	A-BK	GCP	PLR	M-B	-	-	-	-	-	-	7	8	-	-	11	12	N/A	N/A
MX150 ASSY BLD 2X6 BK A/9	334826511	A-BK	GCP	PLR	M-B	-	-	-	-	-	-	-	8	-	-	11	12	N/A	N/A
MX150 ASSY BLD 2X6 LG B/4	334826512	B-LG	GCP	PLR	M-B	1	-	3	-	5	6	7	-	-	10	11	12	N/A	N/A
MX150 ASSY BLD 2X6 BK A/8	334826513	A-BK	GCP	PLR	M-B	1	-	3	-	-	-	-	-	9	-	-	12	N/A	N/A
MX150 ASSY BLD 2X6 BK A/5	334826514	A-BK	GCP	PLR	M-B	1	2	-	4	5	6	7	8	-	-	-	-	N/A	N/A
MX150 ASSY BLD 2X6 LG B/11	334826515	B-LG	GCP	PLR	M-B	-	-	-	-	-	-	-	8	-	-	-	-	N/A	N/A
MX150 ASSY BLD 2X6 LG B/11	334826516	B-LG	GCP	PLR	M-B	-	-	-	-	-	-	-	-	-	-	11	-	N/A	N/A
MX150 ASSY BLD 2X6 LG B/4	334826517	B-LG	GCP	PLR	M-B	-	2	3	4	5	-	7	8	9	-	11	-	N/A	N/A

ASSEMBLY DESCRIPTION	ASSEMBLY PART NUMBER	COMPONENT				BLOCKED TERMINALS						STATUS	COMMENT	OPTIONAL ATTACHMENTS SOLD SEPARATELY	
		THE PRESENCE OF AN ABBREVIATION INDICATES THE PRESENCE OF THAT COMPONENT				CAVITY WITH A NUMBER INDICATES BLOCKED TERMINAL POSITION CAVITY WITHOUT A NUMBER INDICATES OPEN TERMINAL POSITION								BACKSHELL WITH RIBS	BACKSHELL WITHOUT RIBS
		HOUSING KEY/COLOR	GROMMET CAP	PLR	MAT SEAL										
MX150 ASSY BLD 2X6 LG B/9	334826518	B-LG	GCP	PLR	M-B	-	-	-	-	-	-	SALEABLE		N/A	N/A
MX150 ASSY BLD 2X6 LG B/5	334826519	B-LG	GCP	PLR	M-B	7	-	-	-	11	12	SALEABLE		N/A	N/A
MX150 ASSY BLD 2X6 LG B/4	334826520	B-LG	GCP	PLR	M-B	1	2	3	-	-	-	SALEABLE		N/A	N/A
MX150 ASSY BLD 2X6 BK A/6	334826521	A-BK	GCP	PLR	M-B	7	8	9	-	-	12	SALEABLE		N/A	N/A
MX150 ASSY BLD 2X6 BK A/4	334826522	A-BK	GCP	PLR	M-B	1	2	3	4	5	-	SALEABLE		N/A	N/A
MX150 ASSY BLD 2X6 LG B/10	334826523	B-LG	GCP	PLR	M-B	-	-	9	-	-	-	SALEABLE		N/A	N/A
MX150 ASSY BLD 2X6 BK A/5	334826524	A-BK	GCP	PLR	M-B	1	-	-	-	-	6	SALEABLE		N/A	N/A
MX150 ASSY BLD 2X6 LG B/5	334826525	B-LG	GCP	PLR	M-B	7	8	9	10	11	12	SALEABLE		N/A	N/A
MX150 ASSY BLD 2X6 BK A/4	334826526	A-BK	GCP	PLR	M-B	-	-	3	-	-	-	SALEABLE		N/A	N/A
MX150 ASSY BLD 2X6 BK A/7	334826527	A-BK	GCP	PLR	M-B	7	8	-	-	11	12	SALEABLE		N/A	N/A
MX150 ASSY BLD 2X6 LG B/9	334826528	B-LG	GCP	PLR	M-B	1	-	-	-	-	-	SALEABLE		N/A	N/A
MX150 ASSY BLD 2X6 BK A/4	334826529	A-BK	GCP	PLR	M-B	7	8	9	10	11	12	SALEABLE		N/A	N/A
MX150 ASSY BLD 2X6 LG B/8	334826530	B-LG	GCP	PLR	M-B	-	-	3	-	-	-	SALEABLE		N/A	N/A
MX150 ASSY BLD 2X6 LG B/10	334826531	B-LG	GCP	PLR	M-B	-	-	-	10	11	12	SALEABLE		N/A	N/A
MX150 ASSY BLD 2X6 LG B/5	334826532	B-LG	GCP	PLR	M-B	-	-	-	-	11	12	SALEABLE		N/A	N/A
MX150 ASSY BLD 2X6 BK A/10	334826533	A-BK	GCP	PLR	M-B	-	-	-	4	5	6	SALEABLE		N/A	N/A
MX150 ASSY BLD 2X6 LG B/10	334826534	B-LG	GCP	PLR	M-B	-	-	-	-	11	12	SALEABLE		N/A	N/A
MX150 ASSY BLD 2X6 BK A/5	334826535	A-BK	GCP	PLR	M-B	-	-	3	-	-	-	SALEABLE		N/A	N/A
MX150 ASSY BLD 2X6 LG B/4	334826536	B-LG	GCP	PLR	M-B	1	2	3	4	-	-	SALEABLE		N/A	N/A
MX150 ASSY BLD 2X6 BK A/9	334826537	A-BK	GCP	PLR	M-B	-	8	-	10	-	12	SALEABLE		N/A	N/A
MX150 ASSY BLD 2X6 BK A/2	334826538	A-BK	GCP	PLR	M-B	7	8	9	10	11	12	SALEABLE		N/A	N/A
MX150 ASSY BLD 2X6 LG B/8	334826539	B-LG	GCP	PLR	M-B	-	-	-	-	-	-	SALEABLE		N/A	N/A
MX150 ASSY BLD 2X6 LG B/4	334826540	B-LG	GCP	PLR	M-B	7	8	9	10	-	-	SALEABLE		N/A	N/A
MX150 ASSY BLD 2X6 BK A/11	334826541	A-BK	GCP	PLR	M-B	1	2	-	-	-	6	SALEABLE		N/A	N/A
MX150 ASSY BLD 2X6 BK A/9	334826542	A-BK	GCP	PLR	M-B	-	-	9	-	-	-	SALEABLE		N/A	N/A
MX150 ASSY BLD 2X6 BK A/6	334826543	A-BK	GCP	PLR	M-B	1	2	-	-	-	12	SALEABLE		N/A	N/A
MX150 ASSY BLD 2X6 BK A/6	334826544	A-BK	GCP	PLR	M-B	-	-	-	4	5	6	SALEABLE		N/A	N/A
MX150 ASSY BLD 2X6 BK A/6	334826544	A-BK	GCP	PLR	M-B	7	8	9	-	-	-	SALEABLE		N/A	N/A
MX150 ASSY BLD 2X6 BK A/6	334826544	A-BK	GCP	PLR	M-B	-	-	3	4	5	6	SALEABLE		N/A	N/A
MX150 ASSY BLD 2X6 BK A/6	334826544	A-BK	GCP	PLR	M-B	7	8	-	-	-	-	SALEABLE		N/A	N/A

ASSEMBLY DESCRIPTION	ASSEMBLY PART NUMBER	COMPONENT				BLOCKED TERMINALS						STATUS	COMMENT	OPTIONAL ATTACHMENTS SOLD SEPARATELY	
		THE PRESENCE OF AN ABBREVIATION INDICATES THE PRESENCE OF THAT COMPONENT				CAVITY WITH A NUMBER INDICATES BLOCKED TERMINAL POSITION CAVITY WITHOUT A NUMBER INDICATES OPEN TERMINAL POSITION								BACKSHELL WITH RIBS	BACKSHELL WITHOUT RIBS
		HOUSING KEY/COLOR	GROMMET CAP	PLR	MAT SEAL										
MX150 ASSY BLD 2X6 BK A/7	334826545	A-BK	GCP	PLR	M-B	-	-	-	4	5	6	SALEABLE		N/A	N/A
						7	-	9	-	-	-				
MX150 ASSY BLD 2X6 BK A/1	334826546	A-BK	GCP	PLR	M-B	1	-	3	4	5	6	SALEABLE		N/A	N/A
						7	8	9	10	11	12				
MX150 ASSY BLD 2X6 BK A/2	334826547	A-BK	GCP	PLR	M-B	1	2	3	4	5	6	SALEABLE		N/A	N/A
						7	-	9	10	-	12				
MX150 ASSY BLD 2X6 BK A/8	334826548	A-BK	GCP	PLR	M-B	-	2	-	4	-	6	SALEABLE		N/A	N/A
						7	-	-	-	-	-				
MX150 ASSY BLD 2X6 BK A/8	334826549	A-BK	GCP	PLR	M-B	-	2	-	-	5	6	SALEABLE		N/A	N/A
						7	-	-	-	-	-				
MX150 ASSY BLD 2X6 BK A/3	334826550	A-BK	GCP	PLR	M-B	-	2	3	4	5	6	SALEABLE		N/A	N/A
						-	8	9	10	11	-				
MX150 ASSY BLD 2X6 DG C/10	334826551	C-DG	GCP	PLR	M-B	-	-	-	-	-	6	SALEABLE		N/A	N/A
						-	-	-	10	-	-				
MX150 ASSY BLD 2X6 LG B/7	334826552	B-LG	GCP	PLR	M-B	-	2	-	-	5	6	SALEABLE		N/A	N/A
						-	8	-	-	11	-				
MX150 ASSY BLD 2X6 LG B/7	334826553	B-LG	GCP	PLR	M-B	-	-	-	-	-	6	SALEABLE		N/A	N/A
						7	-	-	10	11	12				
MX150 ASSY BLD 2X6 LG B/9	334826554	B-LG	GCP	PLR	M-B	1	-	-	-	-	-	SALEABLE		N/A	N/A
						-	8	-	10	-	-				
MX150 ASSY BLD 2X6 BK A/11	334826555	A-BK	GCP	PLR	M-B	-	-	-	-	-	-	SALEABLE		N/A	N/A
						-	-	-	-	-	12				
MX150 ASSY BLD 2X6 LG B/9	334826556	B-LG	GCP	PLR	M-B	1	2	-	-	5	-	SALEABLE		N/A	N/A
						-	-	-	-	-	-				
MX150 ASSY BLD 2X6 LG B/8	334826557	B-LG	GCP	PLR	M-B	1	2	-	4	5	-	SALEABLE		N/A	N/A
						-	-	-	-	-	-				
MX150 ASSY BLD 2X6 BK A/7	334826558	A-BK	GCP	PLR	M-B	1	2	-	4	5	-	SALEABLE		N/A	N/A
						-	-	9	-	-	-				
MX150 ASSY BLD 2X6 BK A/8	334826559	A-BK	GCP	PLR	M-B	1	2	-	-	5	-	SALEABLE		N/A	N/A
						-	-	9	-	-	-				
MX150 ASSY BLD 2X6 BK A/8	334826560	A-BK	GCP	PLR	M-B	-	-	3	4	-	-	SALEABLE		N/A	N/A
						7	8	-	-	-	-				
MX150 ASSY BLD 2X6 BK A/10	334826561	A-BK	GCP	PLR	M-B	-	-	-	4	-	6	SALEABLE		N/A	N/A
						-	-	-	-	-	-				
MX150 ASSY BLD 2X6 BK A/10	334826562	A-BK	GCP	PLR	M-B	-	2	-	4	-	-	SALEABLE		N/A	N/A
						-	-	-	-	-	-				
MX150 ASSY BLD 2X6 BK A/9	334826563	A-BK	GCP	PLR	M-B	-	2	-	4	5	-	SALEABLE		N/A	N/A
						-	-	-	-	-	-				
MX150 ASSY BLD 2X6 BK A/8	334826564	A-BK	GCP	PLR	M-B	-	-	-	-	-	-	SALEABLE		N/A	N/A
						7	8	9	10	-	-				
MX150 ASSY BLD 2X6 BK A/8	334826565	A-BK	GCP	PLR	M-B	-	2	-	4	5	-	SALEABLE		N/A	N/A
						-	-	-	-	-	12				
MX150 ASSY BLD 2X6 BK A/10	334826566	A-BK	GCP	PLR	M-B	-	-	-	-	-	-	SALEABLE		N/A	N/A
						-	-	-	10	11	-				
MX150 ASSY BLD 2X6 DG C/11	334826567	C-DG	GCP	PLR	M-B	-	2	-	-	-	-	SALEABLE		N/A	N/A
						-	-	-	-	-	-				
MX150 ASSY BLD 2X6 BK A/4	334826568	A-BK	GCP	PLR	M-B	1	2	3	4	-	-	SALEABLE		N/A	N/A
						7	8	-	-	11	12				
MX150 ASSY BLD 2X6 BK A/8	334826569	A-BK	GCP	PLR	M-B	1	2	3	4	-	-	SALEABLE		N/A	N/A
						-	-	-	-	-	-				
MX150 ASSY BLD 2X6 BK A/6	334826570	A-BK	GCP	PLR	M-B	-	-	-	-	5	-	SALEABLE		N/A	N/A
						-	8	9	10	11	12				
MX150 ASSY BLD 2X6 BK A/7	334826571	A-BK	GCP	PLR	M-B	-	-	-	-	-	6	SALEABLE		N/A	N/A
						7	-	-	10	11	12				

ASSEMBLY DESCRIPTION	ASSEMBLY PART NUMBER	COMPONENT				BLOCKED TERMINALS						STATUS	COMMENT	OPTIONAL ATTACHMENTS SOLD SEPARATELY	
		THE PRESENCE OF AN ABBREVIATION INDICATES THE PRESENCE OF THAT COMPONENT				CAVITY WITH A NUMBER INDICATES BLOCKED TERMINAL POSITION CAVITY WITHOUT A NUMBER INDICATES OPEN TERMINAL POSITION								BACKSHELL WITH RIBS	BACKSHELL WITHOUT RIBS
		HOUSING KEY/COLOR	GROMMET CAP	PLR	MAT SEAL										
MX150 ASSY BLD 2X6 BK A/9	334826572	A-BK	GCP	PLR	M-B	-	-	-	4	-	-	SALEABLE		N/A	N/A
MX150 ASSY BLD 2X6 BK A/7	334826573	A-BK	GCP	PLR	M-B	-	-	9	10	-	-	SALEABLE		N/A	N/A
MX150 ASSY BLD 2X6 DG C/11	334826574	C-DG	GCP	PLR	M-B	-	-	-	-	5	-	SALEABLE		N/A	N/A
MX150 ASSY BLD 2X6 BK A/7	334826575	A-BK	GCP	PLR	M-B	1	-	-	-	-	-	SALEABLE		N/A	N/A
MX150 ASSY BLD 2X6 BK A/5	334826576	A-BK	GCP	PLR	M-B	-	8	-	10	11	12	SALEABLE		N/A	N/A
MX150 ASSY BLD 2X6 LG B/5	334826577	B-LG	GCP	PLR	M-B	1	-	-	-	5	-	SALEABLE		N/A	N/A
MX150 ASSY BLD 2X6 LG B/7	334826578	B-LG	GCP	PLR	M-B	7	8	-	10	11	12	SALEABLE		N/A	N/A
MX150 ASSY BLD 2X6 BK A/6	334826579	A-BK	GCP	PLR	M-B	1	-	-	-	-	-	SALEABLE		N/A	N/A
MX150 ASSY BLD 2X6 BK A/7	334826580	A-BK	GCP	PLR	M-B	7	8	-	10	11	12	SALEABLE		N/A	N/A
MX150 ASSY BLD 2X6 BK A/7	334826581	A-BK	GCP	PLR	M-B	1	2	3	-	-	-	SALEABLE		N/A	N/A
MX150 ASSY BLD 2X6 LG B/4	334826582	B-LG	GCP	PLR	M-B	7	8	-	-	-	-	SALEABLE		N/A	N/A
MX150 ASSY BLD 2X6 BK A/7	334826583	A-BK	GCP	PLR	M-B	1	2	-	4	-	-	SALEABLE		N/A	N/A
MX150 ASSY BLD 2X6 BK A/6	334826584	A-BK	GCP	PLR	M-B	7	8	9	10	11	12	SALEABLE		N/A	N/A
MX150 ASSY BLD 2X6 BK A/9	334826586	A-BK	GCP	PLR	M-B	-	-	-	4	-	6	SALEABLE		N/A	N/A
MX150 ASSY BLD 2X6 BK A/9	334826587	A-BK	GCP	PLR	M-B	-	-	-	10	-	-	SALEABLE		N/A	N/A
MX150 ASSY BLD 2X6 BK A/2	334826588	A-BK	GCP	PLR	M-B	-	-	-	-	5	-	SALEABLE		N/A	N/A
MX150 ASSY BLD 2X6 BK A/8	334826589	A-BK	GCP	PLR	M-B	1	-	3	4	5	6	SALEABLE		N/A	N/A
MX150 ASSY BLD 2X6 BK A/9	334826590	A-BK	GCP	PLR	M-B	7	8	9	10	-	12	SALEABLE		N/A	N/A
MX150 ASSY BLD 2X6 BK A/6	334826591	A-BK	GCP	PLR	M-B	-	2	-	-	5	-	SALEABLE		N/A	N/A
MX150 ASSY BLD 2X6 BK A/3	334826592	A-BK	GCP	PLR	M-B	-	-	-	10	-	12	SALEABLE		N/A	N/A
MX150 ASSY BLD 2X6 BK A/4	334826593	A-BK	GCP	PLR	M-B	-	-	-	4	5	-	SALEABLE		N/A	N/A
MX150 ASSY BLD 2X6 BK A/10	334826594	A-BK	GCP	PLR	M-B	1	2	3	4	-	6	SALEABLE		N/A	N/A
MX150 ASSY BLD 2X6 BK A/11	334826595	A-BK	GCP	PLR	M-B	7	8	9	10	-	-	SALEABLE		N/A	N/A
MX150 ASSY BLD 2X6 BK A/8	334826596	A-BK	GCP	PLR	M-B	1	-	3	4	-	6	SALEABLE		N/A	N/A
MX150 ASSY BLD 2X6 BK A/8	334826597	A-BK	GCP	PLR	M-B	7	8	9	10	-	-	SALEABLE		N/A	N/A
MX150 ASSY BLD 2X6 BK A/8	334826597	A-BK	GCP	PLR	M-B	-	2	-	-	-	-	SALEABLE		N/A	N/A
MX150 ASSY BLD 2X6 BK A/8	334826597	A-BK	GCP	PLR	M-B	-	-	-	10	-	-	SALEABLE		N/A	N/A
MX150 ASSY BLD 2X6 BK A/8	334826597	A-BK	GCP	PLR	M-B	-	-	-	-	-	-	SALEABLE		N/A	N/A
MX150 ASSY BLD 2X6 BK A/8	334826597	A-BK	GCP	PLR	M-B	-	-	-	10	-	-	SALEABLE		N/A	N/A
MX150 ASSY BLD 2X6 BK A/8	334826597	A-BK	GCP	PLR	M-B	-	-	-	4	-	-	SALEABLE		N/A	N/A
MX150 ASSY BLD 2X6 BK A/8	334826597	A-BK	GCP	PLR	M-B	-	-	9	10	11	-	SALEABLE		N/A	N/A
MX150 ASSY BLD 2X6 BK A/8	334826597	A-BK	GCP	PLR	M-B	-	-	-	4	5	6	SALEABLE		N/A	N/A
MX150 ASSY BLD 2X6 BK A/8	334826597	A-BK	GCP	PLR	M-B	-	-	-	10	-	-	SALEABLE		N/A	N/A

TABLE OF CONTENTS	
SHEET NO.	SHEET DESCRIPTION
1	NOTES AND BOM
2	CONFIGURATIONS
3-4	KEY CONFIGURATIONS
5	BLADE SEALED ASSEMBLY
6	SYSTEM PACKAGING
7	BACKSHELL NOTES
8	BACKSHELL
9	BACKSHELL CONFIGURATIONS

NOTES: VALID UNLESS OTHERWISE SPECIFIED

1. GENERAL:
a. APPLICATION SPECIFICATION SEE: AS-33472-100
-CONTAINS: PRODUCT INTRODUCTION, PRODUCT SUMMARY, CONNECTOR ASSEMBLY, PACKAGING INFORMATION, CONNECTOR MATING, SERVICE INSTRUCTIONS, ELECTRICAL CONTINUITY CHECKING, CRIMPING, AND TROUBLESHOOTING.
-DESIGNED TO MATE WITH RECEPTACLE SEALED ASSEMBLY AS SPECIFIED IN THE MATING CONNECTOR DRAWINGS CHART.
*DENOTES DRAWINGS THAT CAN BE ACCESSED AT <http://ewcap.uscarteams.org/>.
-ASSEMBLY SHIPPED WITH PLR IN PRE-LOCK POSITION (SEE PLR PRE-LOCK VIEW SHEET 5).

b. PRODUCT SPECIFICATION SEE:
-STANDARD CONFIGURATION: PS-33472-000
-UL V0 CONFIGURATION: TBD
CONTAINS: PRODUCT INTRODUCTION, PRODUCT SUMMARY, RATINGS (CURRENT, TEMPERATURE, SEALING, AND FLAMMABILITY), TERMINALS, WIRE DIAMETER RANGE, PRODUCT VALIDATION, AND PRODUCT DEVIATIONS.

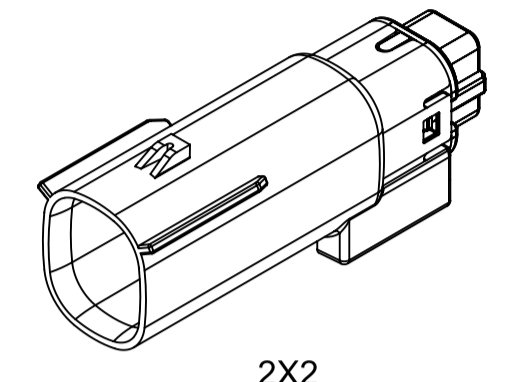
c. PACKAGING SPECIFICATION PER MOLEX DRAWING: PK-31300-903
d. PARTS MUST BE IN COMPLIANCE TO MOLEX CHEMICAL SUBSTANCES FOR PRODUCTS AND PACKAGING SPECIFICATION: QEHS-699000-300
e. DATA MUST BE SUBMITTED UNDER THE MOLEX PART NUMBER TO IMDS (COMPANY ID#13255)

2. DESIGN - MATERIALS:
a. FOR BILL OF MATERIALS: SEE BOM CHART

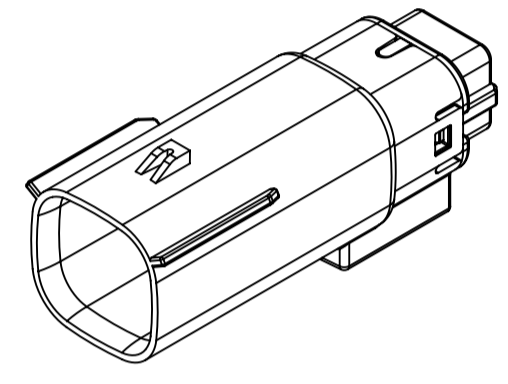
3. DESIGN - GEOMETRY:
a. THE 3-D CAD DATA IS BASIC (WITHOUT TOLERANCE) AND MASTER FOR THIS PART WITH THE EXCEPTION OF UNDERLINED DIMENSIONS. DIMENSIONAL INFORMATION NOT SHOWN ON THIS DRAWING IS DEFINED BY THE DATA FILE AT ITS LATEST REVISION.
b. GEOMETRIC DIMENSIONS AND TOLERANCES PER ASME Y14.5M-2009
c. EDGES AND UNDIMENSIONED DETAILS PER ISO13715
d. CORNERS SHOWN AS SHARP TO BE R 0.2 MAX.
e. LETTERING SHALL BE 0.15 MAX RAISED IN 0.25 MAX RECESS PAD. THIS INCLUDES RECYCLING CODE, CAVITY ID, VENDOR IDENTIFICATION, AND CUSTOMER MATERIAL NUMBER.
f. VISUAL DEFECTS SHALL MEET COSMETIC STANDARD PS-45499-002 (Class B).
g. LASER MARKING:
1. PART NUMBER
2. DAY OF THE YEAR
3. SHIFT
4. YEAR
FOR ADDITIONAL INFORMATION SEE SECTION 5 UNDER PROCEDURES IN ES-34735-008.

BILL OF MATERIALS (BOM)	
DESCRIPTION	DRAWING NO.
UL V0 VERSION	SD-160084-0002
STANDARD 2X2	334820402
STANDARD 2X3	334820602
STANDARD 2X4	334820802
STANDARD 2X6	334821202
STANDARD 2X8	334821602
STANDARD 2X10	334822002

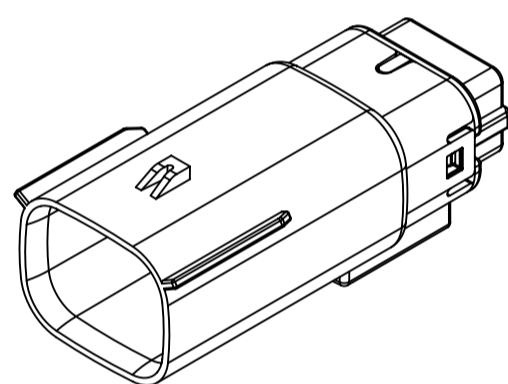
MATING CONNECTOR DRAWINGS	
DESCRIPTION	MOLEX INLINE
2X2	SD-33472-0001
2X3	SD-33472-0001
2X4	SD-33472-0001
2X6	SD-33472-0001
2X8	SD-33472-0001
2X10	SD-33472-0001



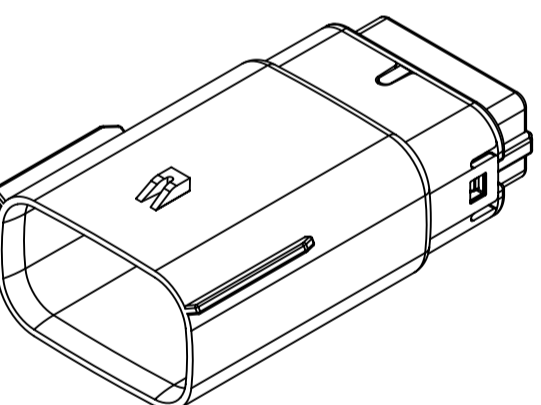
2X2



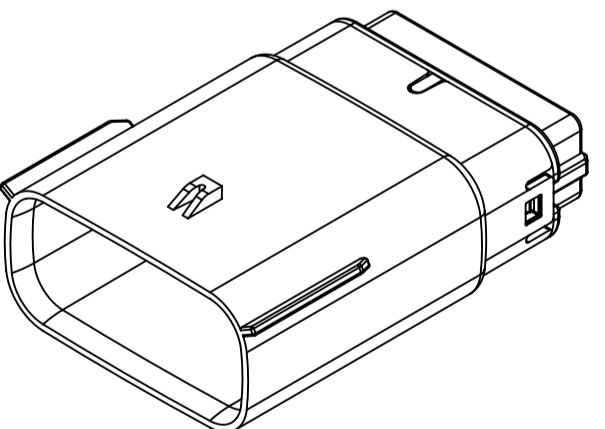
2X3



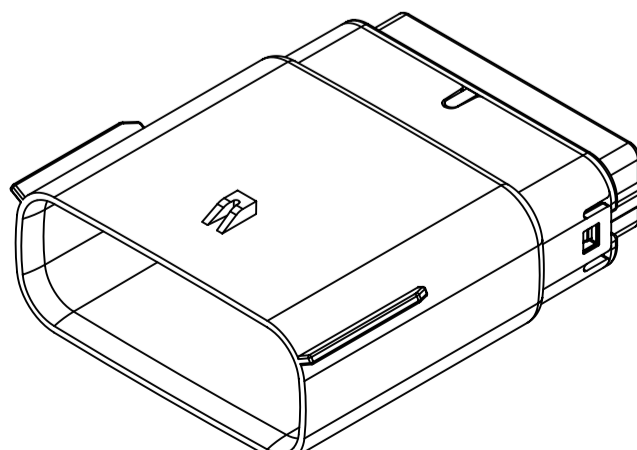
2X4



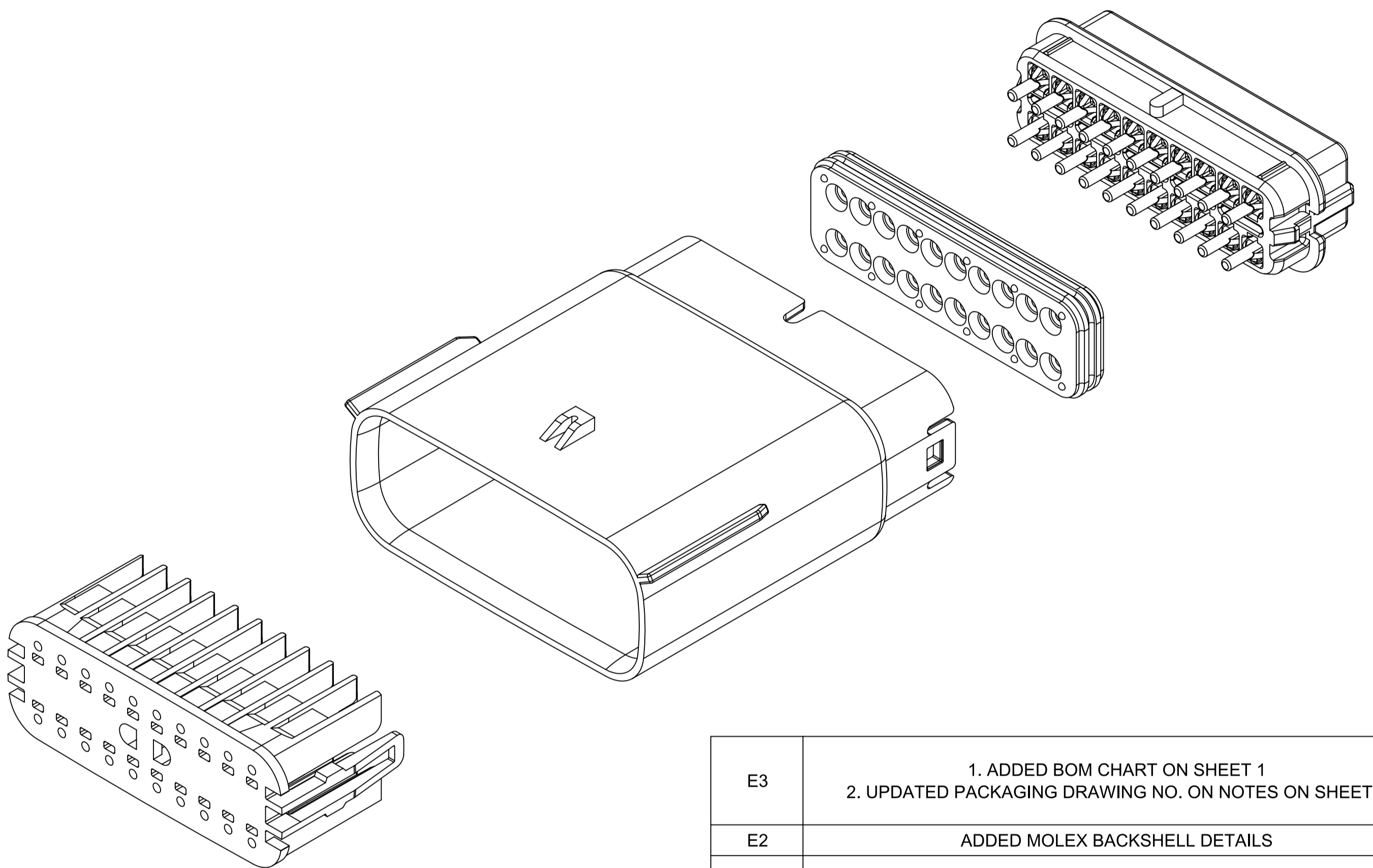
2X6



2X8



2X10

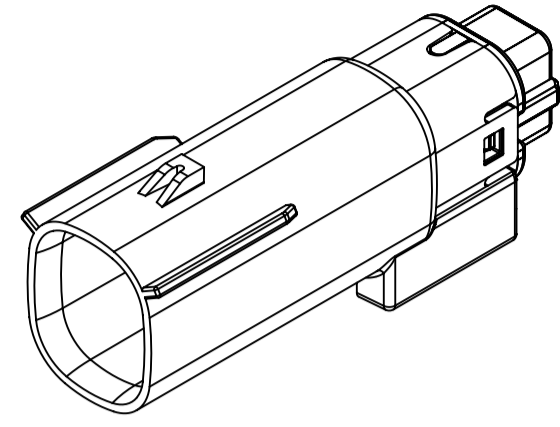


INSPECTION NUMBER LOG	
LAST NUMBER:	9
ADDED:	
REMOVED:	

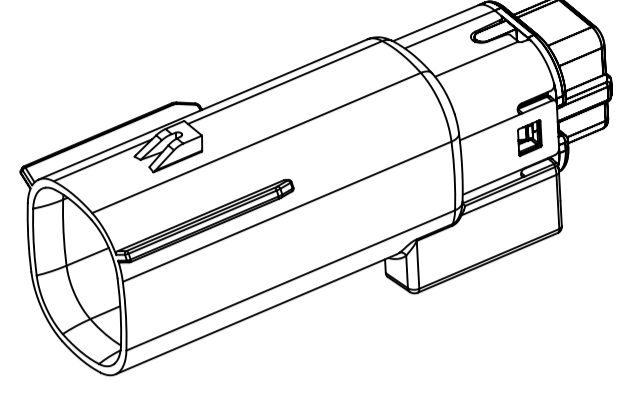
E3	1. ADDED BOM CHART ON SHEET 1 2. UPDATED PACKAGING DRAWING NO. ON NOTES ON SHEET 1
E2	ADDED MOLEX BACKSHELL DETAILS
E1	MIGRATED FROM COCREATE AND IMPORTED DXF FILES
E	ADDED CHARTED DIMENSIONS FOR 2X2, 2X4, 2X6 AND 2X8 WITH CLIPSLLOT
D	MINOR GEOMETRY CHANGE FOR UL V0
C3	ADD 2X4
C2	ADD 2X3
C1	ADD UL V0 CONFIGURATIONS
C	ADD 2X8
B1	ADD 2X6 BACKSHELL INFO
B	ADD 2X6
A	INITIAL RELEASE
REV	REV DESCRIPTION

FUNCTIONAL SYMBOLS FA = 0 FC = 0 FP = 0 DIVISIONAL SYMBOLS	THIS DRAWING CONTAINS INFORMATION THAT IS PROPRIETARY TO MOLEX ELECTRONIC TECHNOLOGIES, LLC AND SHOULD NOT BE USED WITHOUT WRITTEN PERMISSION DIMENSION UNITS: mm SCALE: 1.5:1 GENERAL TOLERANCES (UNLESS SPECIFIED) ANGULAR TOL ± 1' 4 PLACES ± 3 PLACES ± 2 PLACES ± 0.100 1 PLACE ± 0.20 0 PLACES ± DRAFT WHERE APPLICABLE MUST REMAIN WITHIN DIMENSIONS	CURRENT REV DESC: STATUS: Production DRWN: Yann Chen CHK'D: Yu Chao Fu APPR: Elvis Song THIRD ANGLE PROJECTION	DRIVING: A1-SIZE SERIES: 33482 MATERIAL NUMBER: SD-33482-0001 CUSTOMER: GENERAL MARKET SHEET NUMBER: 1 OF 11
	MOLEX MX150 BLADE DUAL ROW SEALED ASSEMBLY PRODUCT SALES DRAWING	DOCUMENT NUMBER: SD-33482-0001 DOC TYPE: PSD DOC PART: 001 REVISION: E3	

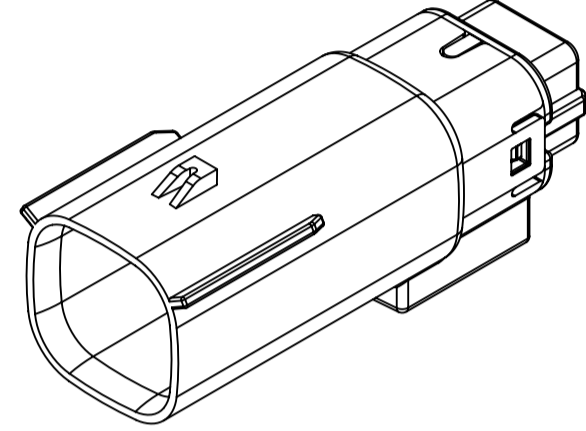
SHEET DESCRIPTION
CONFIGURATIONS



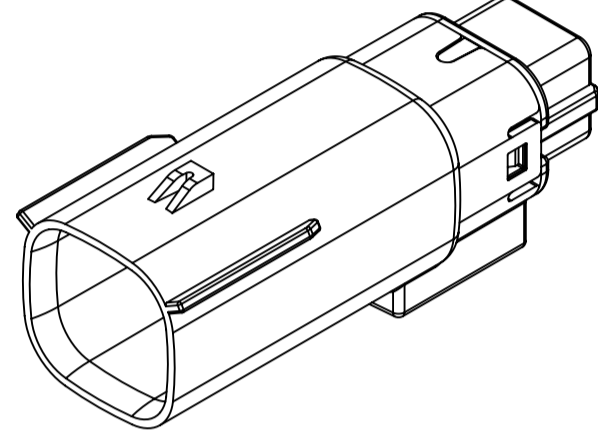
2X2 - STANDARD (STD)



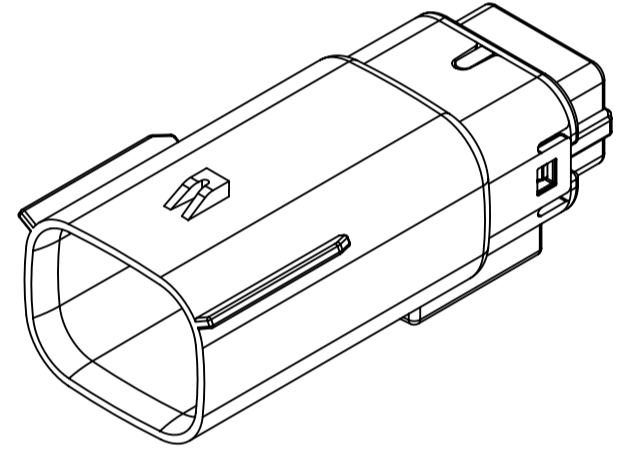
2X2 - UL V0*



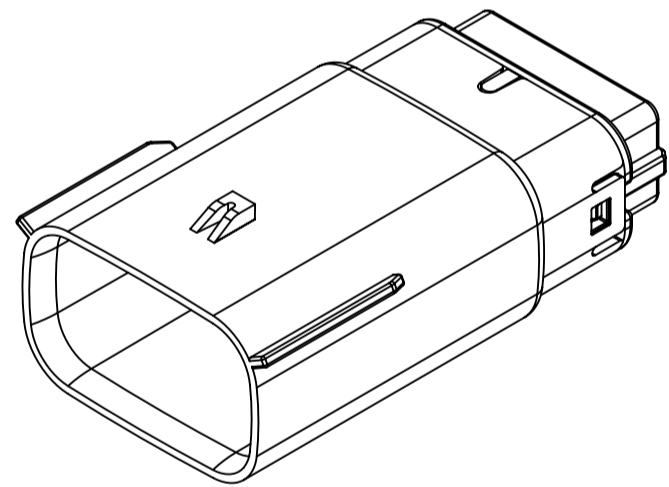
2X3 - STANDARD (STD)



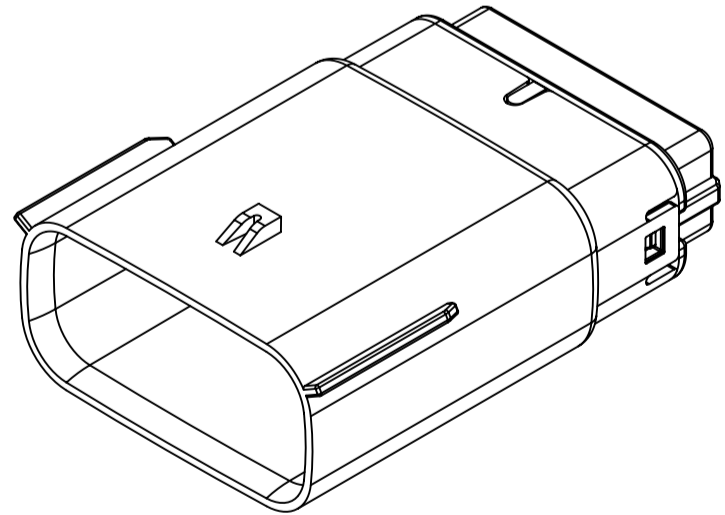
2X3 - LENGTHENED



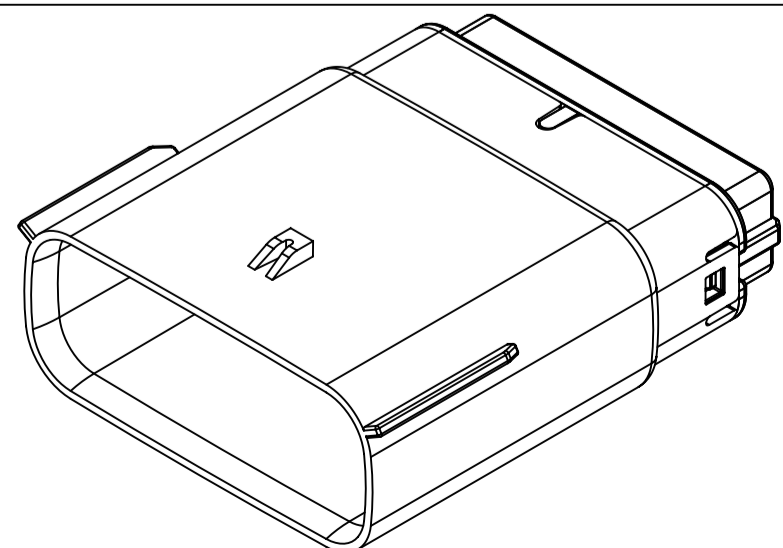
2X4 - STANDARD (STD)



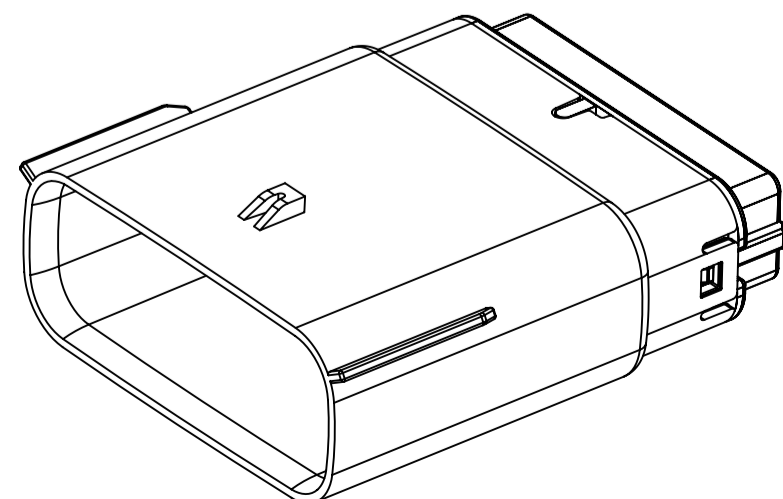
2X6 - STANDARD (STD)



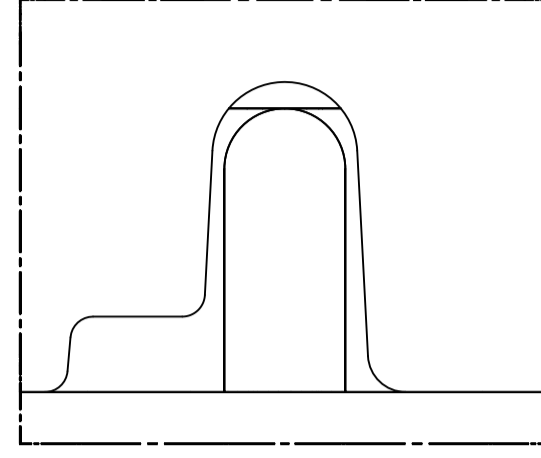
2X8 - STANDARD (STD)



2X10 - STANDARD (STD)



2X10 - UL V0*

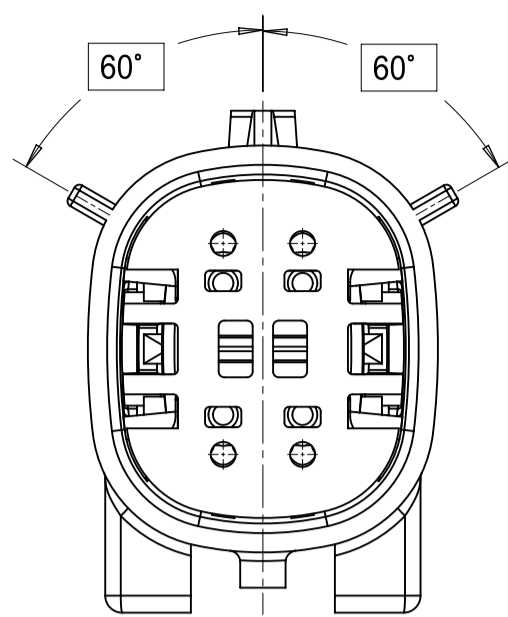


UL V0 UNIQUE FEATURE
Partial1
SCALE 10:1

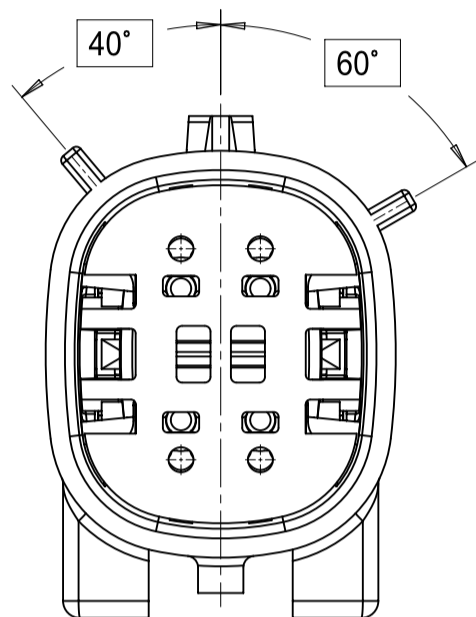
* MINOR GEOMETRY CHANGE THAN STANDARD CONFIGURATION.
SEE NOTE 2a FOR MORE INFORMATION

FUNCTIONAL SYMBOLS	THIS DRAWING CONTAINS INFORMATION THAT IS PROPRIETARY TO MOLEX ELECTRONIC TECHNOLOGIES, LLC AND SHOULD NOT BE USED WITHOUT WRITTEN PERMISSION		CURRENT REV DESC:							
	DIMENSION UNITS	SCALE							DRWING	SERIES
$\frac{F}{A} = 0$	mm	1.5:1	STATUS: Production DRWN: Yann Chen CHK'D: Yu Chao Fu APPR: Elvis Song	2023-09-26 2023-09-26 2023-09-27	DOCUMENT NUMBER		DOC TYPE	DOC PART	REVISION	
$\frac{F}{C} = 0$	GENERAL TOLERANCES (UNLESS SPECIFIED)				SD-33482-0001		PSD	001	E3	
$\frac{F}{P} = 0$	ANGULAR TOL ± 1'				PRODUCT SALES DRAWING		GENERAL MARKET		2 OF 11	
DIVISIONAL SYMBOLS	4 PLACES	±			THIRD ANGLE PROJECTION		A1-SIZE		33482	
	3 PLACES	±			DRAFT WHERE APPLICABLE MUST REMAIN WITHIN DIMENSIONS					
	2 PLACES	± 0.100								
	1 PLACE	± 0.20								
	0 PLACES	±								

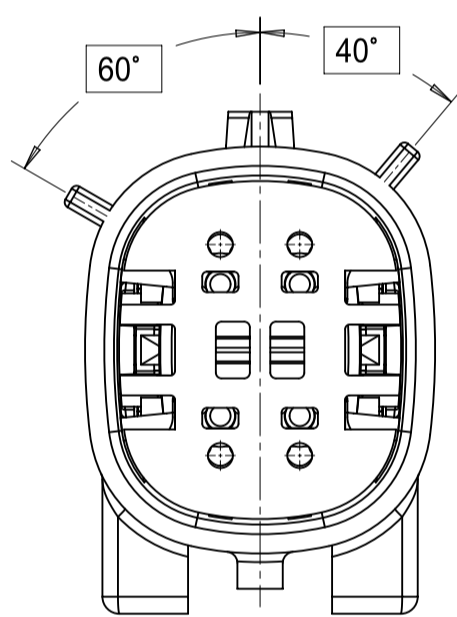
2X2



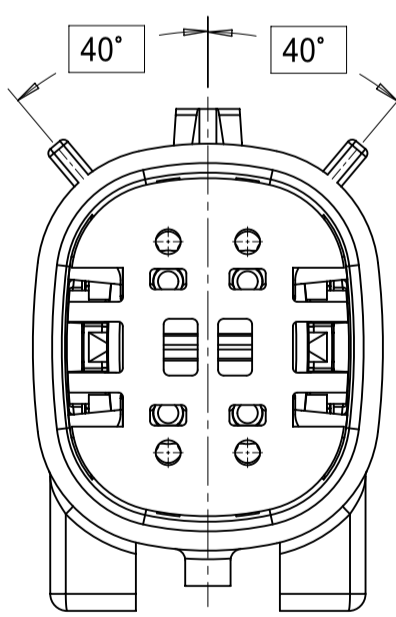
KEY A



KEY B

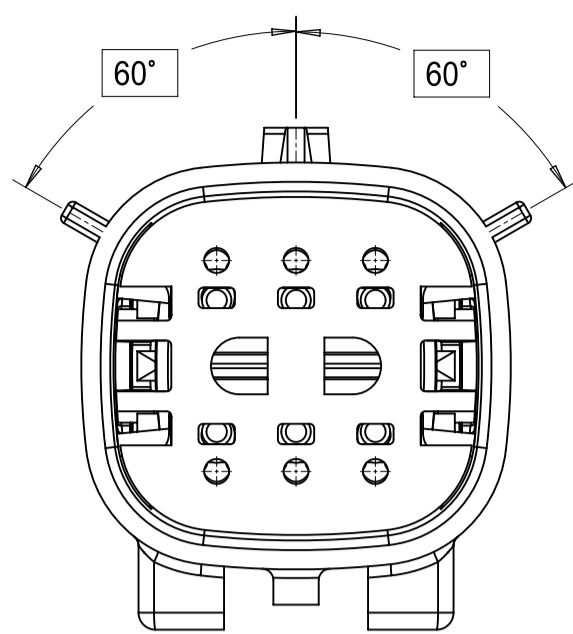


KEY C

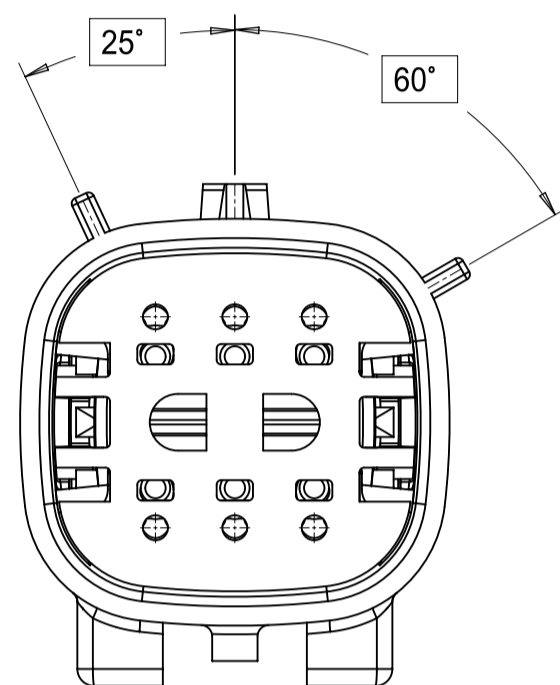


KEY D

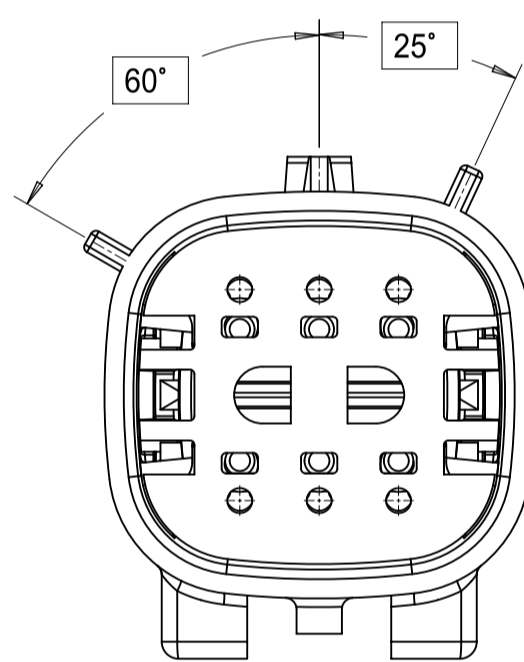
2X3



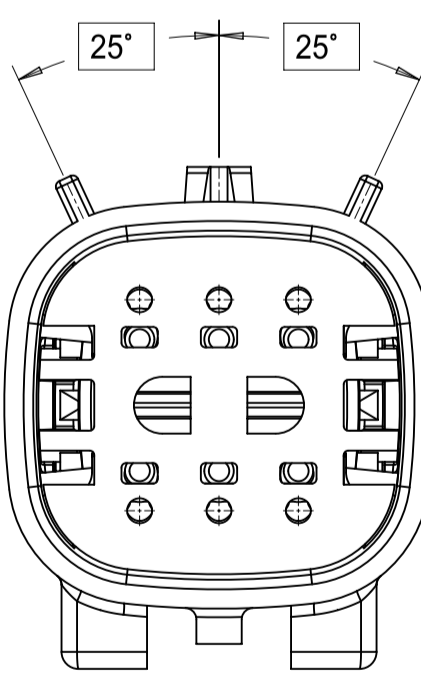
KEY A



KEY B

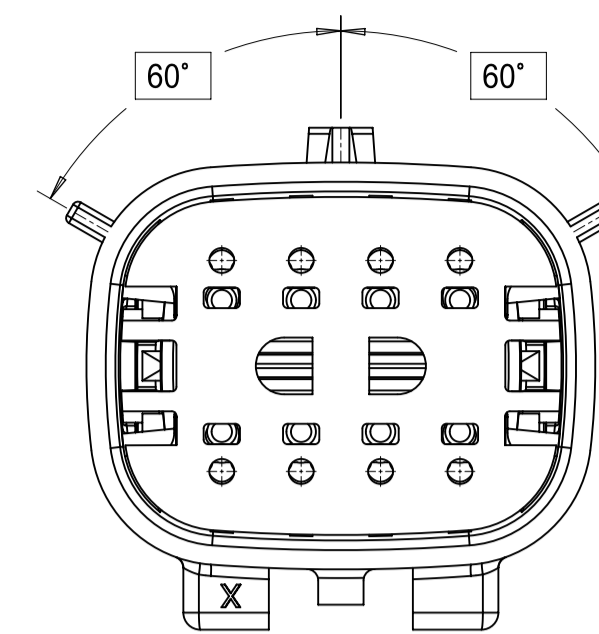


KEY C

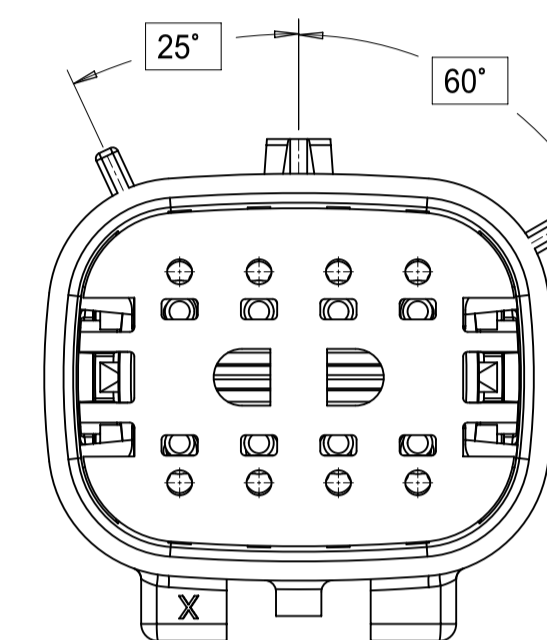


KEY D

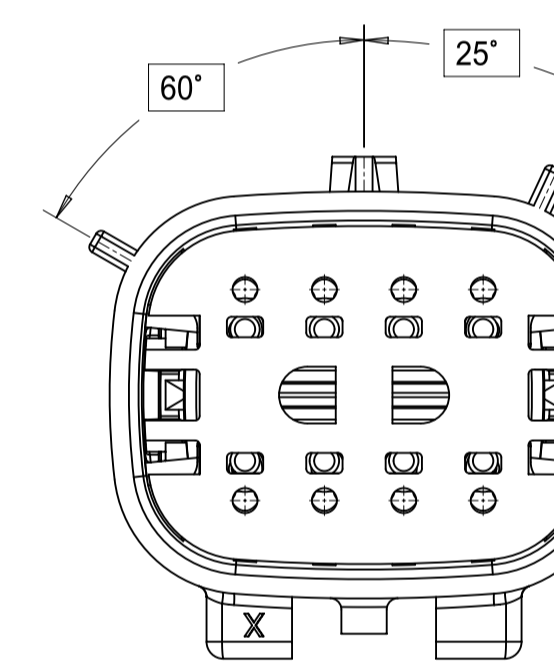
2X4



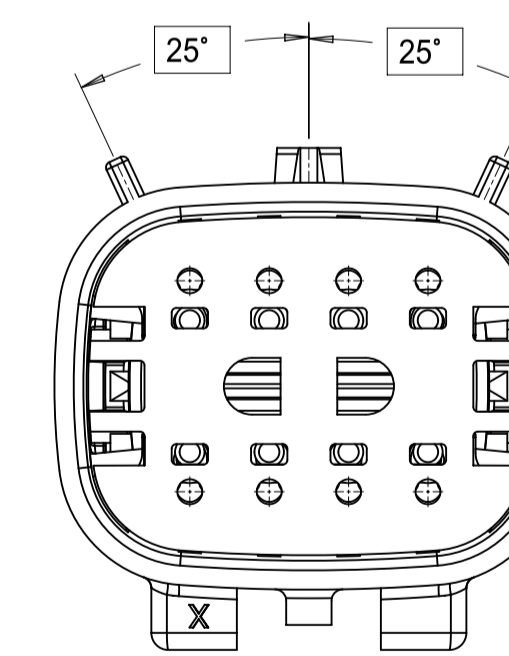
KEY A



KEY B



KEY C



KEY D

FUNCTIONAL SYMBOLS FA = 0 FC = 0 FP = 0 DIVISIONAL SYMBOLS 2 PLACES ± 0.100 1 PLACE ± 0.20 0 PLACES ±	THIS DRAWING CONTAINS INFORMATION THAT IS PROPRIETARY TO MOLEX ELECTRONIC TECHNOLOGIES, LLC AND SHOULD NOT BE USED WITHOUT WRITTEN PERMISSION		CURRENT REV DESC:	
	DIMENSION UNITS mm	SCALE 3:1	STATUS: Production DRWN: Yann Chen CHK'D: Yu Chao Fu APPR: Elvis Song	
	GENERAL TOLERANCES (UNLESS SPECIFIED) ANGULAR TOL ± 1°		2023-09-26 2023-09-26 2023-09-27	DOCUMENT NUMBER SD-33482-0001
	DRAFT WHERE APPLICABLE MUST REMAIN WITHIN DIMENSIONS		THIRD ANGLE PROJECTION 	DRAWING A1-SIZE
		SERIES 33482	CUSTOMER GENERAL MARKET	SHEET NUMBER 3 OF 11

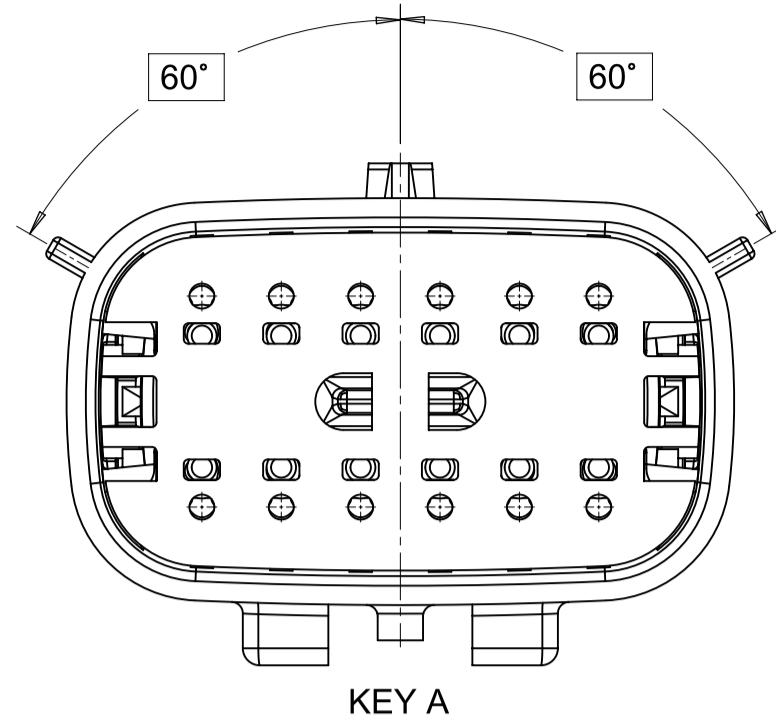
molex

MX150 BLADE
DUAL ROW SEALED ASSEMBLY

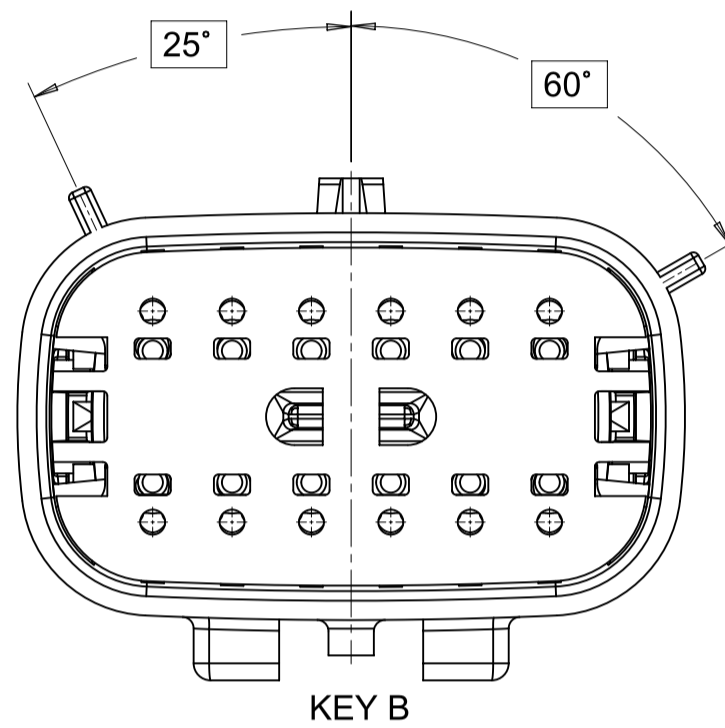
PRODUCT SALES DRAWING

DOC TYPE	DOC PART	REVISION
PSD	001	E3

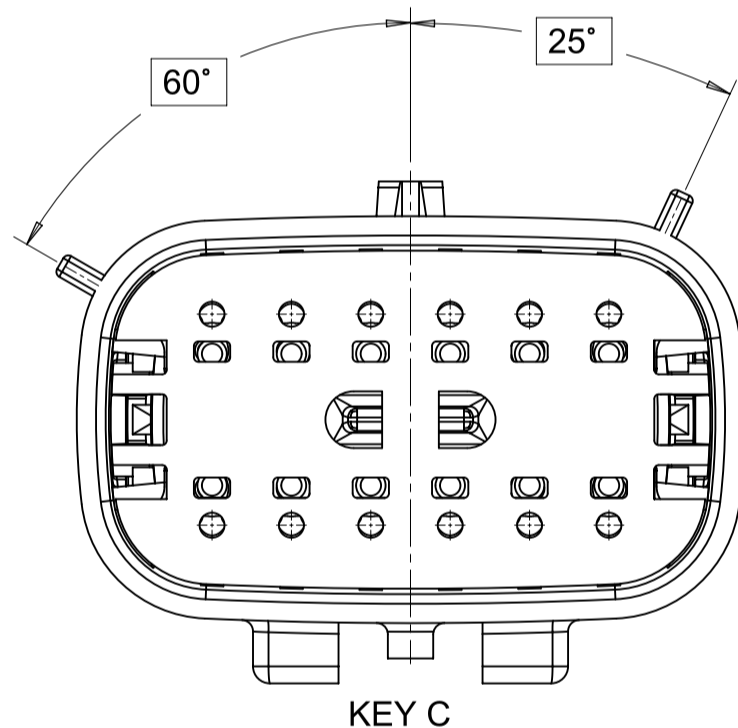
2X6



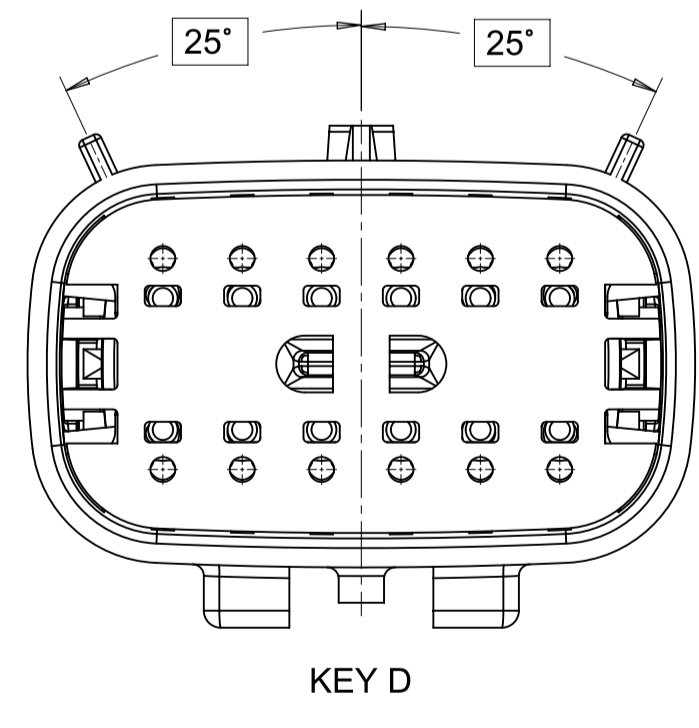
KEY A



KEY B

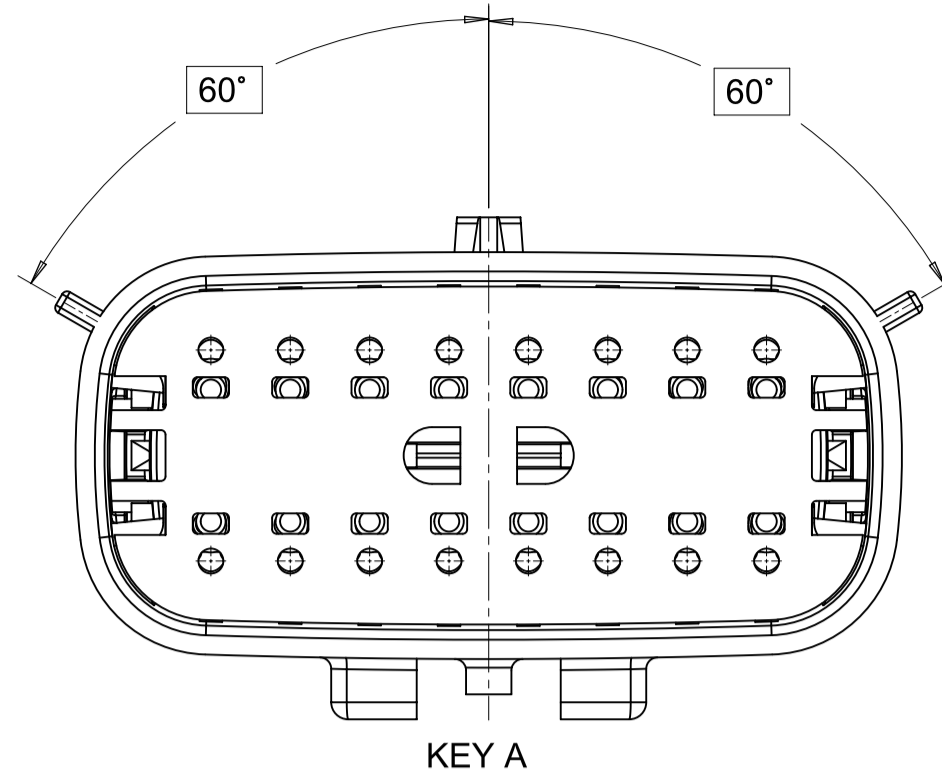


KEY C

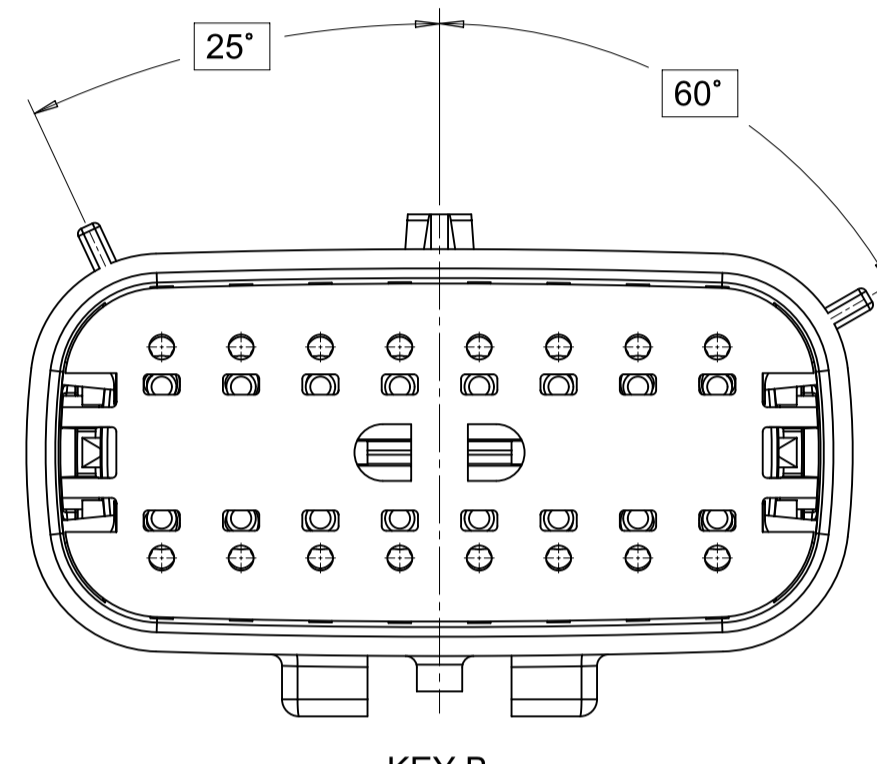


KEY D

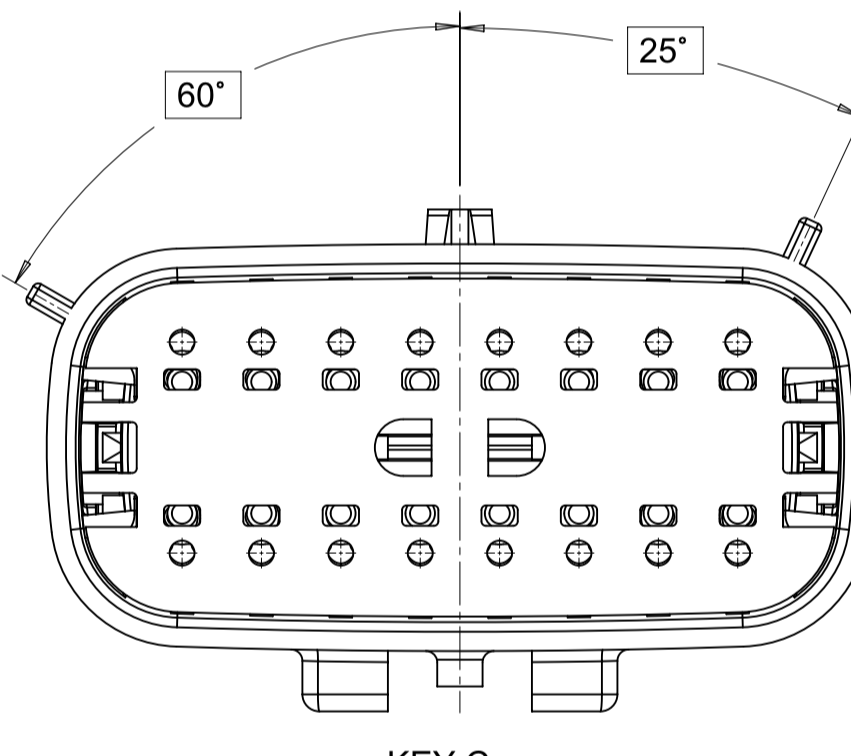
2X8



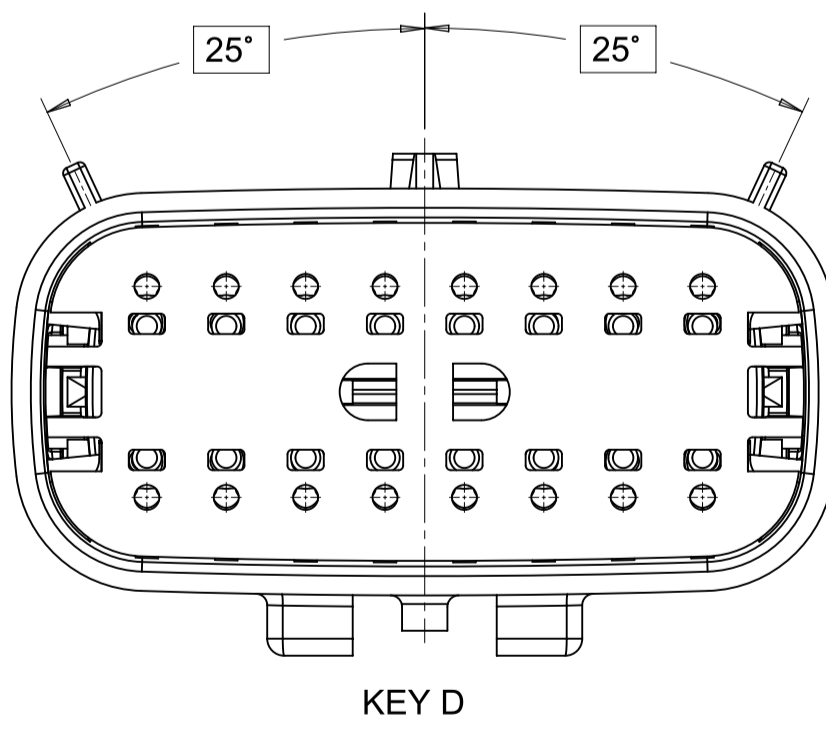
KEY A



KEY B

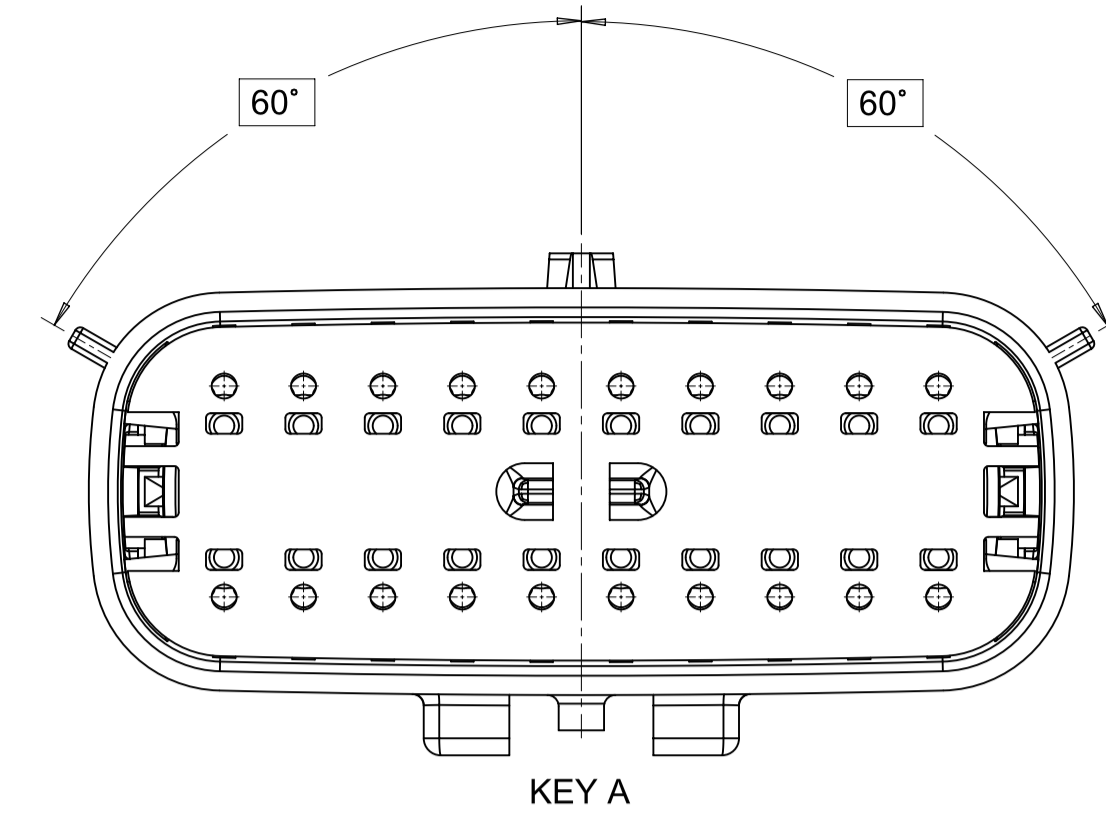


KEY C

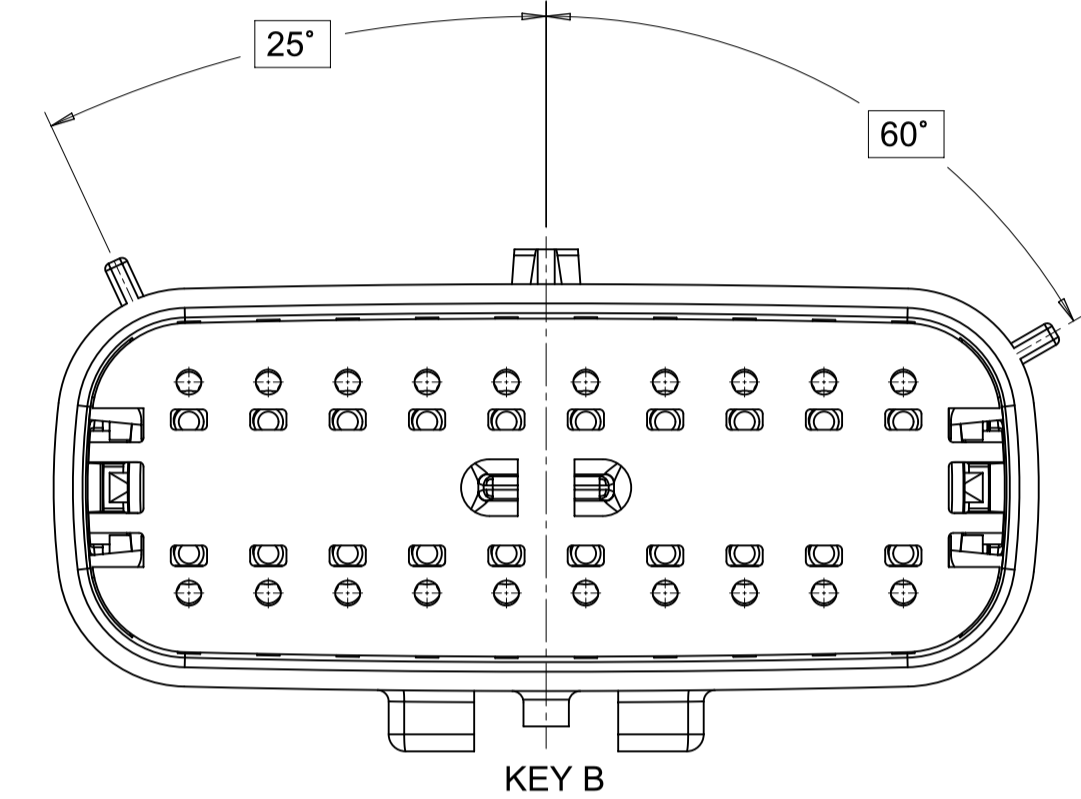


KEY D

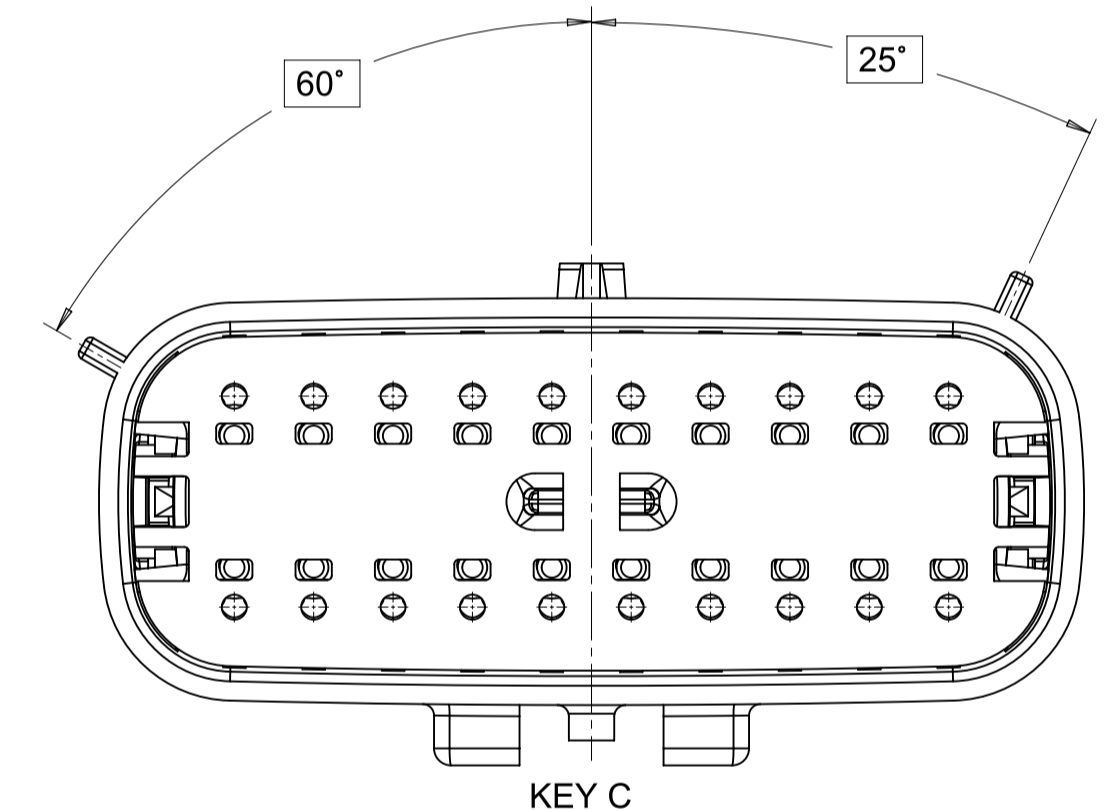
2X10



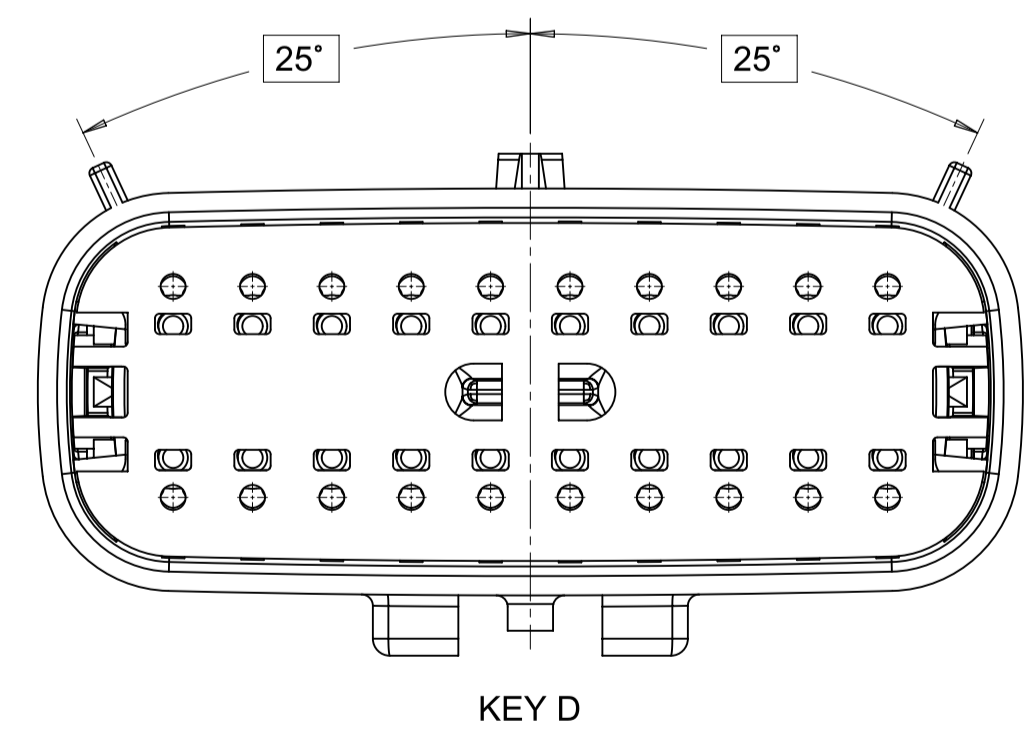
KEY A



KEY B



KEY C

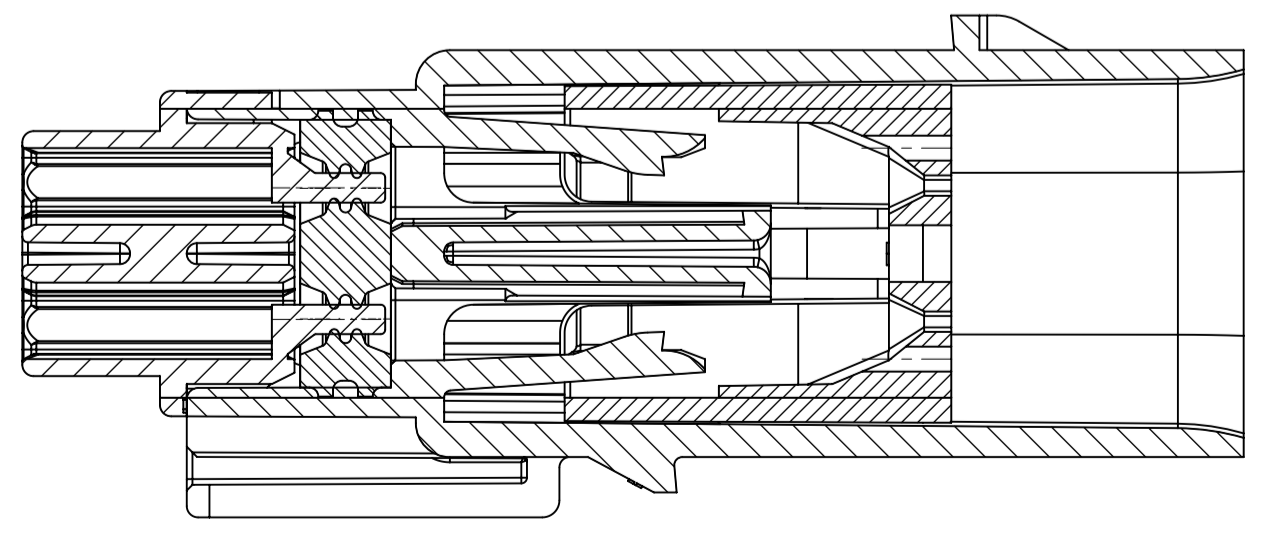
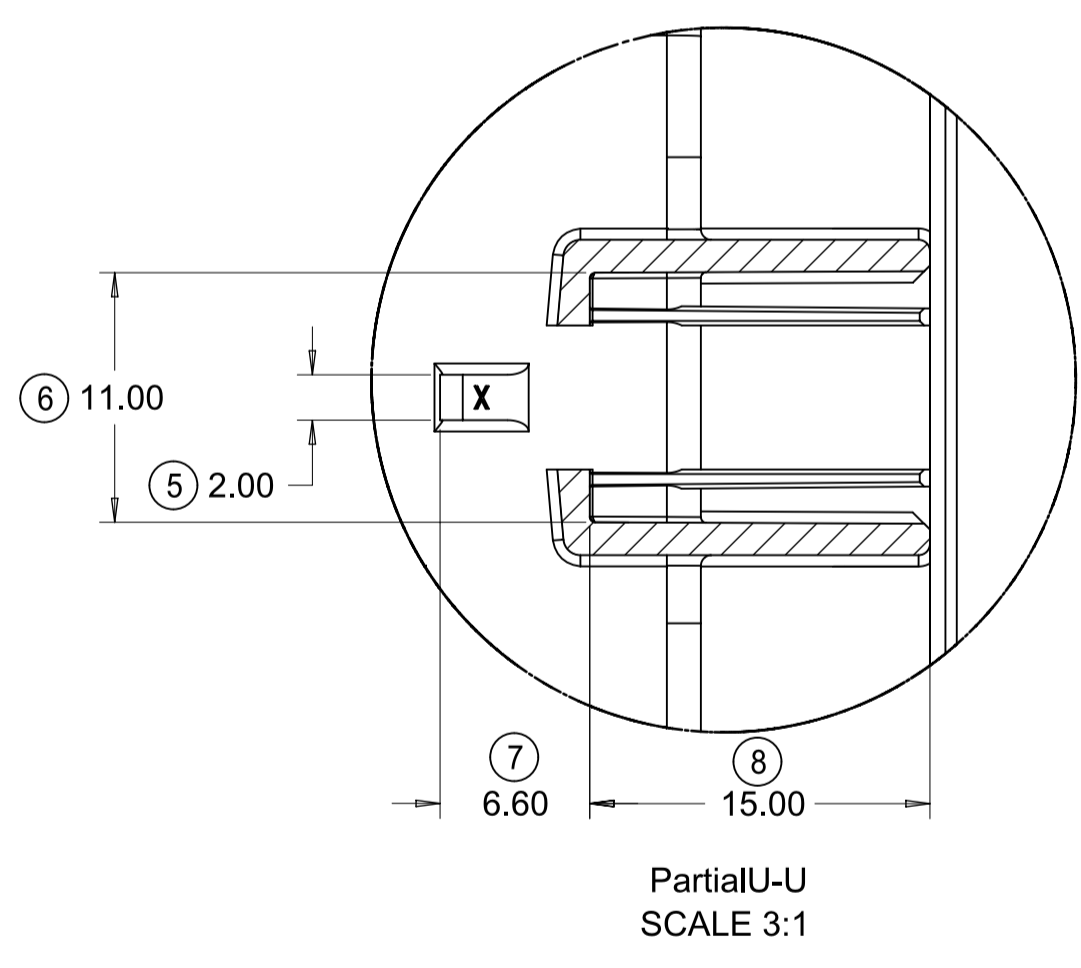
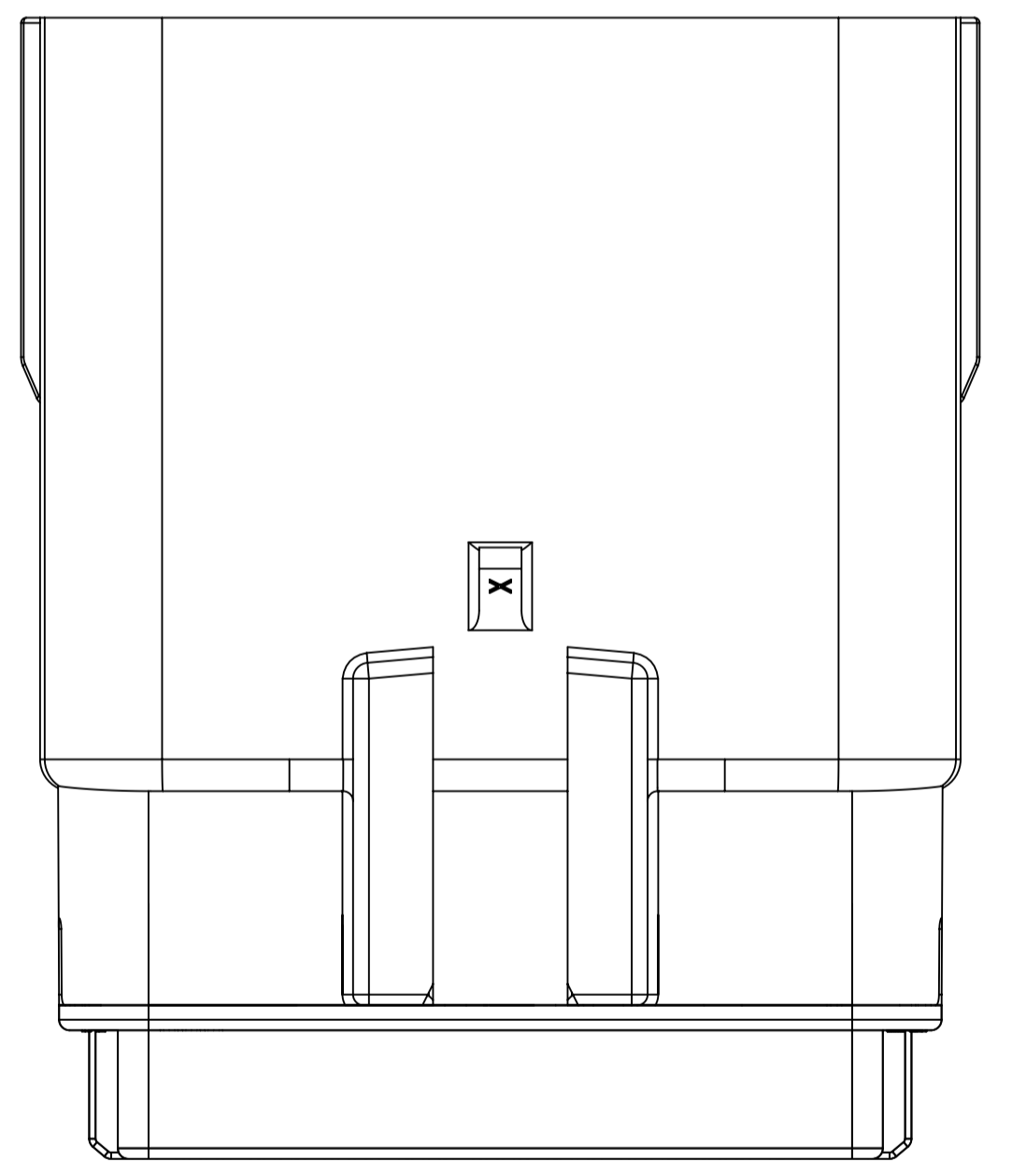
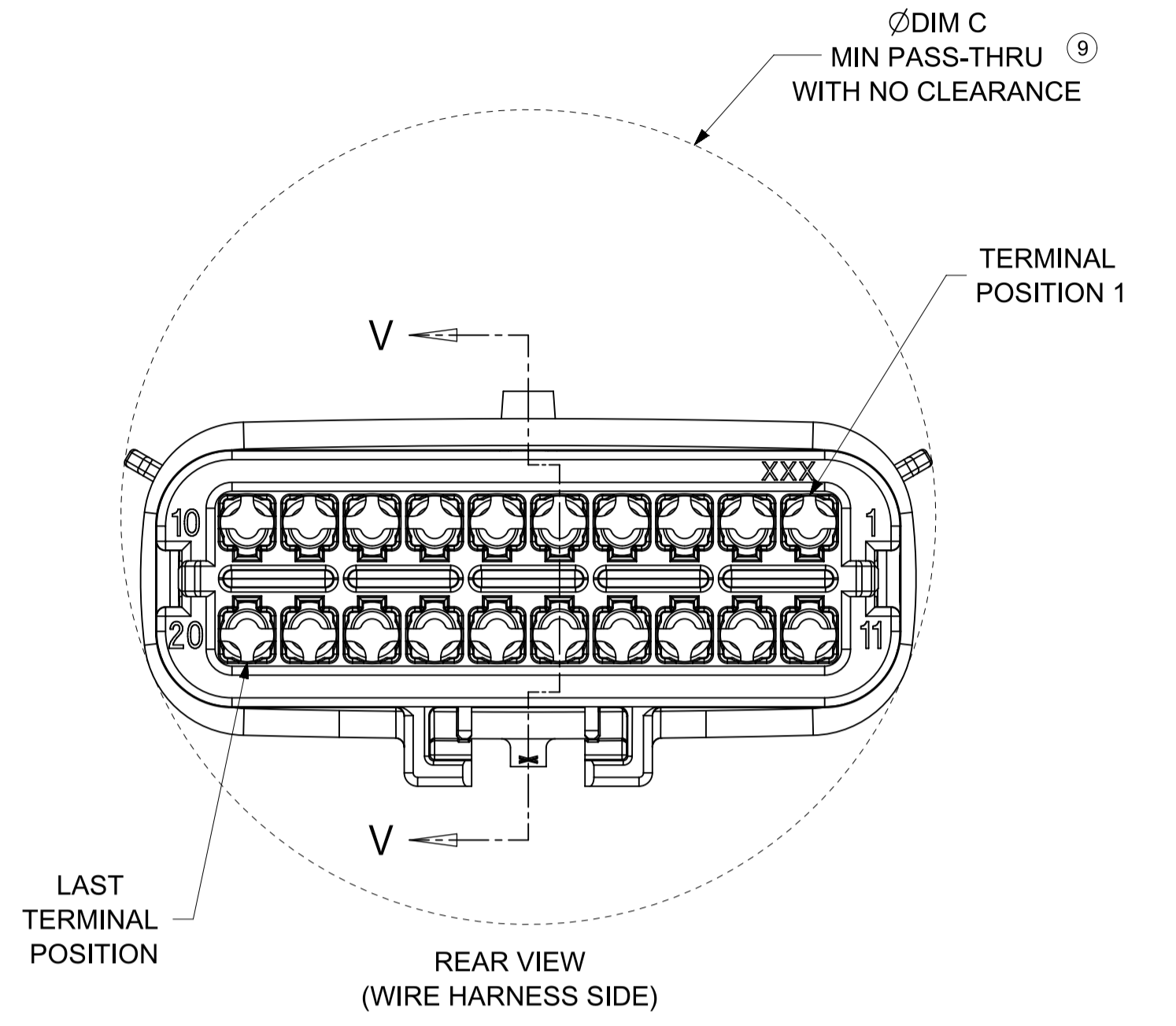
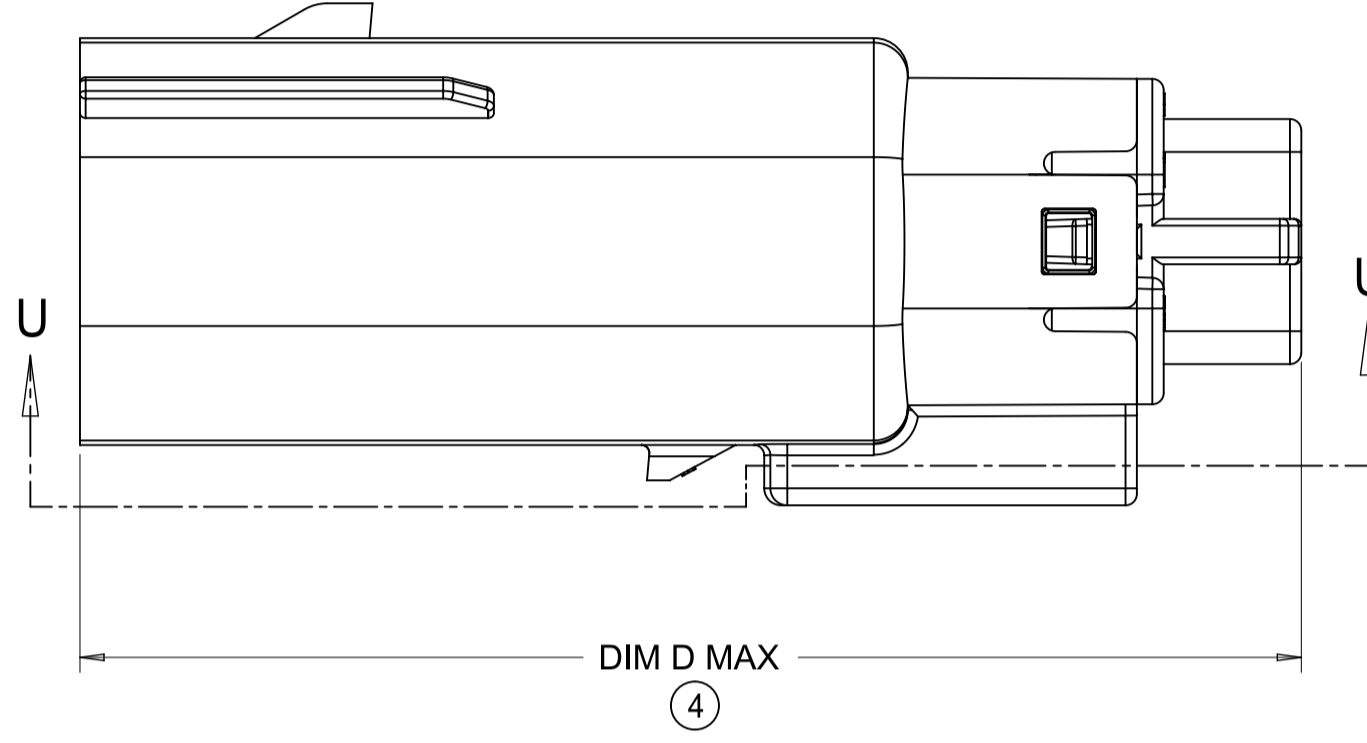
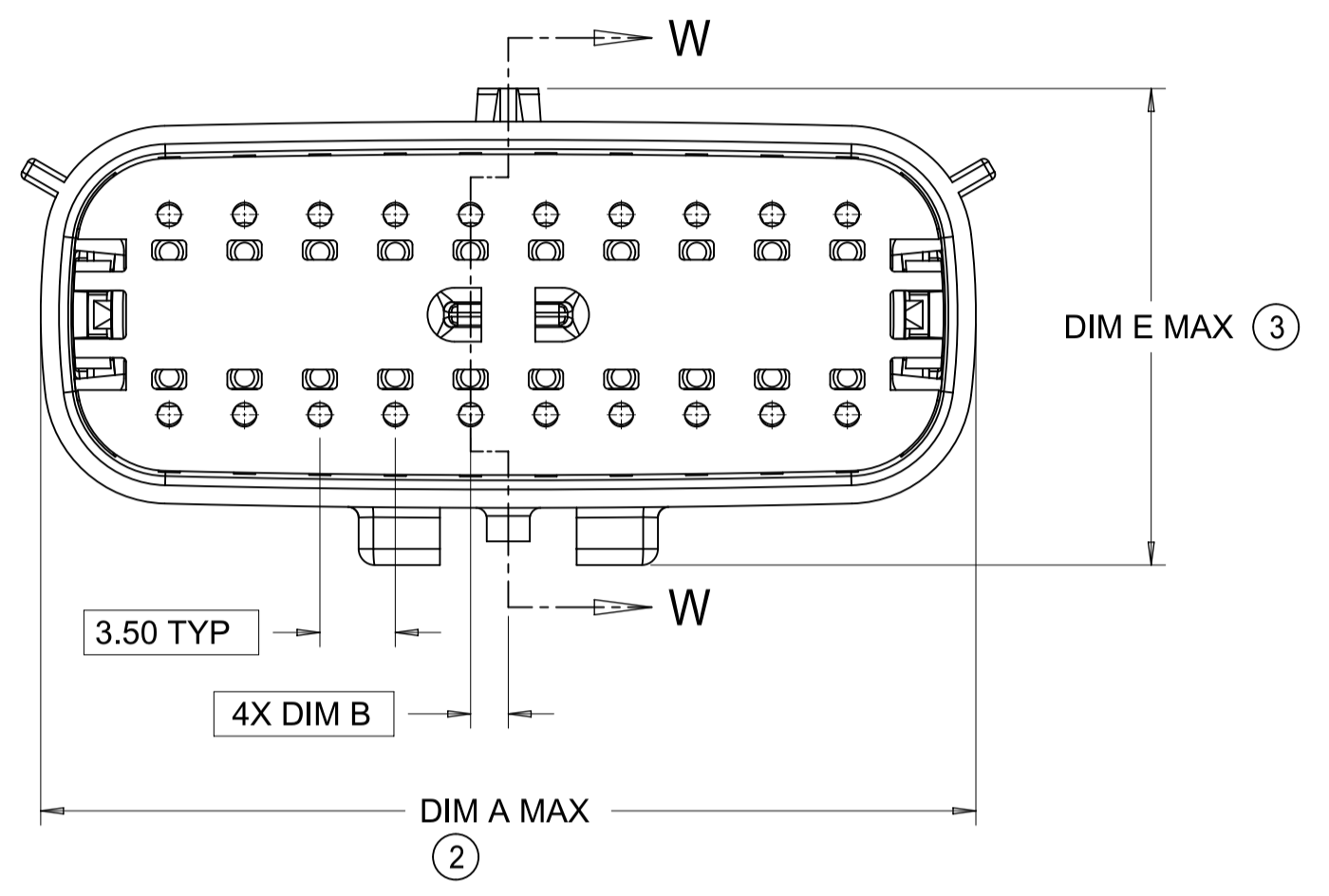
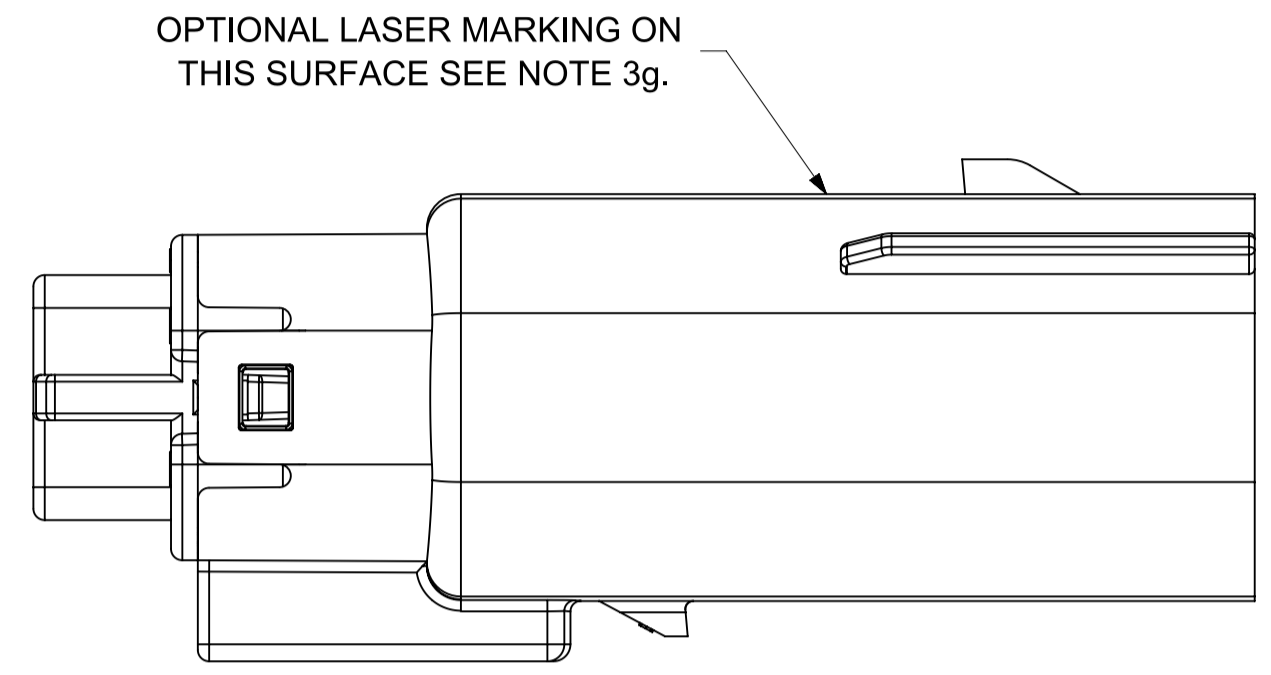


KEY D

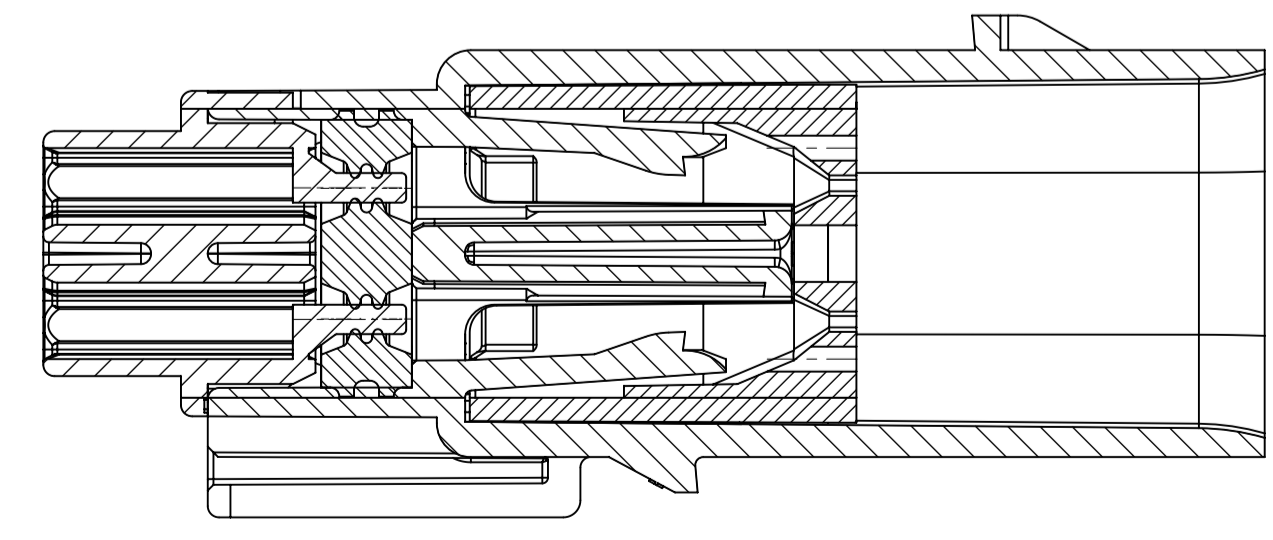
FUNCTIONAL SYMBOLS	THIS DRAWING CONTAINS INFORMATION THAT IS PROPRIETARY TO MOLEX ELECTRONIC TECHNOLOGIES, LLC AND SHOULD NOT BE USED WITHOUT WRITTEN PERMISSION		CURRENT REV DESC:					
	DIMENSION UNITS	SCALE						
$\frac{E}{A} = 0$	mm	3:1	STATUS: Production DRWN: Yann Chen CHK'D: Yu Chao Fu APPR: Elvis Song		PRODUCT SALES DRAWING			
$\frac{E}{C} = 0$	GENERAL TOLERANCES (UNLESS SPECIFIED)							
$\frac{E}{P} = 0$	ANGULAR TOL ± 1'							
DIVISIONAL SYMBOLS	4 PLACES	±						
	3 PLACES	±						
	2 PLACES	± 0.100						
	1 PLACE	± 0.20	2023-09-26 2023-09-26 2023-09-27	DOCUMENT NUMBER SD-33482-0001	DOC TYPE PSD	DOC PART 001	REVISION E3	
	0 PLACES	±	DRAFT WHERE APPLICABLE MUST REMAIN WITHIN DIMENSIONS	THIRD ANGLE PROJECTION 	DRAWING A1-SIZE	SERIES 33482	MATERIAL NUMBER CUSTOMER GENERAL MARKET	SHEET NUMBER 4 OF 11

SHEET DESCRIPTION	
BLADE SEALED ASSEMBLY	

DESCRIPTION	CHARTED DIMENSION				
	A	B	C	D	E
2X2	15.54	1.75	24.40	54.45	22.23
2X3 STANDARD	19.04	3.50	26.21	54.45	22.23
2X3 LENGTHENED	19.04	3.50	26.21	56.45	22.23
2X4	22.54	1.75	27.21	54.45	22.23
2X6	29.54	1.75	32.27	54.45	22.23
2X8	36.54	1.75	38.88	54.45	22.23
2X10	43.64	1.75	45.65	54.45	22.05



PRIMARY LOCK REINFORCEMENT (PLR) SHOWN IN PRE-STAGED POSITION
SECTION W-W

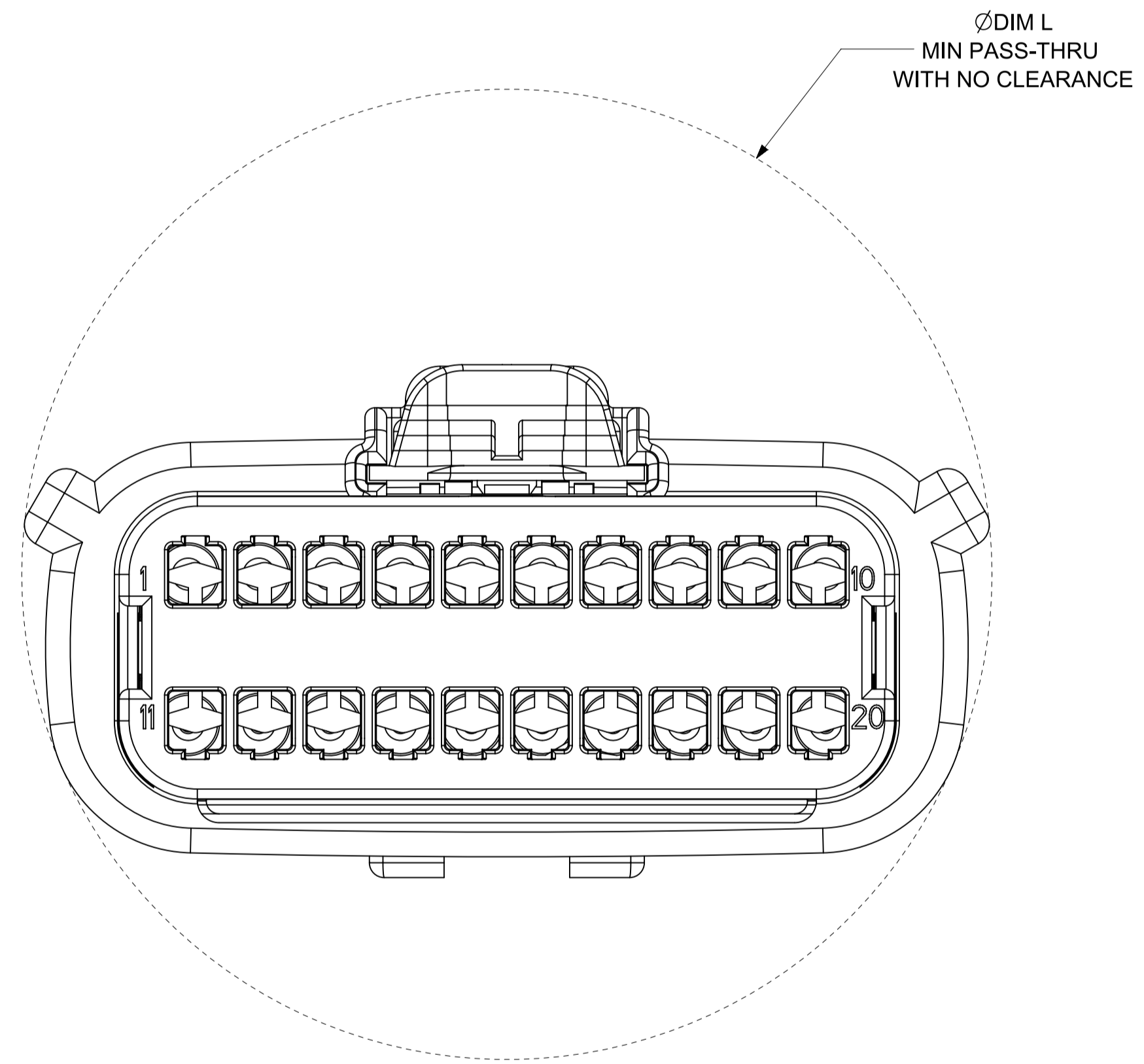
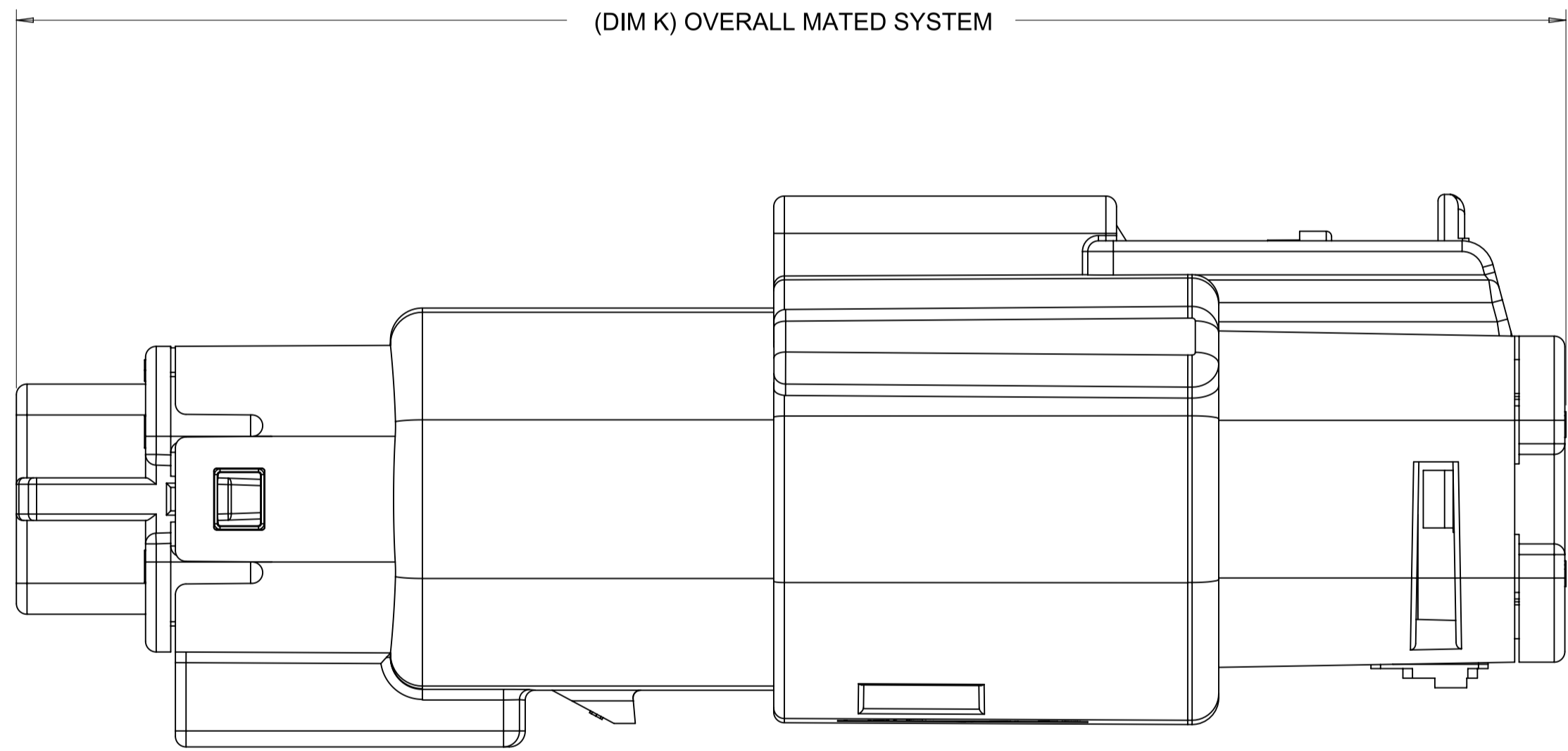


PRIMARY LOCK REINFORCEMENT (PLR) SHOWN IN FINAL-LOCK POSITION
SECTION V-V

FUNCTIONAL SYMBOLS FA = 0 FE = 0 FP = 0 DIVISIONAL SYMBOLS	THIS DRAWING CONTAINS INFORMATION THAT IS PROPRIETARY TO MOLEX ELECTRONIC TECHNOLOGIES, LLC AND SHOULD NOT BE USED WITHOUT WRITTEN PERMISSION		CURRENT REV DESC:		
	DIMENSION UNITS	SCALE			
	mm	3:1			MX150 BLADE DUAL ROW SEALED ASSEMBLY
GENERAL TOLERANCES (UNLESS SPECIFIED)					
ANGULAR TOL ± 1°					PRODUCT SALES DRAWING
4 PLACES ±					
3 PLACES ±					STATUS: Production DRWN: Yann Chen CHK'D: Yu Chao Fu APPR: Elvis Song
2 PLACES ± 0.100					
1 PLACE ± 0.20					2023-09-26 2023-09-26 2023-09-27
0 PLACES ±					
DRAFT WHERE APPLICABLE MUST REMAIN WITHIN DIMENSIONS			THIRD ANGLE PROJECTION	DRAWING	SHEET NUMBER
				A1-SIZE	33482
				SERIES	33482
				MATERIAL NUMBER	SD-33482-0001
				CUSTOMER	GENERAL MARKET
				DOC TYPE DOC PART REVISION	PSD 001 E3
					SHEET NUMBER
					5 OF 11

SHEET DESCRIPTION
SYSTEM PACKAGING

CHARTED DIMENSION				
CKT	BLADE CONFIGURATION	RECEPTACLE CONFIGURATION	DIMENSIONS	
			K	L
2X2	STANDARD	W/O CLIPSLOT	72.78	28.00
		W/ CLIPSLOT	72.78	28.50
		LENGTHENED	77.21	28.00
2X3	STANDARD	W/O CLIPSLOT	72.78	28.00
		W/ CLIPSLOT		30.50
	LENGTHENED	W/O CLIPSLOT	74.79	28.00
		W/ CLIPSLOT		30.50
2X4	STANDARD	W/O CLIPSLOT	72.78	29.50
		W/ CLIPSLOT		31.50
2X6	STANDARD	W/O CLIPSLOT	72.79	35.58
		W/ CLIPSLOT		
2X8	STANDARD	W/O CLIPSLOT	72.67	42.25
		W/ CLIPSLOT		
2X10	STANDARD	STANDARD	72.78	49.05

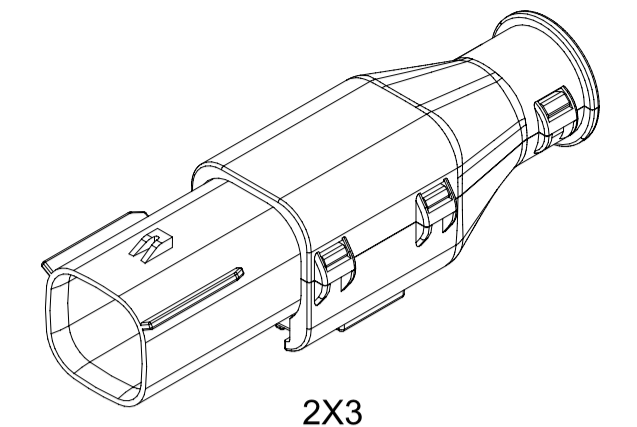


FUNCTIONAL SYMBOLS $\frac{F}{A} = 0$ $\frac{F}{C} = 0$ $\frac{F}{P} = 0$ DIVISIONAL SYMBOLS	THIS DRAWING CONTAINS INFORMATION THAT IS PROPRIETARY TO MOLEX ELECTRONIC TECHNOLOGIES, LLC AND SHOULD NOT BE USED WITHOUT WRITTEN PERMISSION DIMENSION UNITS: mm SCALE: 4:1	CURRENT REV DESC: STATUS: Production DRWN: Yann Chen CHK'D: Yu Chao Fu APPR: Elvis Song				
	GENERAL TOLERANCES (UNLESS SPECIFIED) ANGULAR TOL ± 1° 4 PLACES ± 3 PLACES ± 2 PLACES ± 0.100 1 PLACE ± 0.20 0 PLACES ±	2023-09-26 2023-09-26 2023-09-27				DOCUMENT NUMBER SD-33482-0001
	DRAFT WHERE APPLICABLE MUST REMAIN WITHIN DIMENSIONS	THIRD ANGLE PROJECTION	DRAWING A1-SIZE	SERIES 33482	MATERIAL NUMBER GENERAL MARKET	SHEET NUMBER 6 OF 11
	PRODUCT SALES DRAWING					

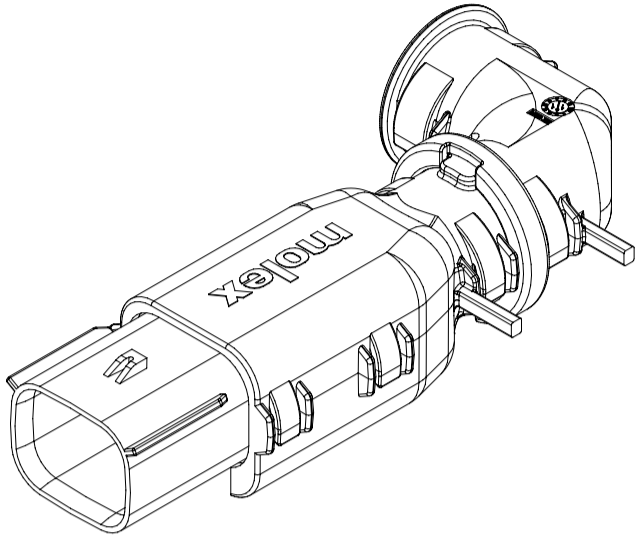
SHEET DESCRIPTION
BACKSHELL NOTES

BACKSHELL NOTES: VALID UNLESS OTHERWISE SPECIFIED

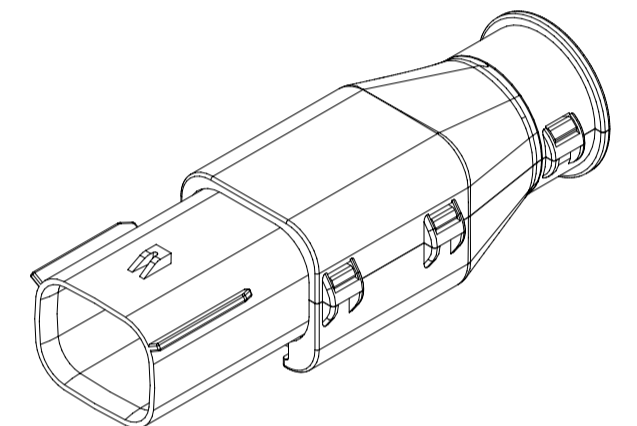
1. GENERAL:
a. APPLICATION SPECIFICATION SEE: AS-34951-001
-DESIGNED TO MATE WITH BLADE SEALED ASSEMBLY SPECIFIED IN MOLEX DRAWING SD-33482-0001.
-SYSTEM TO BE USED WITH WIRE WITHIN DIAMETER RANGE OF 1.2mm TO 2.69mm.
-COMPONENTS ARE OPTIONAL AND MUST BE PURCHASED SEPERATELY.
-DESIGN IS OWNED BY SCHLEMMER FOR SCHLEMMER BACKSHELL.
-DESIGN IS OWNED BY MOLEX FOR MOLEX BACKSHELL.
-90° ADAPTOR DESIGN IS OWNED BY MOLEX.
-FOR ADDITIONAL INFORMATION SEE THE BACKSHELL COMPONENT DRAWING SD-34950-0001.



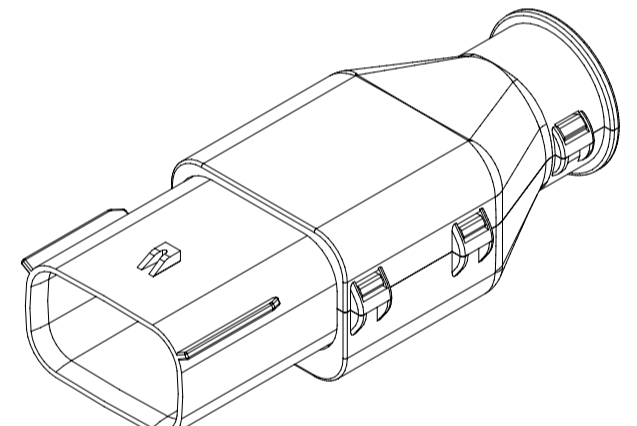
2X3



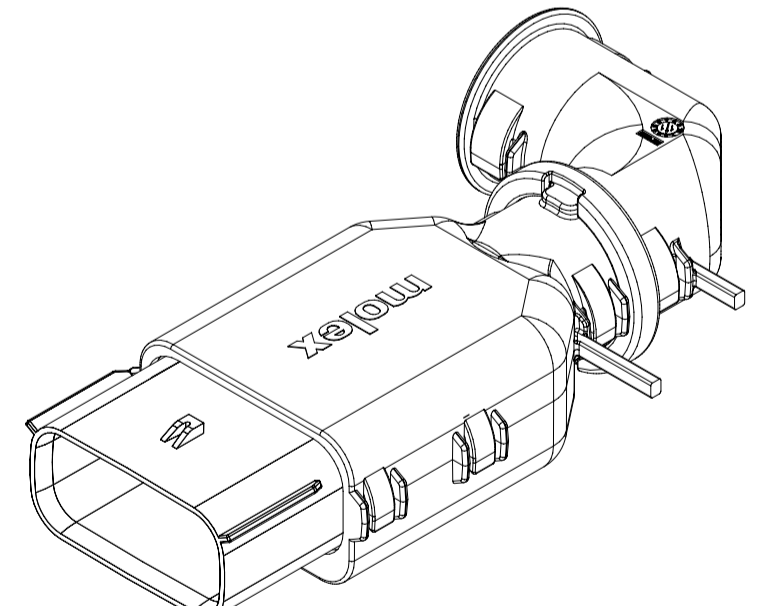
2X4



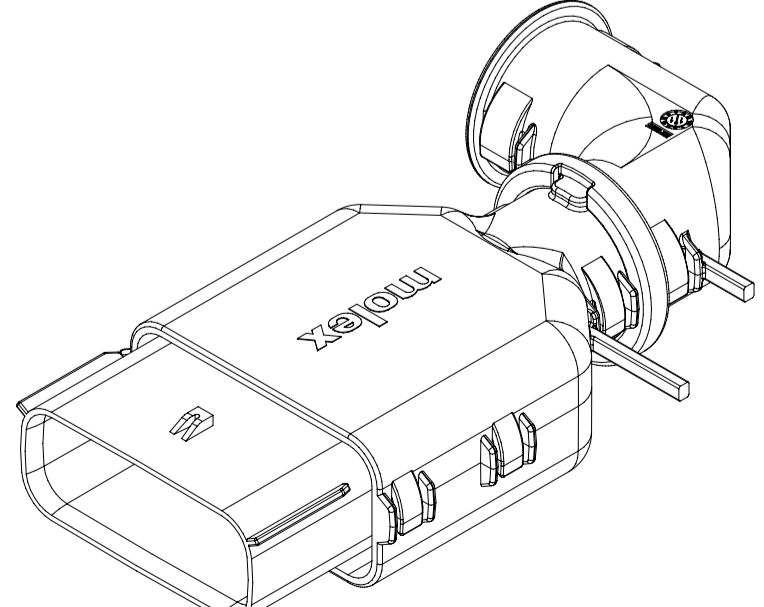
2X4



2X6



2X8



2X10

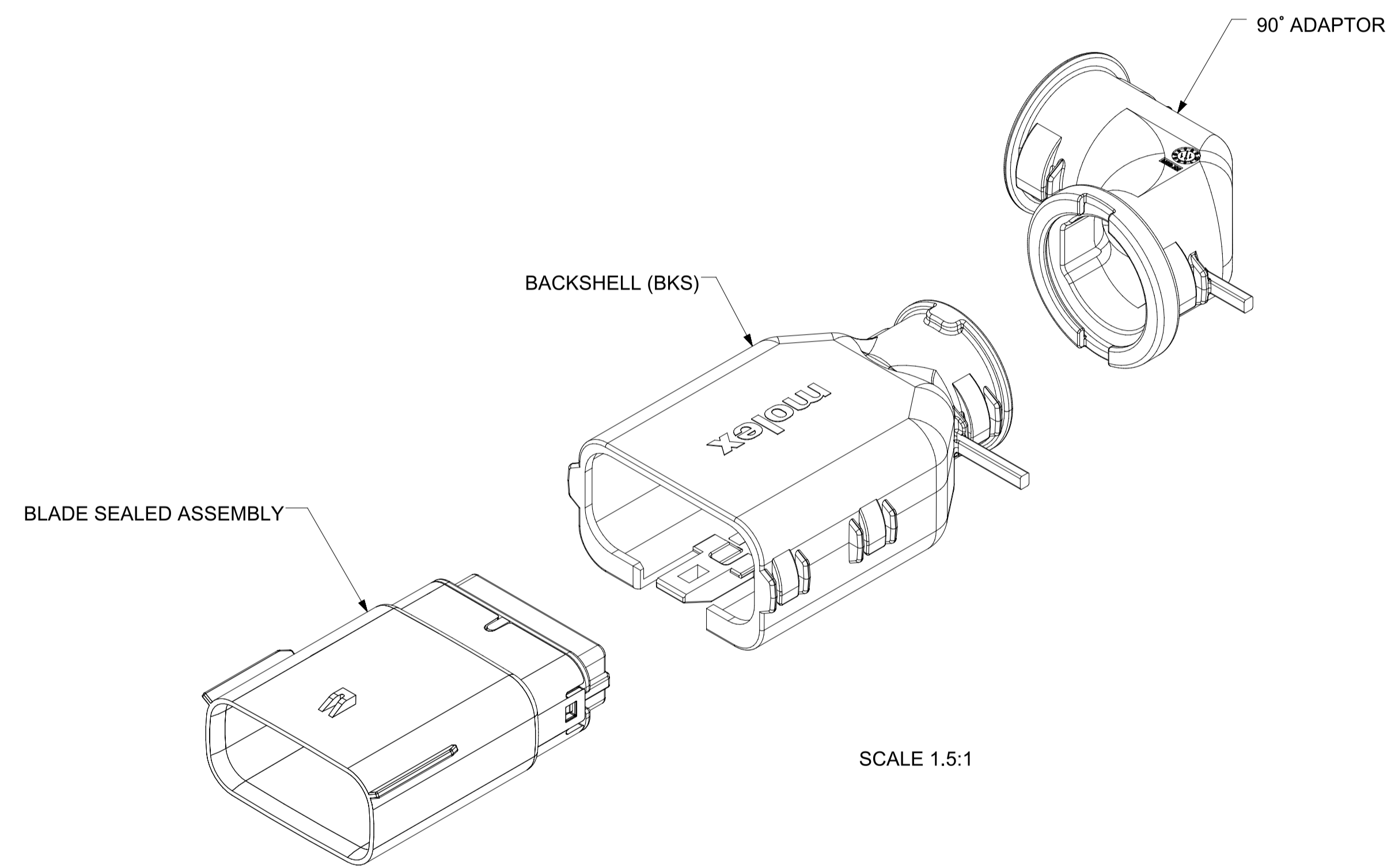
BACKSHELL CUSTOMER MODEL NUMBER LEGEND

34950-XXXX

- CUSTOMER MODEL COMPONENTS
0 - SCHLEMMER BACKSHELL ONLY
1 - SCHLEMMER BACKSHELL & MX150 HOUSING KEY A ASSEMBLY
2 - SCHLEMMER BACKSHELL & MX150 HOUSING KEY B ASSEMBLY
3 - SCHLEMMER BACKSHELL & MX150 HOUSING KEY C ASSEMBLY
4 - SCHLEMMER BACKSHELL & MX150 HOUSING KEY D ASSEMBLY
5 - MOLEX BACKSHELL ONLY
6 - MOLEX BACKSHELL & MX150 HOUSING KEY A ASSEMBLY
7 - MOLEX BACKSHELL & MX150 HOUSING KEY B ASSEMBLY
8 - MOLEX BACKSHELL & MX150 HOUSING KEY C ASSEMBLY
9 - MOLEX BACKSHELL & MX150 HOUSING KEY D ASSEMBLY

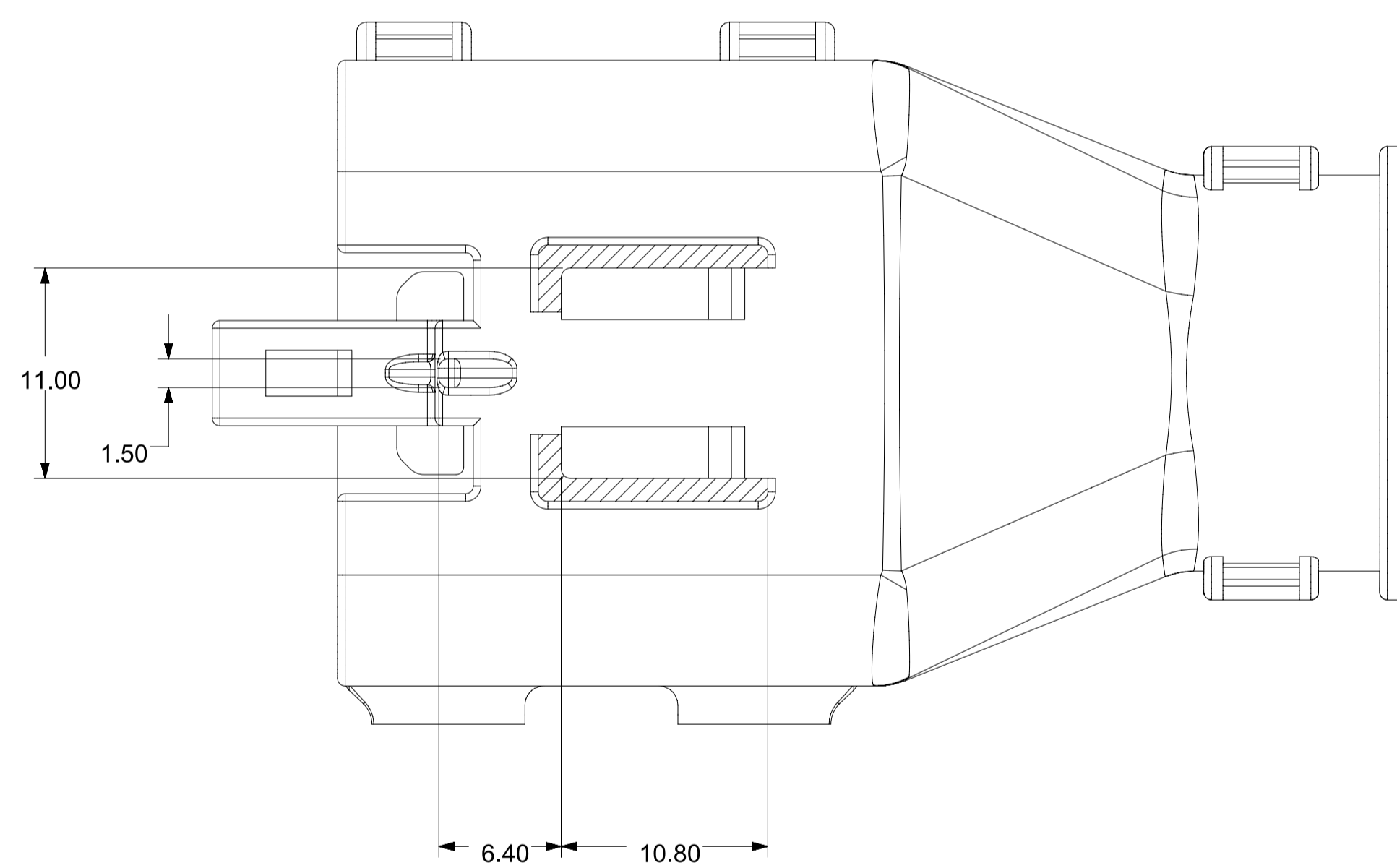
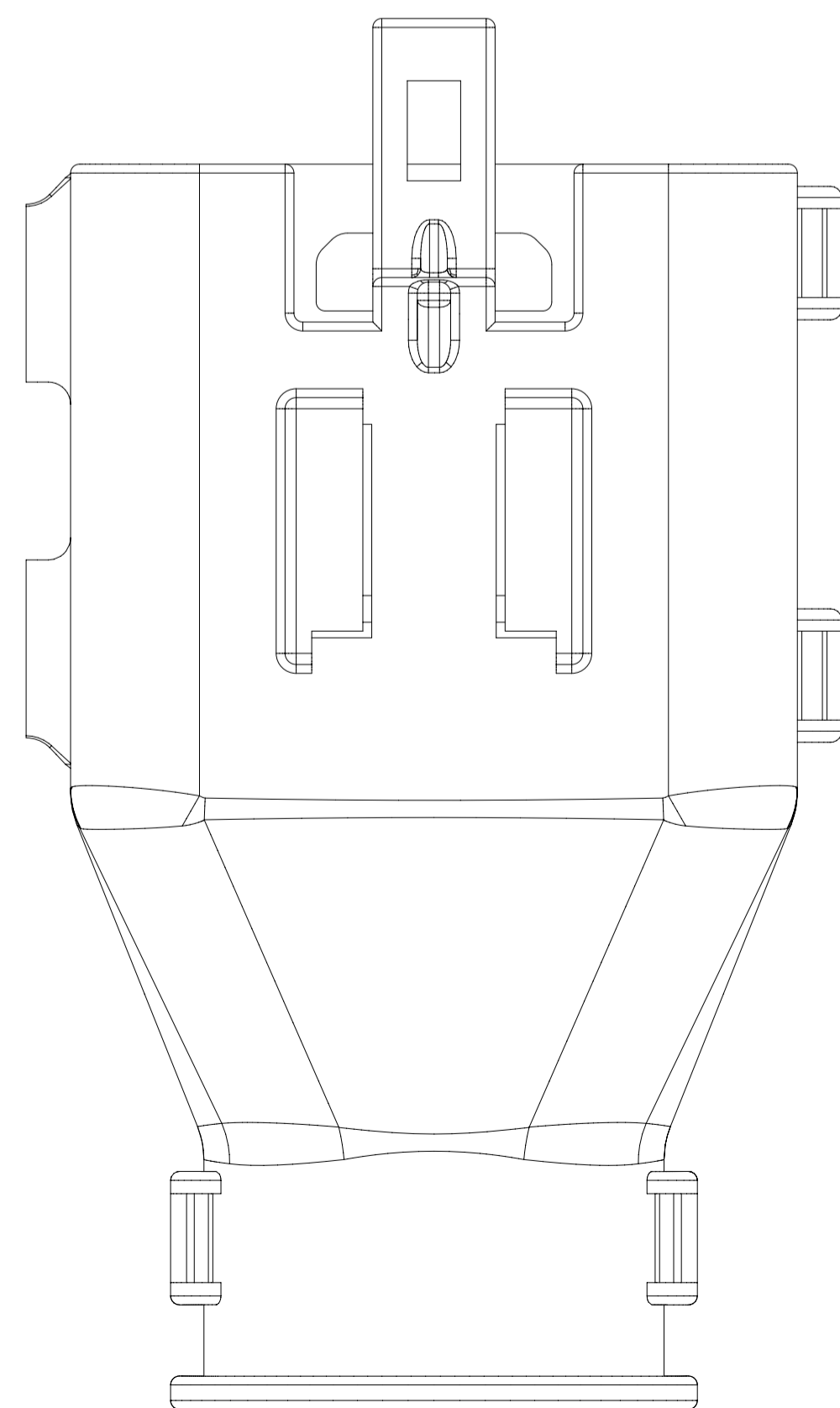
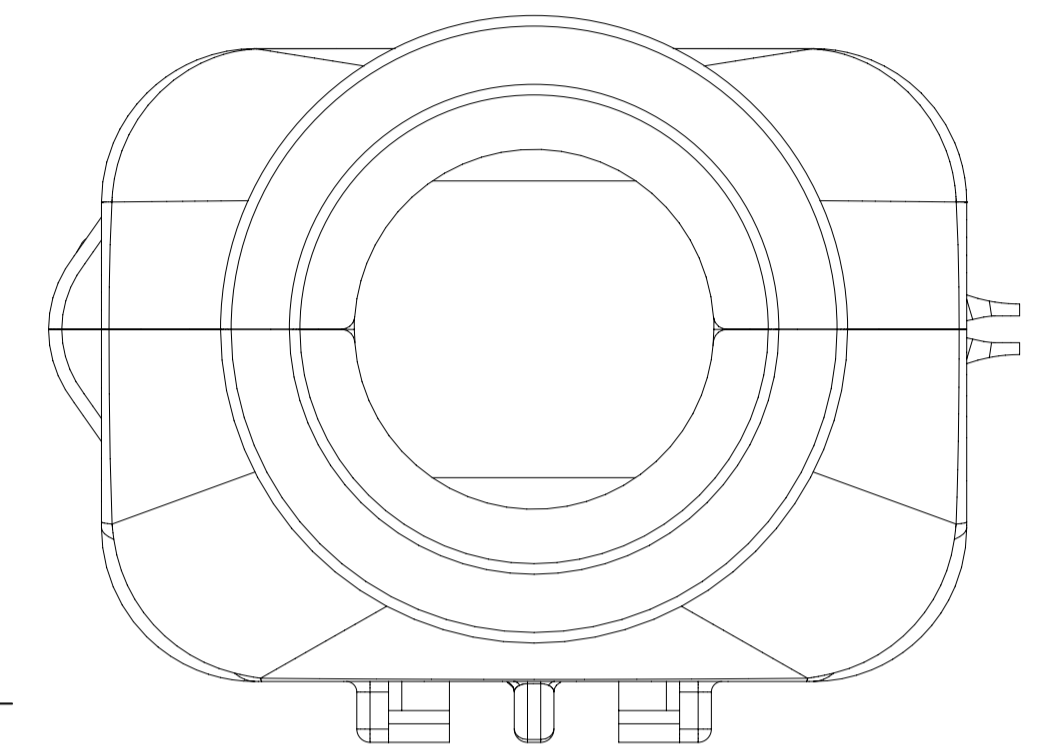
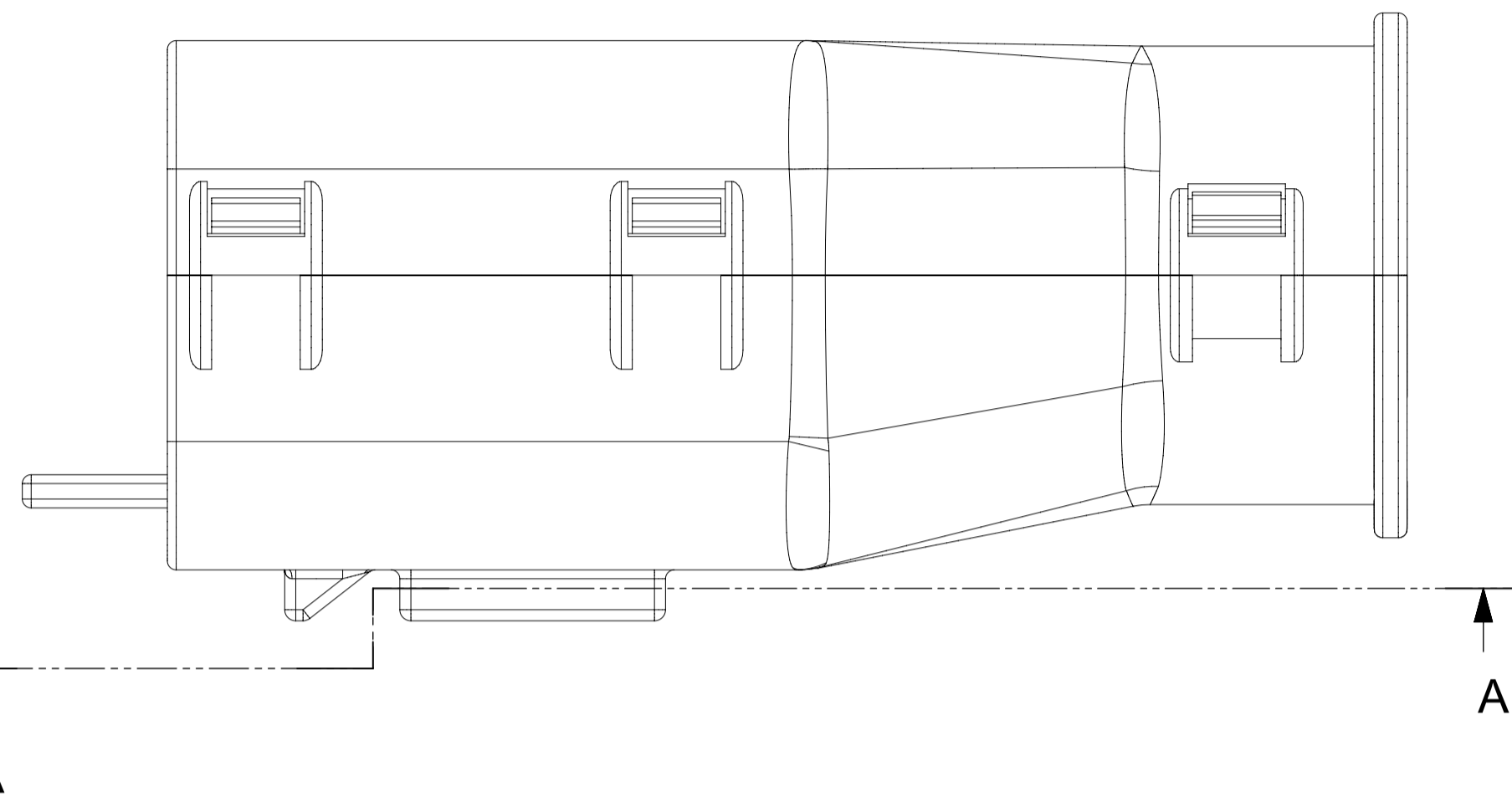
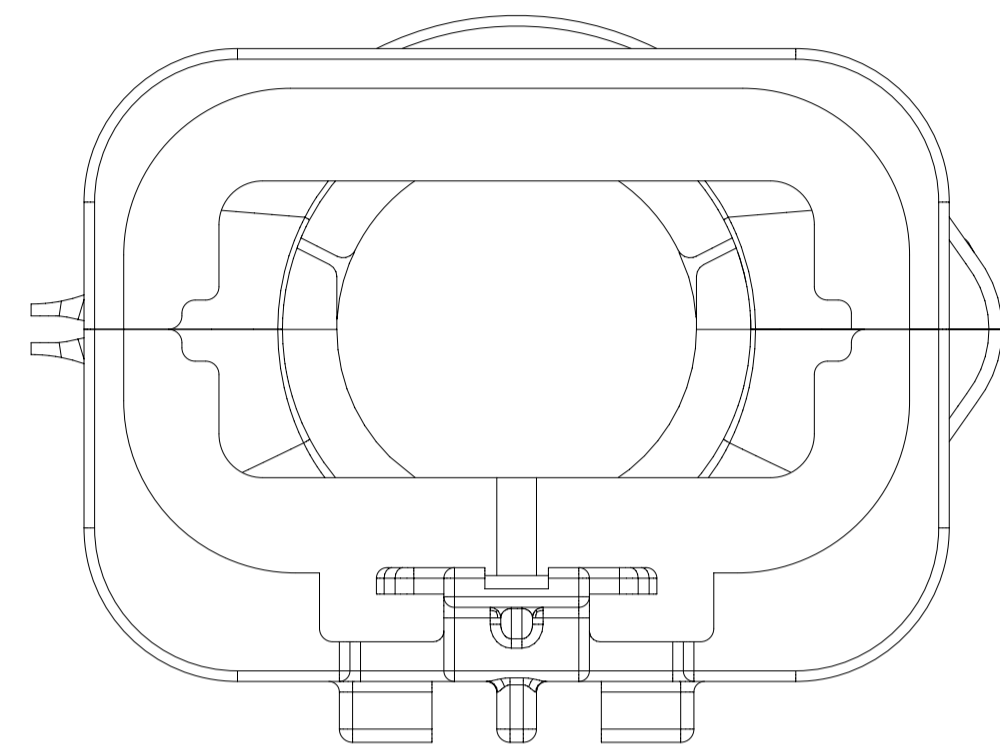
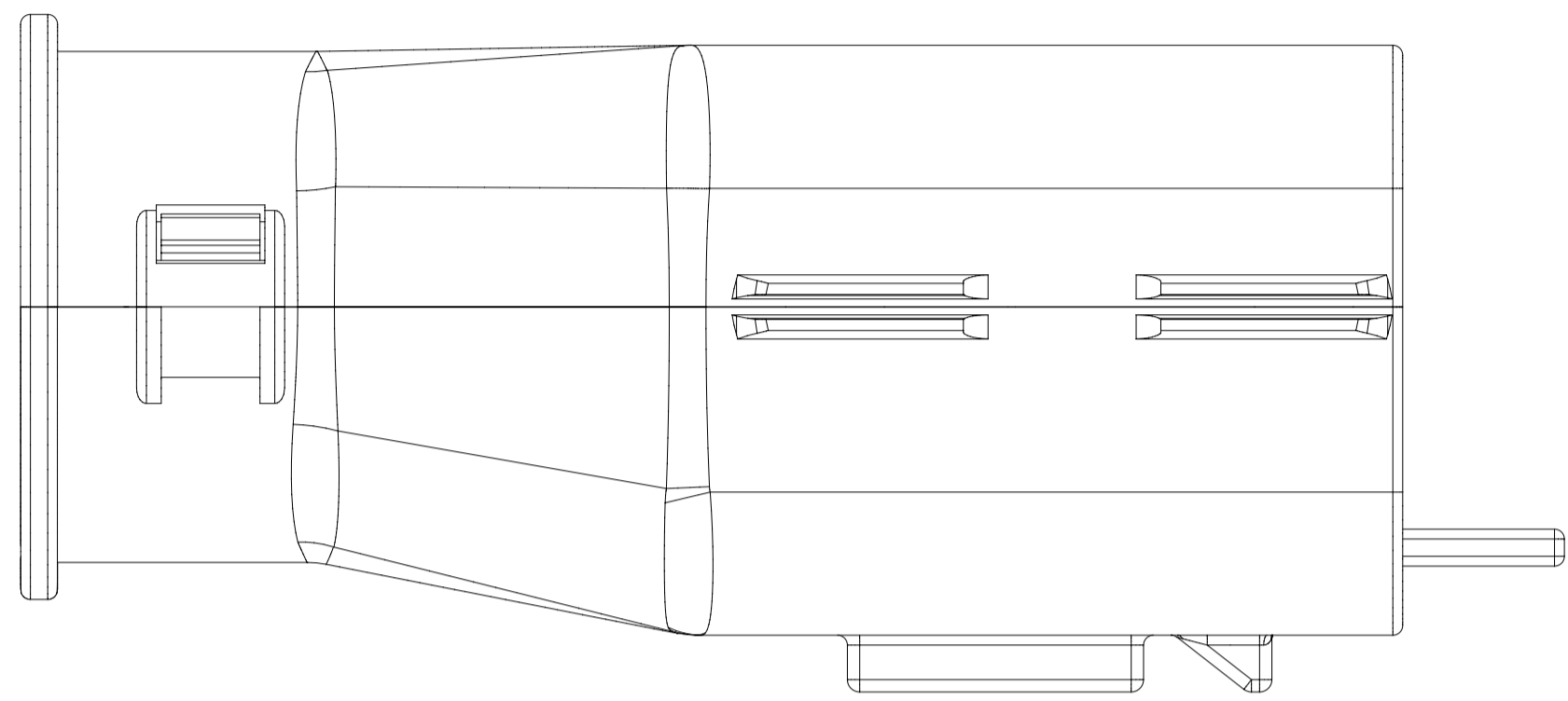
- BACKSHELL FEATURES
1 - WITH RIBS
2 - WITHOUT RIBS
3 - 90° ADAPTOR

MX150 CIRCUIT SIZE 04, 06, 08, 12, 16, 20



FUNCTIONAL SYMBOLS	THIS DRAWING CONTAINS INFORMATION THAT IS PROPRIETARY TO MOLEX ELECTRONIC TECHNOLOGIES, LLC AND SHOULD NOT BE USED WITHOUT WRITTEN PERMISSION		CURRENT REV DESC:					
	DIMENSION UNITS	SCALE						
$\frac{E}{A} = 0$	mm	1.5:1	CHK'D: Yu Chao Fu	2023-09-26	SD-33482-0001	PSD	001	E3
$\frac{E}{C} = 0$	GENERAL TOLERANCES (UNLESS SPECIFIED)		APPR: Elvis Song	2023-09-27	PRODUCT SALES DRAWING			
$\frac{E}{P} = 0$	ANGULAR TOL ± 1°		STATUS: Production		MATERIAL NUMBER			
DIVISIONAL SYMBOLS	4 PLACES	±	THIRD ANGLE PROJECTION		CUSTOMER		SHEET NUMBER	
	3 PLACES	±	DRAFT WHERE APPLICABLE MUST REMAIN WITHIN DIMENSIONS		GENERAL MARKET		7 OF 11	
	2 PLACES	± 0.100	DRAWING		SERIES		A1-SIZE 33482	
	1 PLACE	± 0.20	THIRD ANGLE PROJECTION		SERIES		A1-SIZE 33482	
	0 PLACES	±						

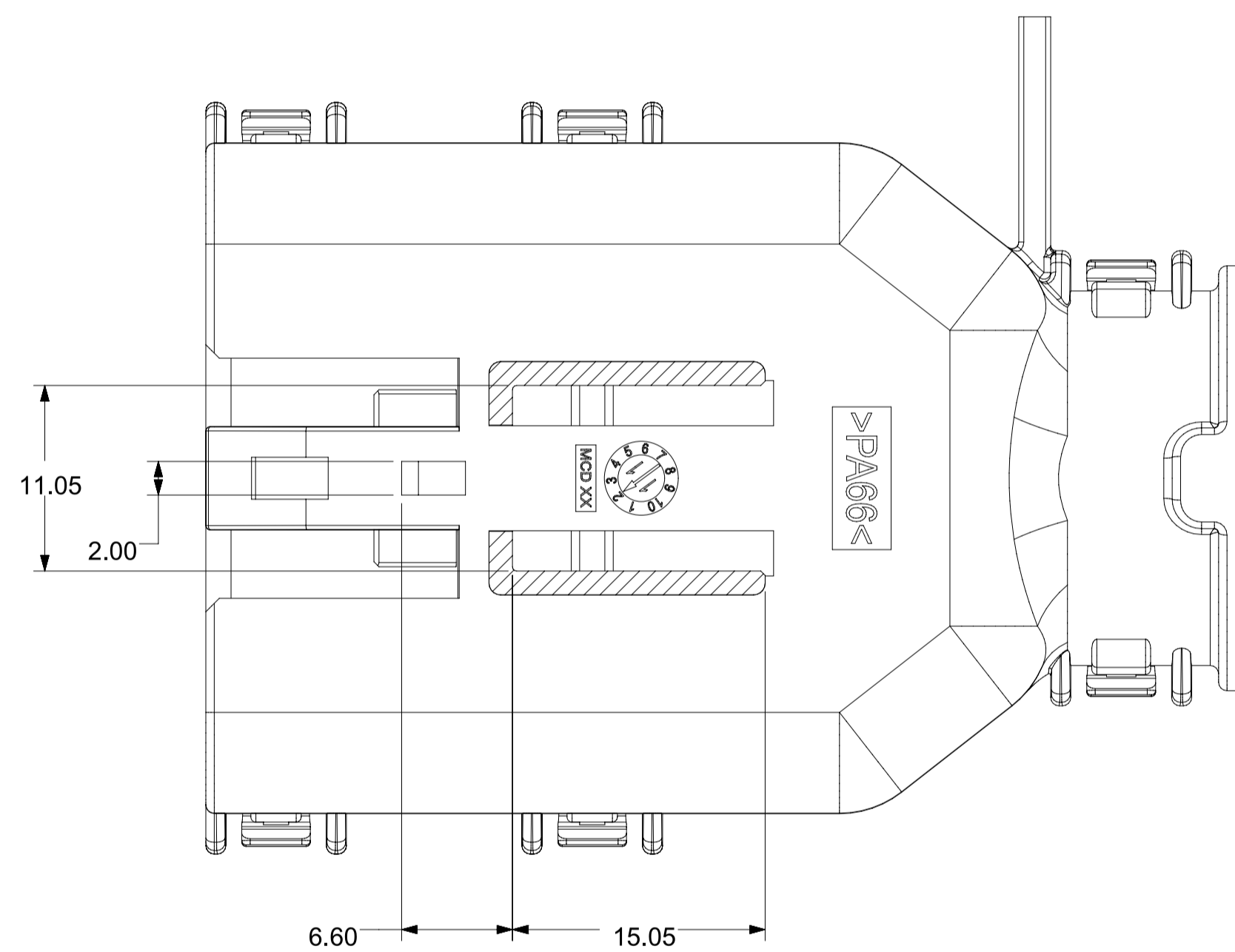
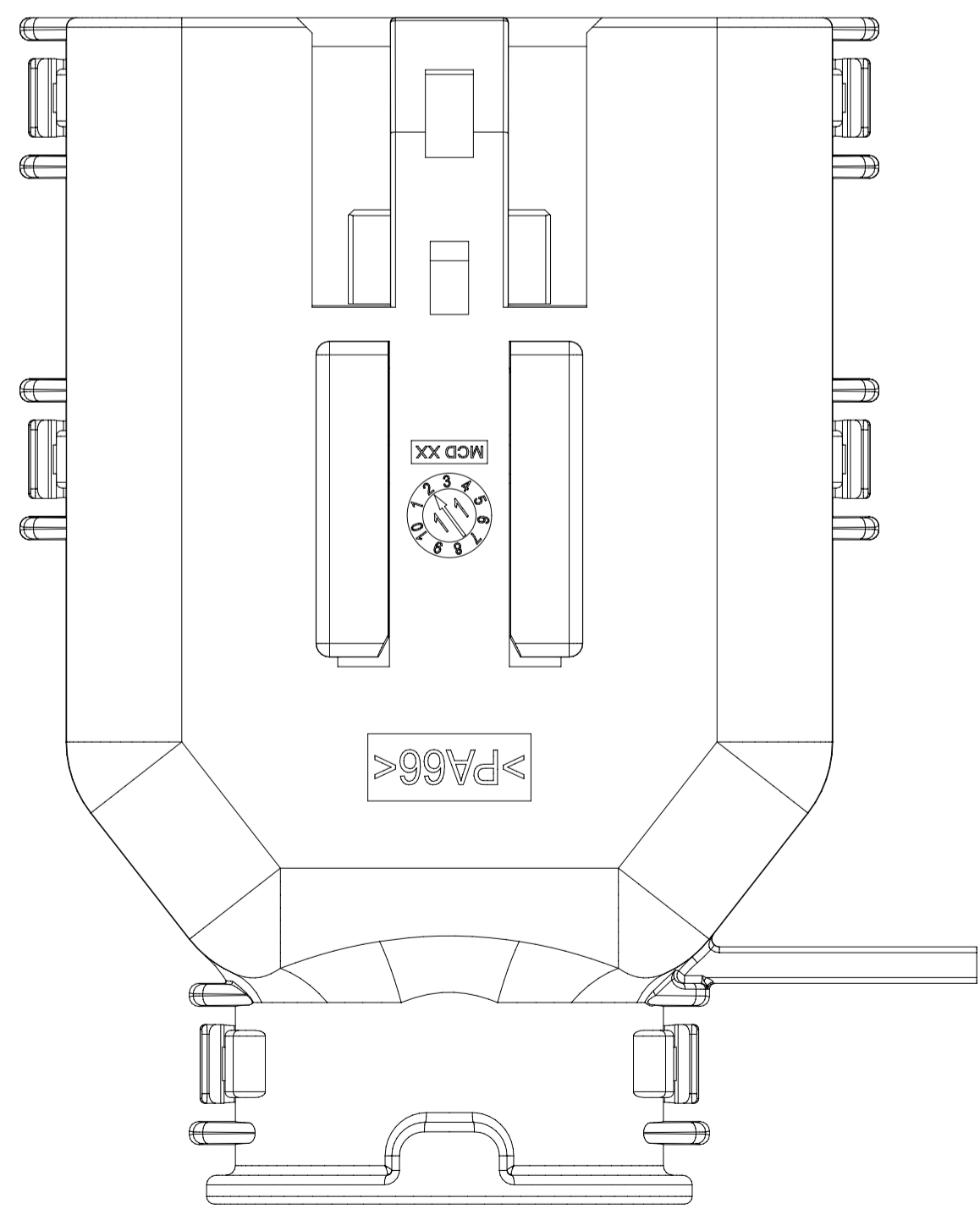
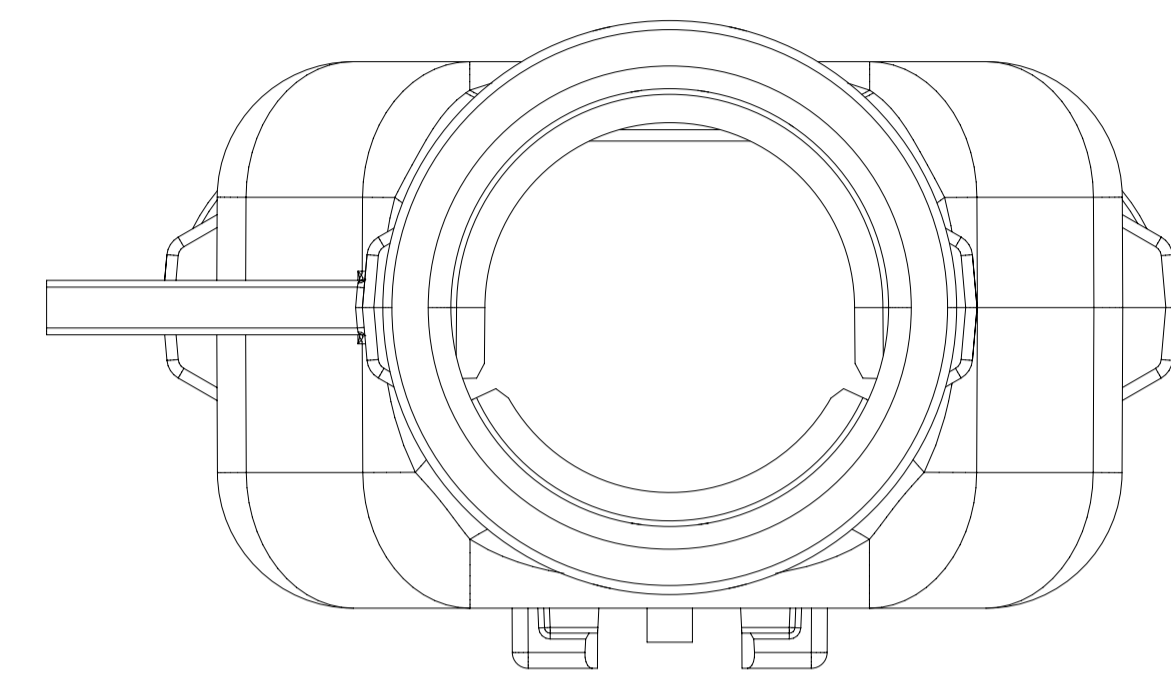
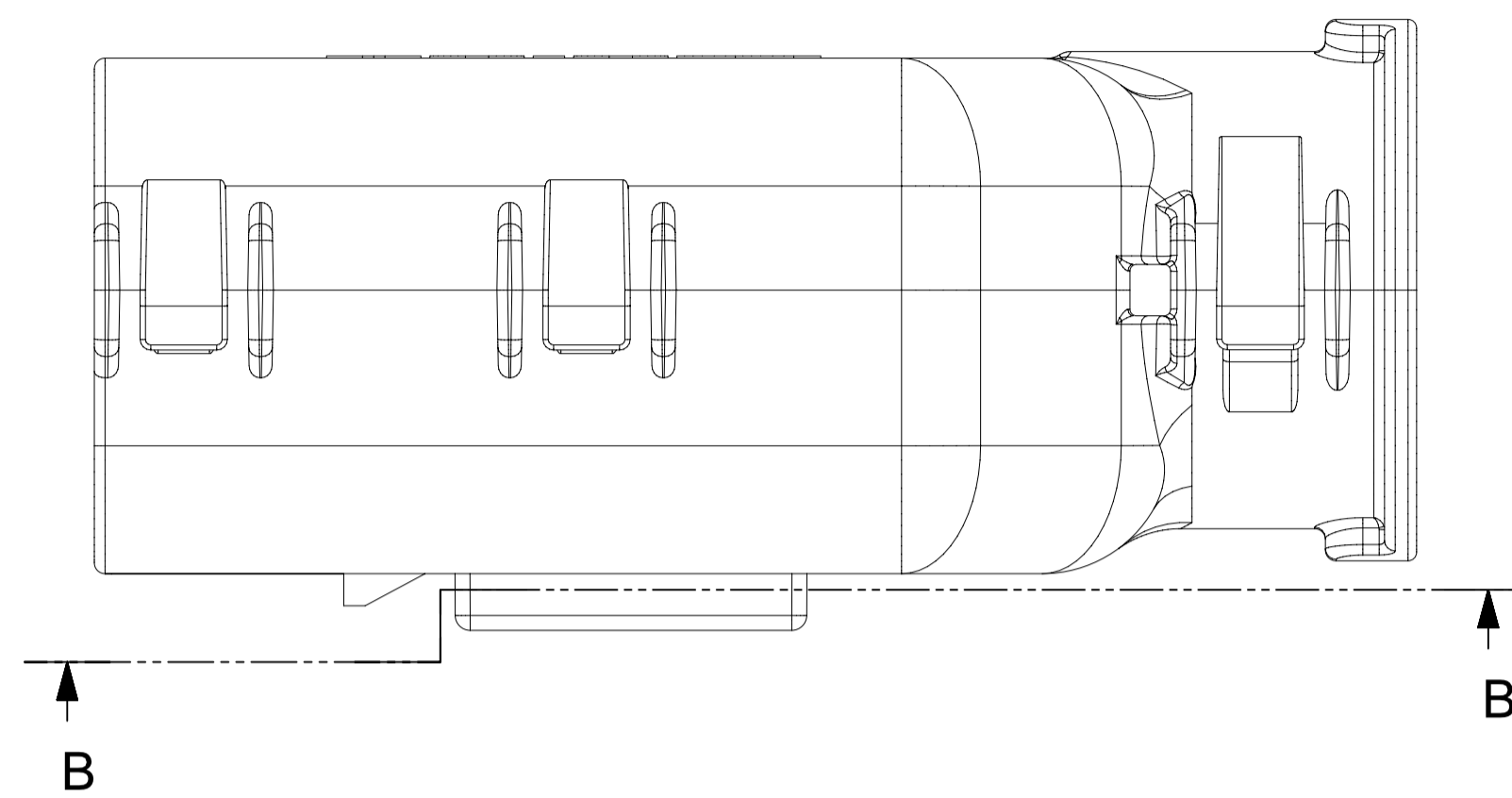
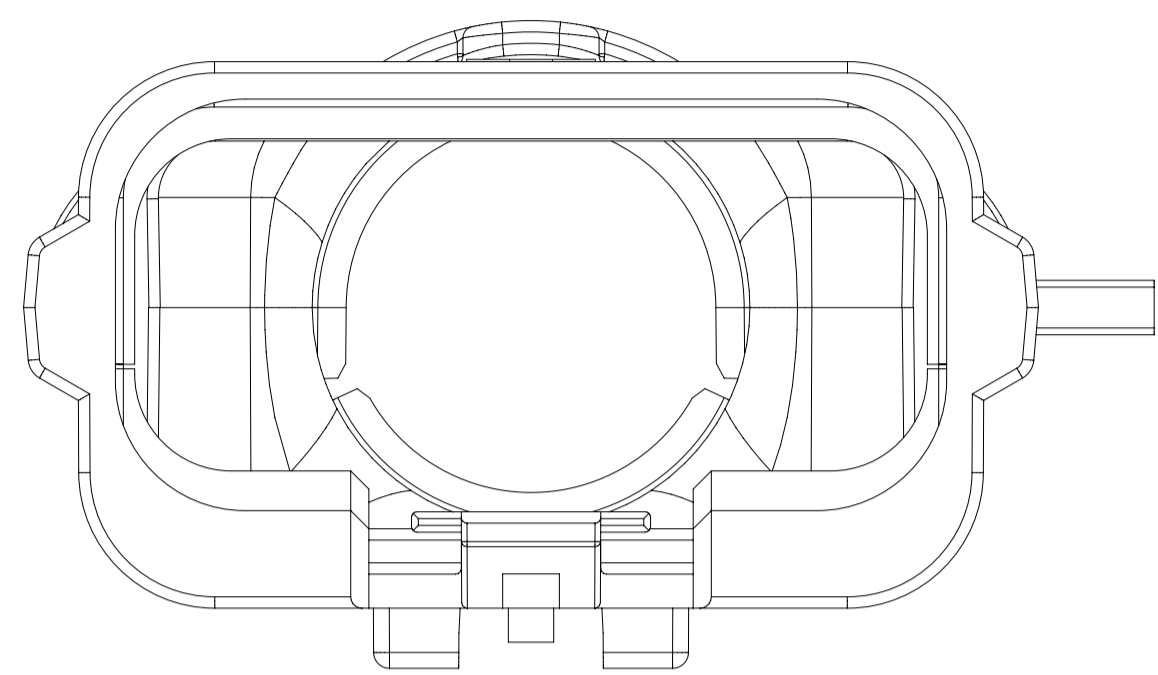
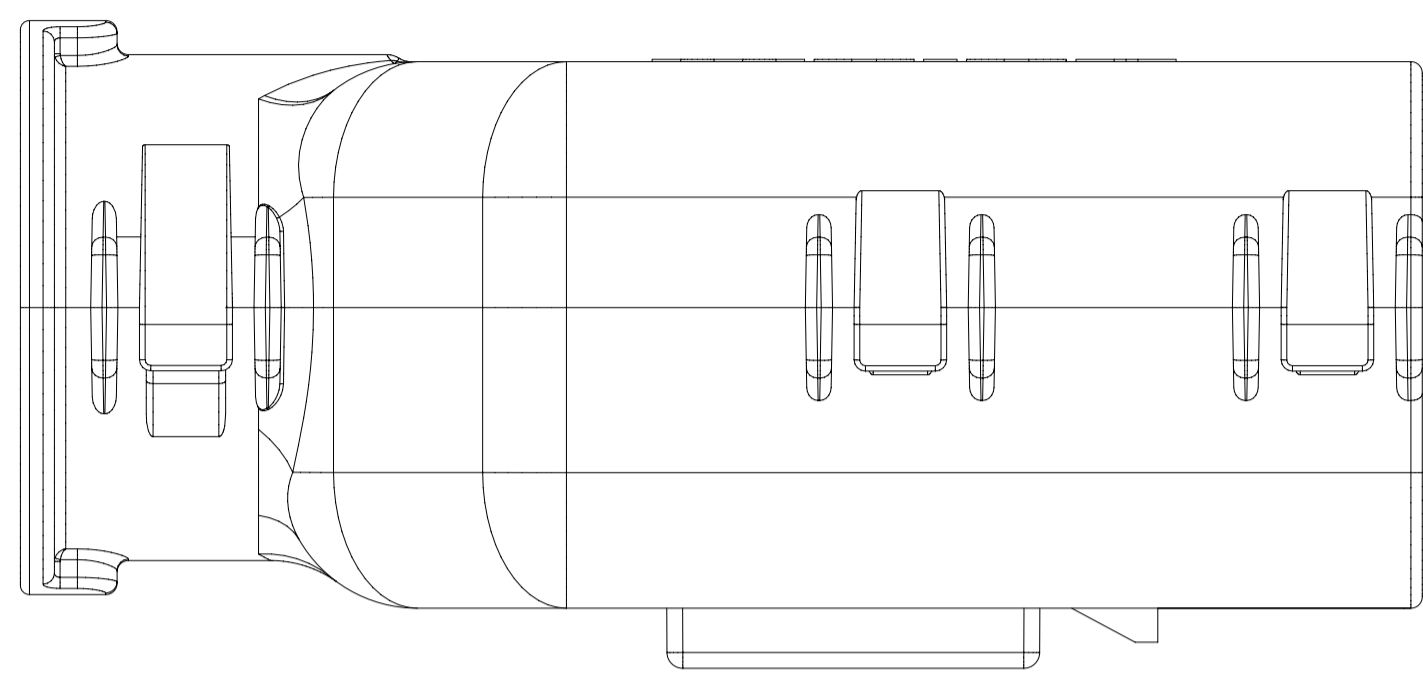
SHEET DESCRIPTION
SCHLEMMER BACKSHELL



SECTION A-A

FUNCTIONAL SYMBOLS $\frac{F}{A} = 0$ $\frac{F}{C} = 0$ $\frac{F}{P} = 0$ DIVISIONAL SYMBOLS	THIS DRAWING CONTAINS INFORMATION THAT IS PROPRIETARY TO MOLEX ELECTRONIC TECHNOLOGIES, LLC AND SHOULD NOT BE USED WITHOUT WRITTEN PERMISSION DIMENSION UNITS: mm SCALE: 3.5:1	CURRENT REV DESC: STATUS: Production DRWN: Yann Chen CHK'D: Yu Chao Fu APPR: Elvis Song			molex MX150 BLADE DUAL ROW SEALED ASSEMBLY			
	GENERAL TOLERANCES (UNLESS SPECIFIED) ANGULAR TOL $\pm 1'$ 4 PLACES \pm 3 PLACES \pm 2 PLACES ± 0.100 1 PLACE ± 0.20 0 PLACES \pm	2023-09-26 2023-09-26 2023-09-27			DOCUMENT NUMBER SD-33482-0001	DOC TYPE PSD	DOC PART 001	REVISION E3
	DRAFT WHERE APPLICABLE MUST REMAIN WITHIN DIMENSIONS	THIRD ANGLE PROJECTION 	DRAWING A1-SIZE	SERIES 33482	MATERIAL NUMBER GENERAL MARKET	CUSTOMER GENERAL MARKET	SHEET NUMBER 8 OF 11	
	PRODUCT SALES DRAWING							

SHEET DESCRIPTION
MOLEX BACKSHELL



SECTION B-B

FUNCTIONAL SYMBOLS $\frac{E}{A} = 0$ $\frac{E}{C} = 0$ $\frac{E}{D} = 0$ DIVISIONAL SYMBOLS	THIS DRAWING CONTAINS INFORMATION THAT IS PROPRIETARY TO MOLEX ELECTRONIC TECHNOLOGIES, LLC AND SHOULD NOT BE USED WITHOUT WRITTEN PERMISSION		CURRENT REV DESC: STATUS: Production DRWN: Yann Chen CHK'D: Yu Chao Fu APPR: Elvis Song			2023-09-26 2023-09-26 2023-09-27			DOCUMENT NUMBER SD-33482-0001			DOC TYPE DOC PART REVISION PSD 001 E3		
	DIMENSION UNITS mm	SCALE 3:1												
	4 PLACES \pm 3 PLACES \pm 2 PLACES \pm 0.100 1 PLACE \pm 0.20 0 PLACES \pm		DRAFT WHERE APPLICABLE MUST REMAIN WITHIN DIMENSIONS			THIRD ANGLE PROJECTION 			DRAWING A1-SIZE			SERIES 33482		
			MATERIAL NUMBER CUSTOMER GENERAL MARKET			SHEET NUMBER 9 OF 11								

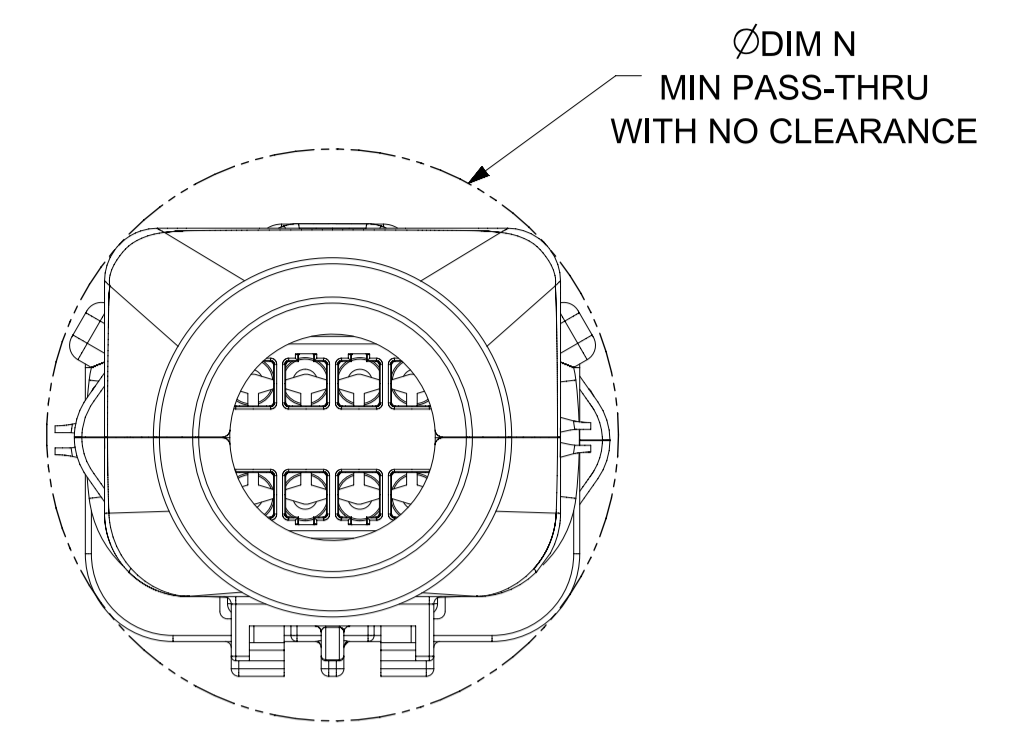
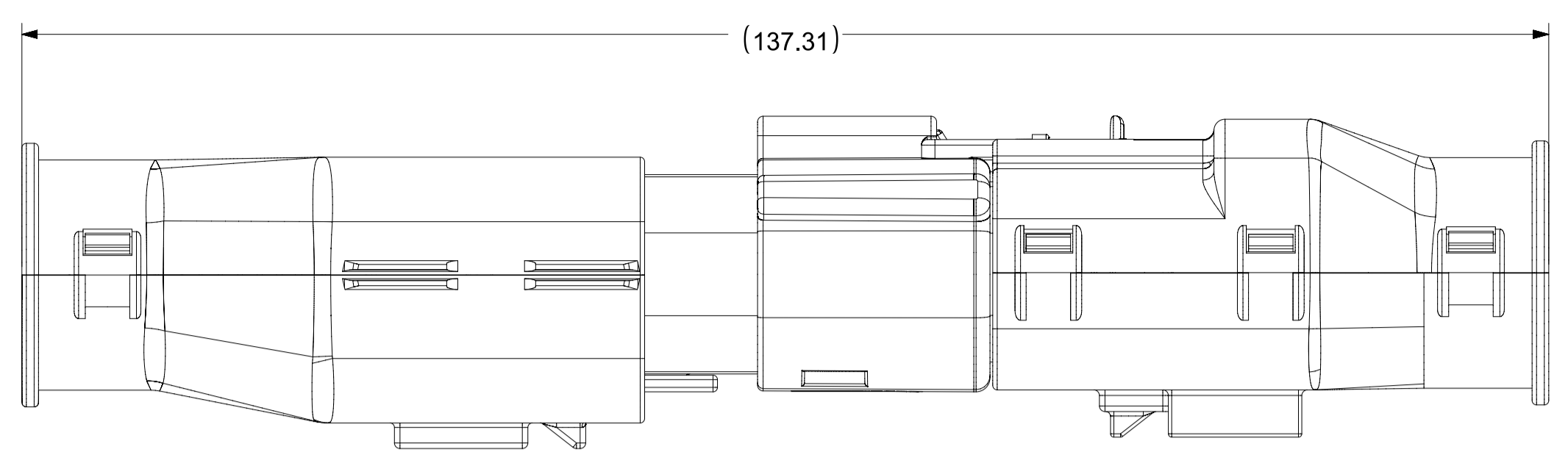
molex

MX150 BLADE
DUAL ROW SEALED ASSEMBLY

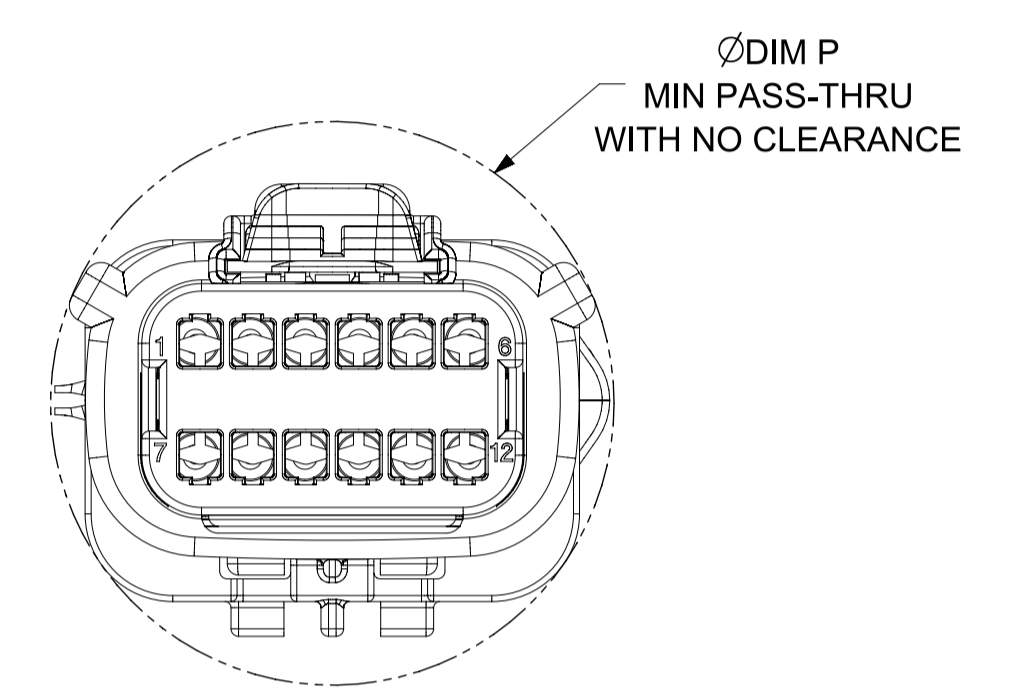
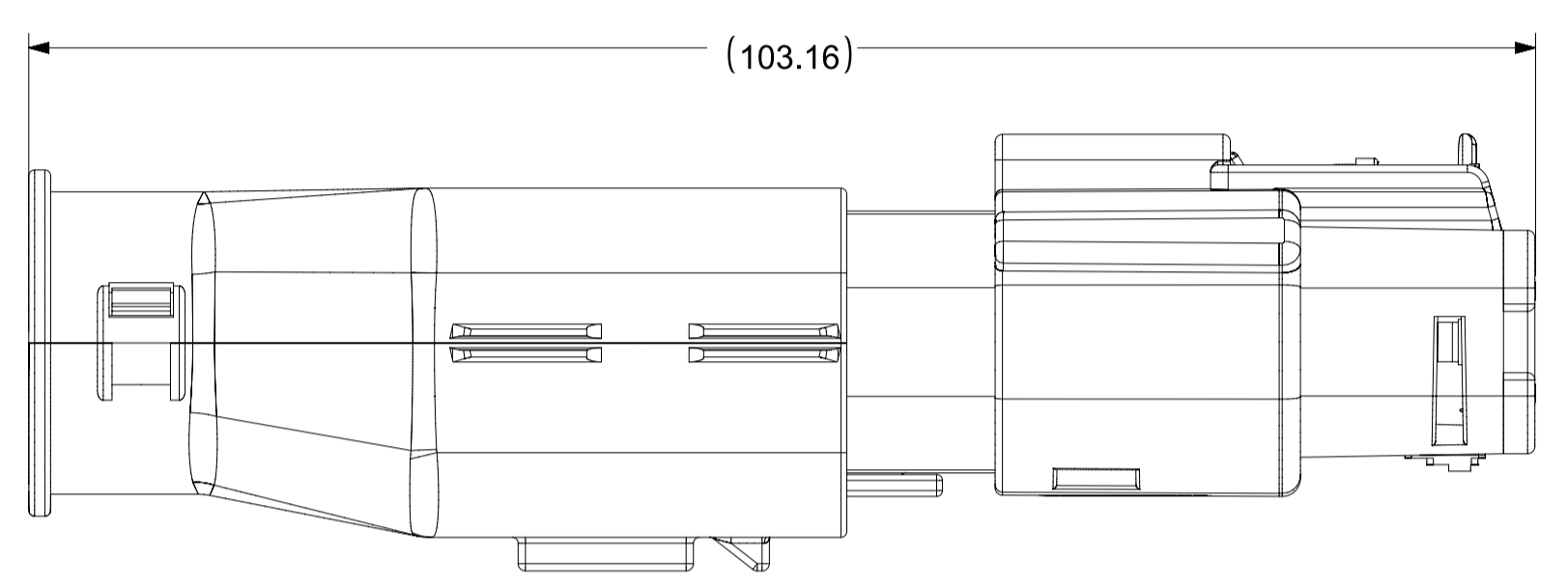
PRODUCT SALES DRAWING

SHEET DESCRIPTION
SCHLEMMER BACKSHELL CONFIGURATIONS

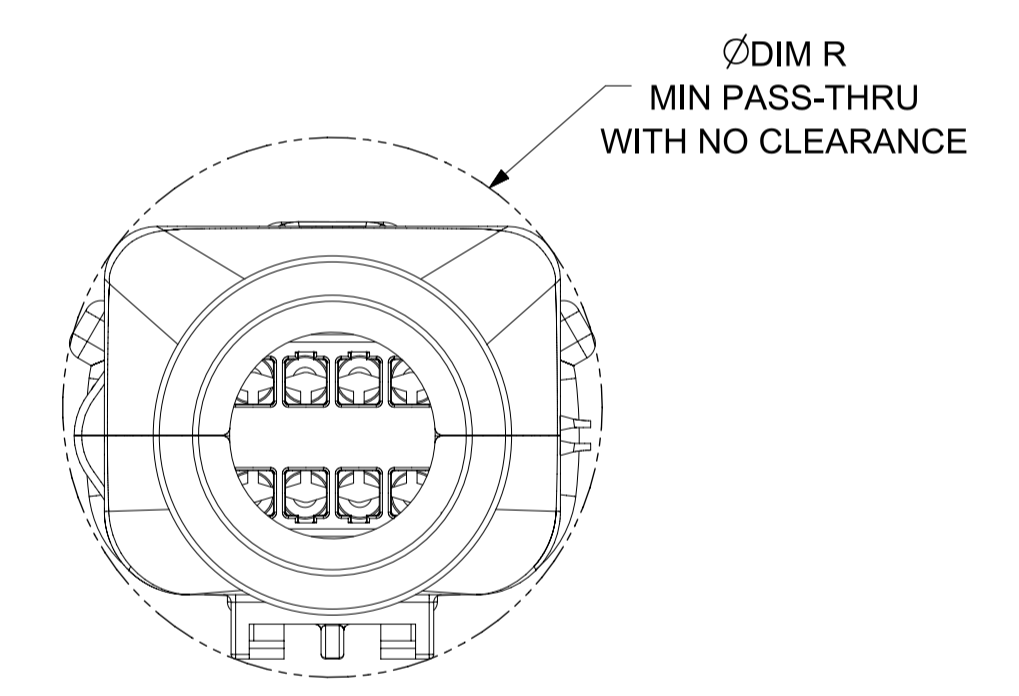
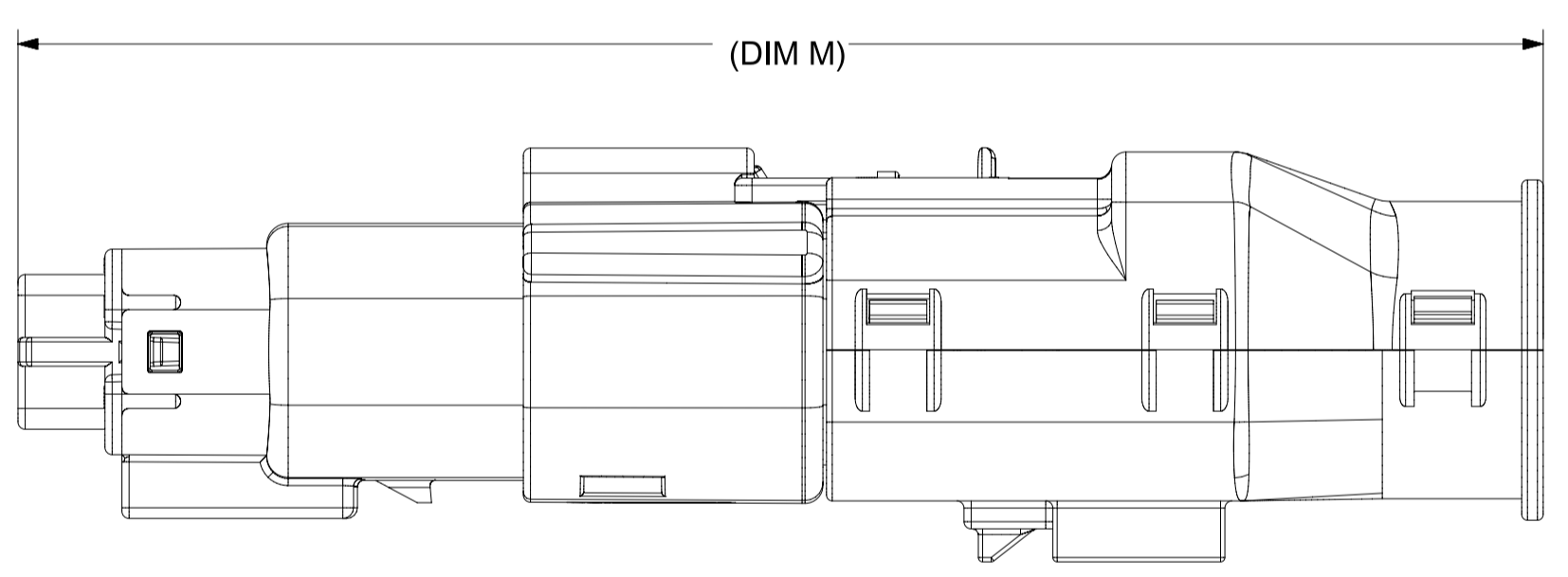
CKT	BLADE CONFIGURATION	RECEPTACLE CONFIGURATION	DIMENSIONS				
			M	N	P	R	T
2X3	STANDARD	STANDARD	106.83	32.75	31.75	29.00	29.50
	LENGTHENED		108.71				
2X4	STANDARD	STANDARD	106.83	33.50	31.90	30.70	30.70
2X6	STANDARD	STANDARD	106.83	37.84	37.27	35.83	36.83



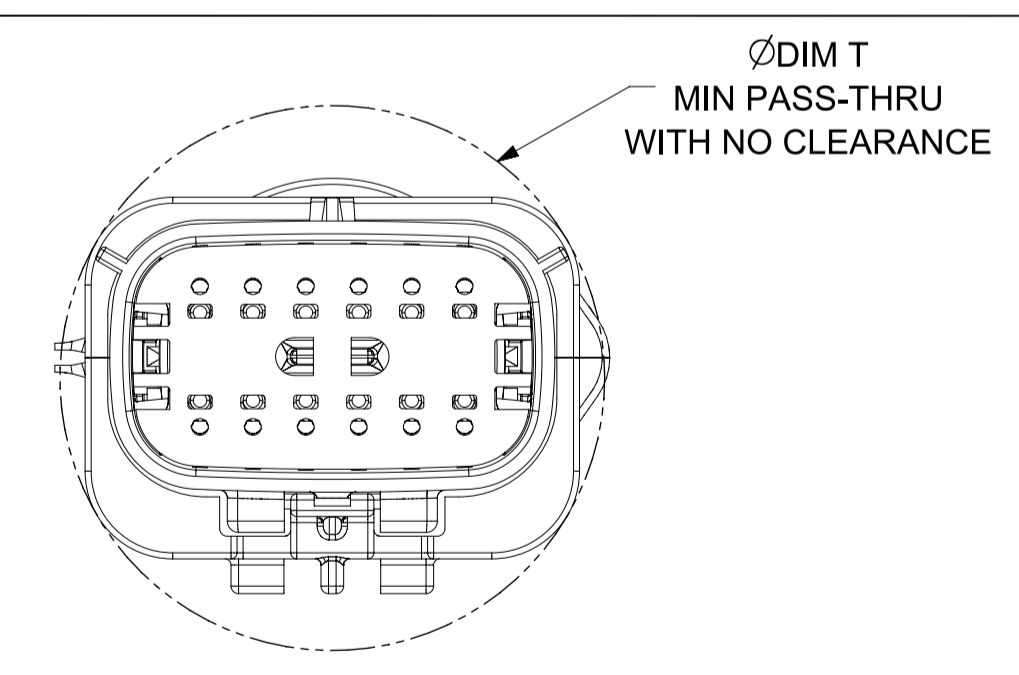
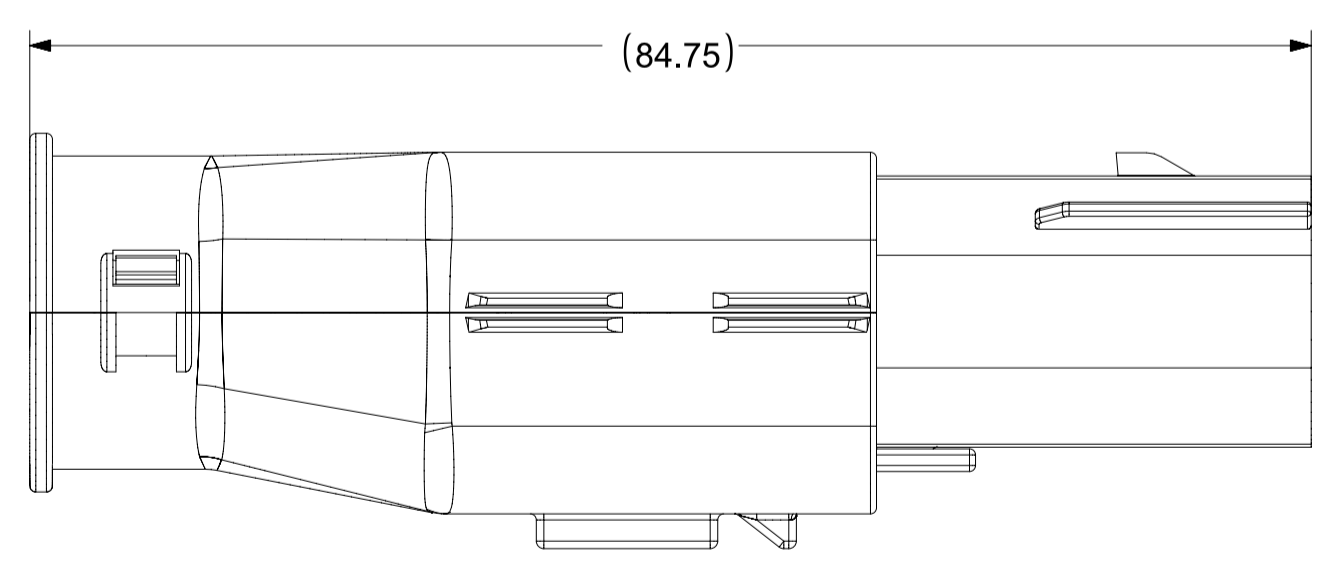
OVERALL MATED SYSTEM WITH BLADE AND RECEPTACLE BACKSHELL



OVERALL MATED SYSTEM WITH BLADE BACKSHELL



OVERALL MATED SYSTEM WITH RECEPTACLE BACKSHELL



BLADE SEALED ASSEMBLY WITH BLADE BACKSHELL

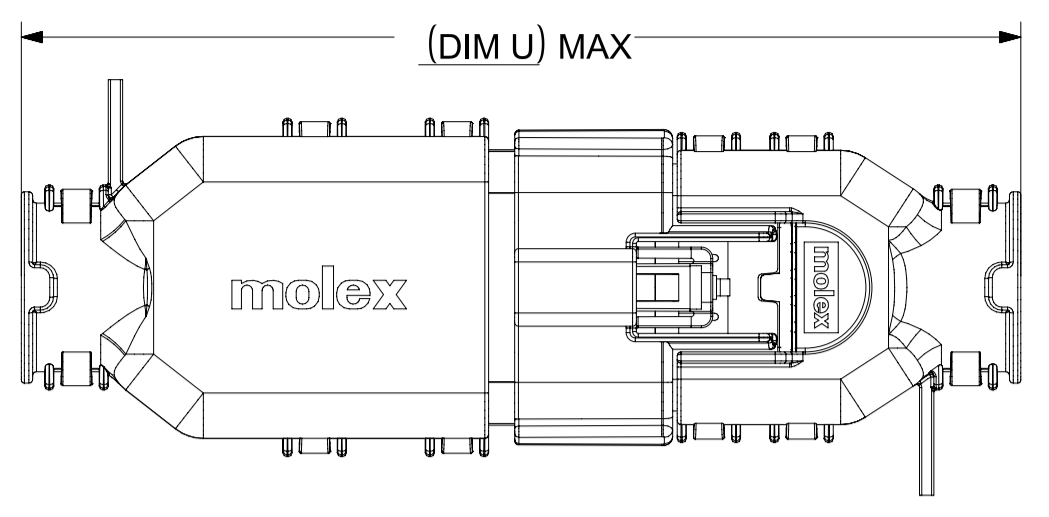
FUNCTIONAL SYMBOLS $\frac{F}{A} = 0$ $\frac{F}{C} = 0$ $\frac{F}{P} = 0$ DIVISIONAL SYMBOLS	THIS DRAWING CONTAINS INFORMATION THAT IS PROPRIETARY TO MOLEX ELECTRONIC TECHNOLOGIES, LLC AND SHOULD NOT BE USED WITHOUT WRITTEN PERMISSION	SCALE: 2:1	CURRENT REV DESC:		
	DIMENSION UNITS: mm	GENERAL TOLERANCES (UNLESS SPECIFIED)	STATUS: Production		
	ANGULAR TOL: ± 1'	4 PLACES ±	DRWN: Yann Chen		
	3 PLACES ±	3 PLACES ±	CHK'D: Yu Chao Fu		
2 PLACES ± 0.100	2 PLACES ± 0.20	APPR: Elvis Song			
1 PLACE ± 0.20	0 PLACES ±	2023-09-26			
DRAFT WHERE APPLICABLE MUST REMAIN WITHIN DIMENSIONS	THIRD ANGLE PROJECTION	DRAWING: A1-SIZE	SERIES: 33482	DOCUMENT NUMBER: SD-33482-0001	DOC TYPE: PSD
				DOC PART: 001	REVISION: E3
				CUSTOMER: GENERAL MARKET	SHEET NUMBER: 10 OF 11

molex

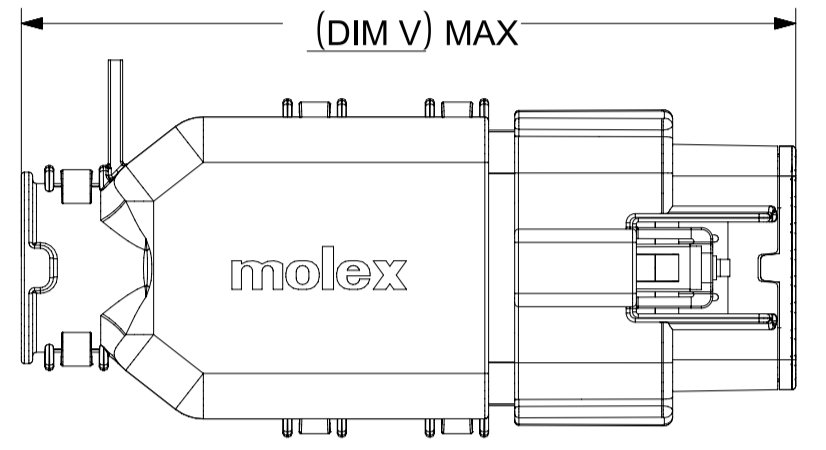
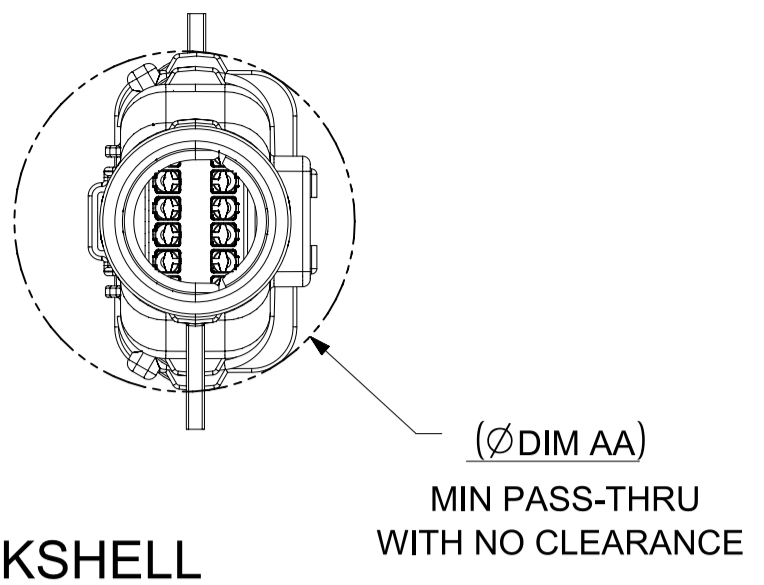
MX150 BLADE
DUAL ROW SEALED ASSEMBLY

PRODUCT SALES DRAWING

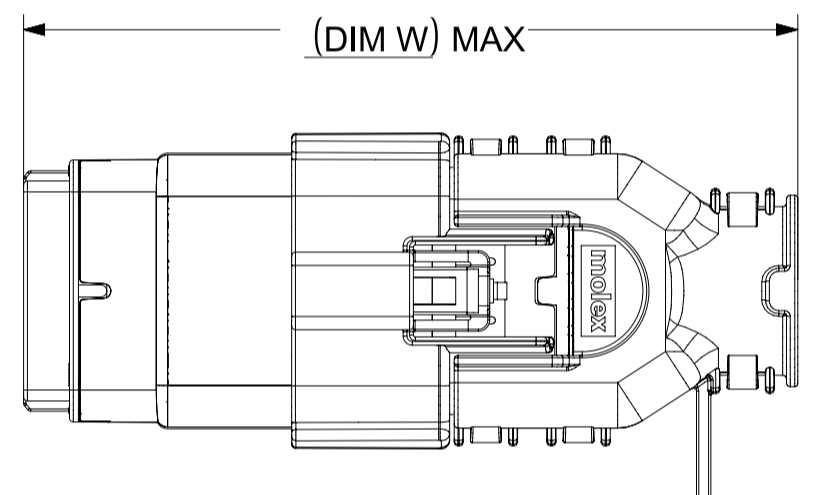
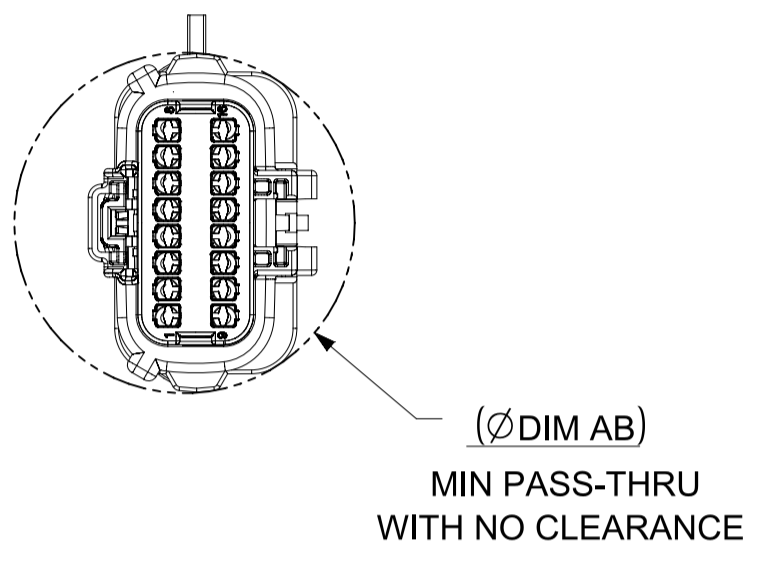
SHEET DESCRIPTION
MOLEX BACKSHELL CONFIGURATIONS



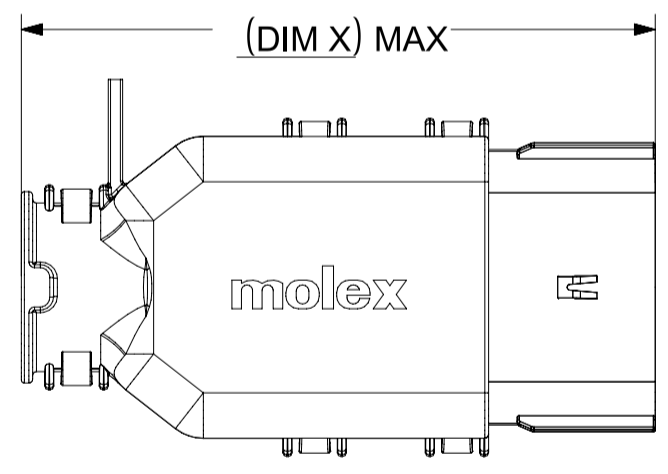
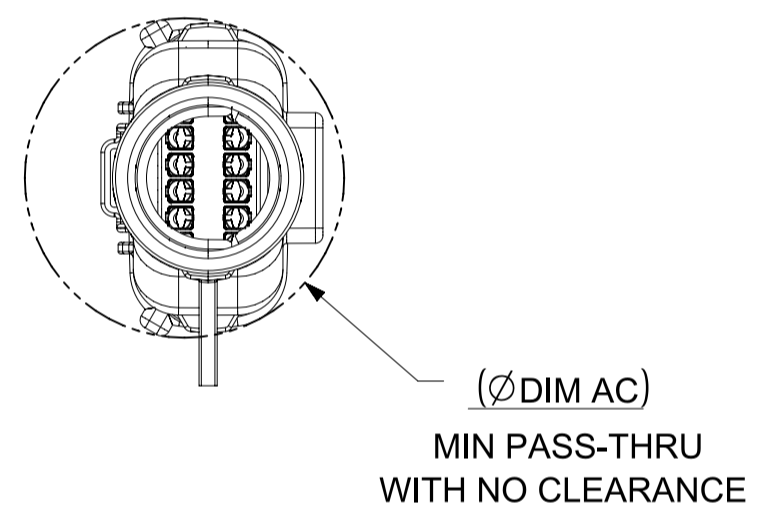
OVERALL MATED SYSTEM WITH BLADE AND RECEPTACLE BACKSHELL



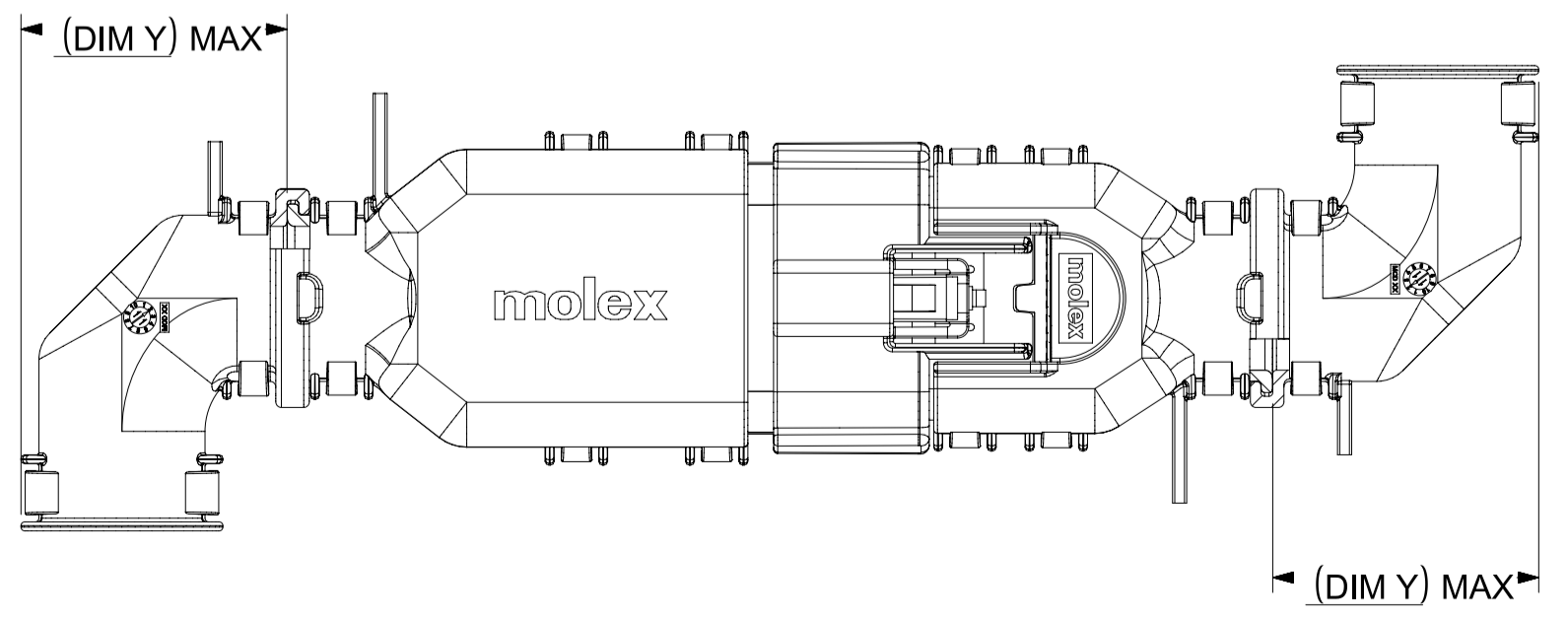
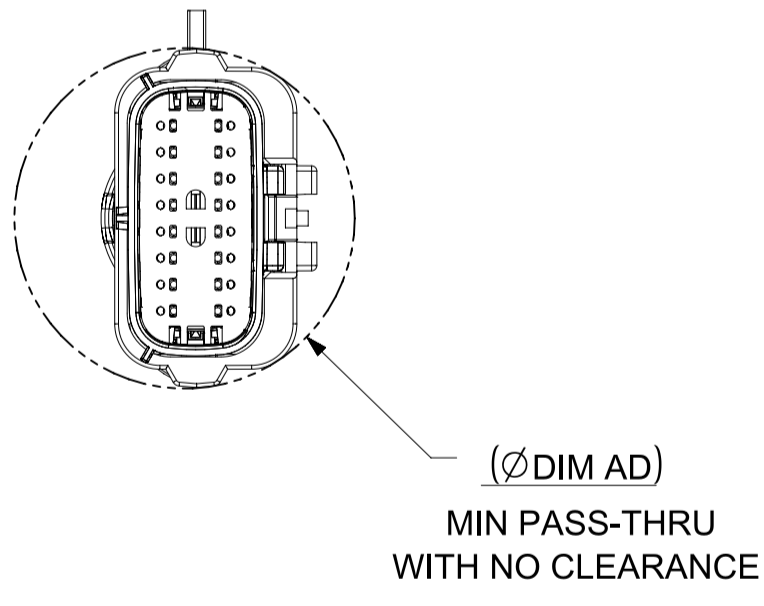
OVERALL MATED SYSTEM WITH BLADE BACKSHELL



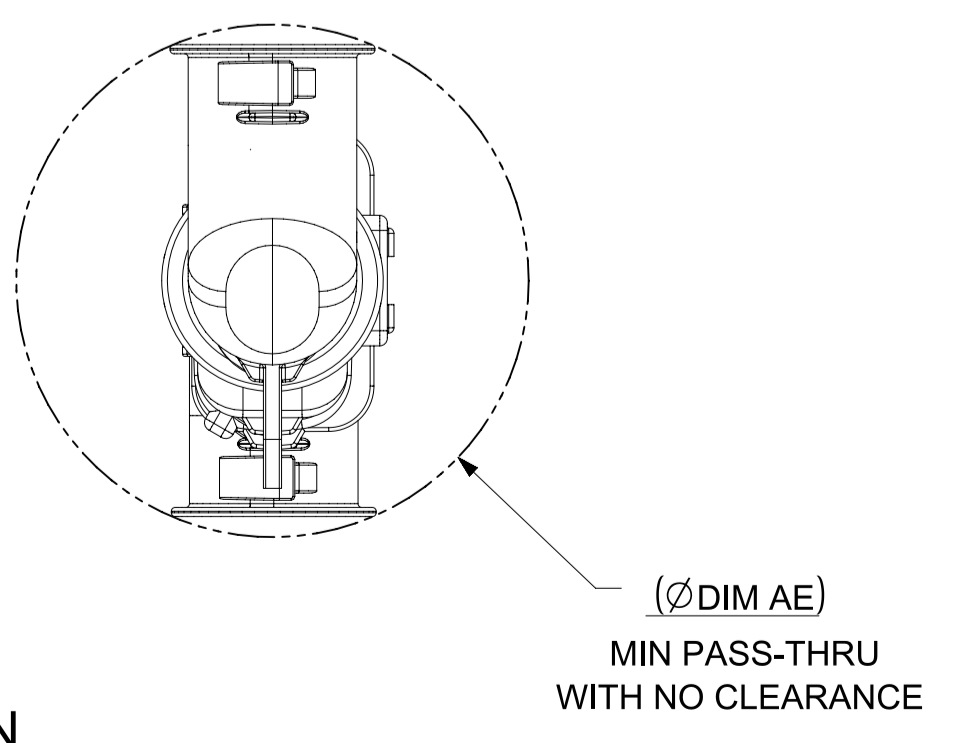
OVERALL MATED SYSTEM WITH RECEPTACLE BACKSHELL



BLADE SEALED ASSEMBLY WITH BLADE BACKSHELL



ADD THE VALUE OF 'Y' TO THE TOTAL DIMENSION WHENEVER ADAPTOR IS USED



CHARTED DIMENSIONS

CKT	BLADE CONFIGURATION	RECEPTACLE CONFIGURATION	DIMENSIONS									
			U	V	W	X	Y	AA	AB	AC	AD	AE
2X4	STANDARD	STANDARD	115.24	94.36	93.93	75.62	32.10	32.93	32.54	32.85	31.76	56.81
2X8	STANDARD	STANDARD	132.49	102.81	102.73	84.07	36.10	45.44	45.44	42.65	45.44	68.18
2X10	STANDARD	STANDARD	132.49	102.81	102.73	84.07	36.10	45.44	45.44	42.65	45.44	68.18

FUNCTIONAL SYMBOLS $\frac{F}{A} = 0$ $\frac{F}{C} = 0$ $\frac{F}{P} = 0$ DIVISIONAL SYMBOLS	THIS DRAWING CONTAINS INFORMATION THAT IS PROPRIETARY TO MOLEX ELECTRONIC TECHNOLOGIES, LLC AND SHOULD NOT BE USED WITHOUT WRITTEN PERMISSION		CURRENT REV DESC:		<p>MX150 BLADE DUAL ROW SEALED ASSEMBLY</p> <p>PRODUCT SALES DRAWING</p>
	DIMENSION UNITS	SCALE	GENERAL TOLERANCES (UNLESS SPECIFIED)		
	mm	1:1	ANGULAR TOL ± 1°		
	DRAFT WHERE APPLICABLE MUST REMAIN WITHIN DIMENSIONS		STATUS: Production DRWN: Yann Chen CHK'D: Yu Chao Fu APPR: Elvis Song		
THIRD ANGLE PROJECTION		DRAWING	SERIES	DOCUMENT NUMBER	DOC TYPE DOC PART REVISION
		A1-SIZE	33482	SD-33482-0001	PSD 001 E3
		MATERIAL NUMBER		CUSTOMER	
		GENERAL MARKET		SHEET NUMBER	
				11 OF 11	