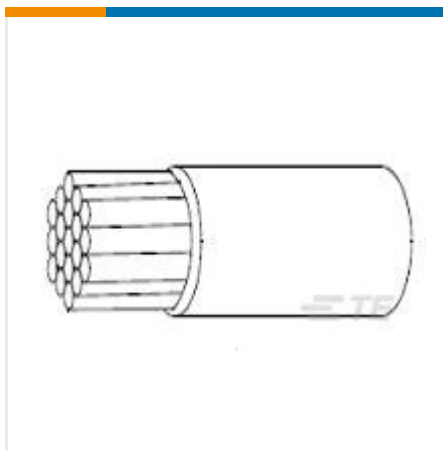




**+** WIRE AND CABLE

HOOK UP WIRE



✓ Active

TE CONNECTIVITY (TE)

## 55/9952-16-9(LAT3)

Raychem

55/9952-16-9(LAT3)

TE Internal Number: 1075453003

Alias ID: 7-1190785-4

EU RoHS Compliant

EU ELV Compliant

**Cable Type** Spec 55

**Voltage Rating (V)** 600

**Insulation Material** Radiation-Crosslinked, Modified Fluoropolymer

**Conductor Material** Silver-Coated Copper

**Wire Size (AWG)** 16

**↓** **PRODUCT DRAWING**  
English

### DOCUMENTATION

Product Drawings

#### Customer Drawing

PDF

English

Catalog Pages/Data Sheets

#### 1654025\_Sec9\_SPEC55

PDF

English

### FEATURES



Please review product documents or [contact us](#) for the latest agency approval information.

Please Note: Use the Product Drawing for all design activity.

---

#### Product Type Features

**Cable Type** Spec 55

**Cable Style** Special Construction

**Product Classification** High Performance - Spec 44, 55 & RCW

**Product Type** Wire

---

#### Configuration Features

**Number of Strands** 19

**Number of Conductors** 1

---

#### Electrical Characteristics

**Voltage Rating (V)** 600

**Resistance (Max)** 14.8  $\Omega$ /1000m @ 20°C

---

#### Body Features

**Insulation Material** Radiation-Crosslinked, Modified Fluoropolymer

**Conductor Material** Silver-Coated Copper

**Wire Color** White

**Weight (kg/km)** 14.05

---

#### Dimensions

**Wire Size (AWG)** 16

**Conductor Diameter** 1.48 mm [ .0583 in ]

**Overall Outside Diameter** 1.83 mm [ .072 in ]

**Conductor Diameter Range** 1.69 – 1.74 mm [ .067 – .069 in ]

**Wire Diameter** 1.83 mm [ .072 in ]

---

#### Usage Conditions

**Operating Temperature Range (°C)** -65 – 200

---

#### Other

**Wire Source** United Kingdom

---

## PRODUCT COMPLIANCE



Statement of Compliance

**Statement of Compliance**

PDF

---