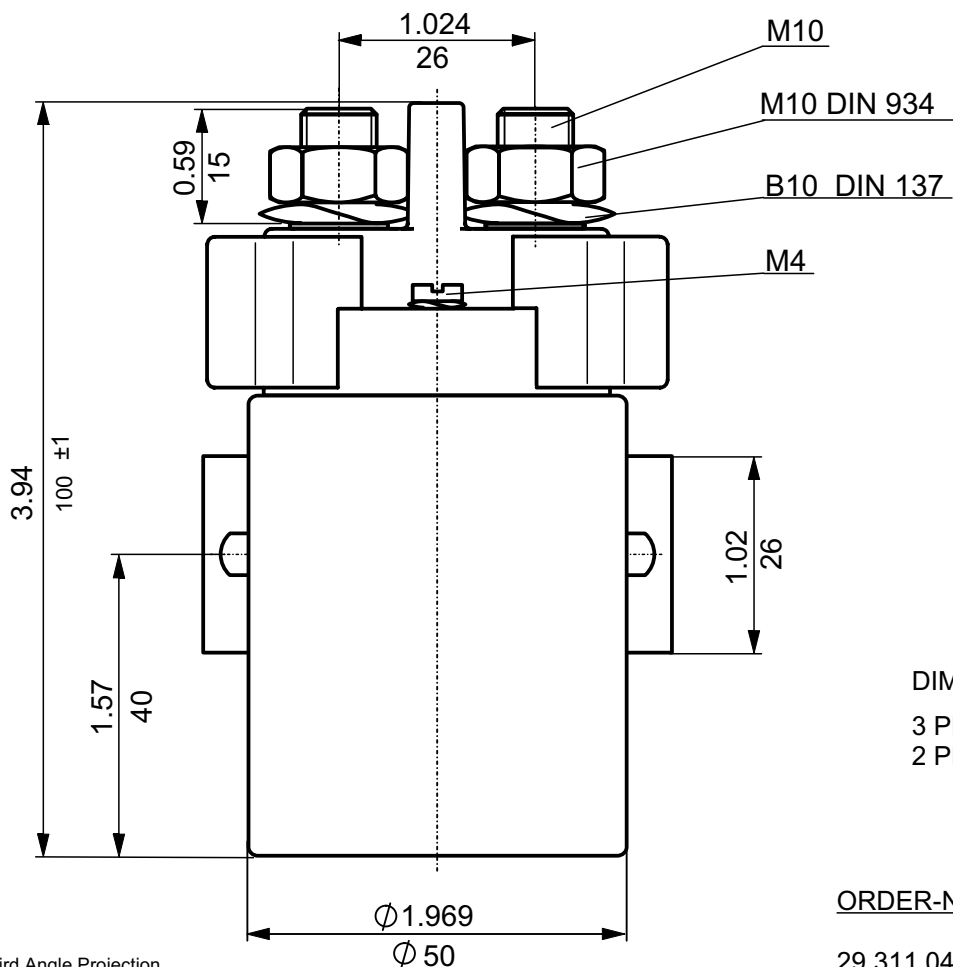
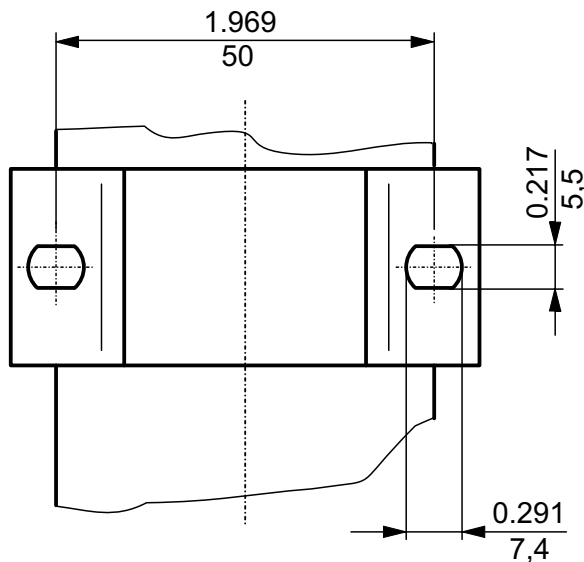
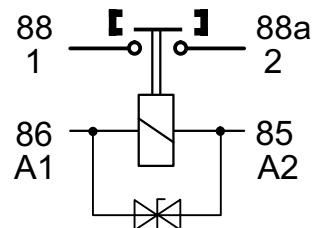


MAGNETIC BLOWOUTS

MOUNTING DIMENSION



CIRCUIT



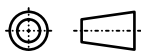
DIMENSIONAL TOLERANCES

- 3 PLACE DECIMAL ± 0.010
- 2 PLACE DECIMAL ± 0.03
- ANGULAR ± 0°30'

ORDER-NO.

- 29.311.04B WITHOUT SUPPRESSION
- 29.311.14B WITH SUPPRESSION

Third Angle Projection



1998	Date	Name	Inch mm	Scale 1:1
Design	20.05.	Bo.		
Check	20.05.	Grupp	General Tolerances	
Appro			DIN 7168 m ISO 2768	



Drawing No. ≙ Order No.

**29.311.04B**  
**29.311.14B**

