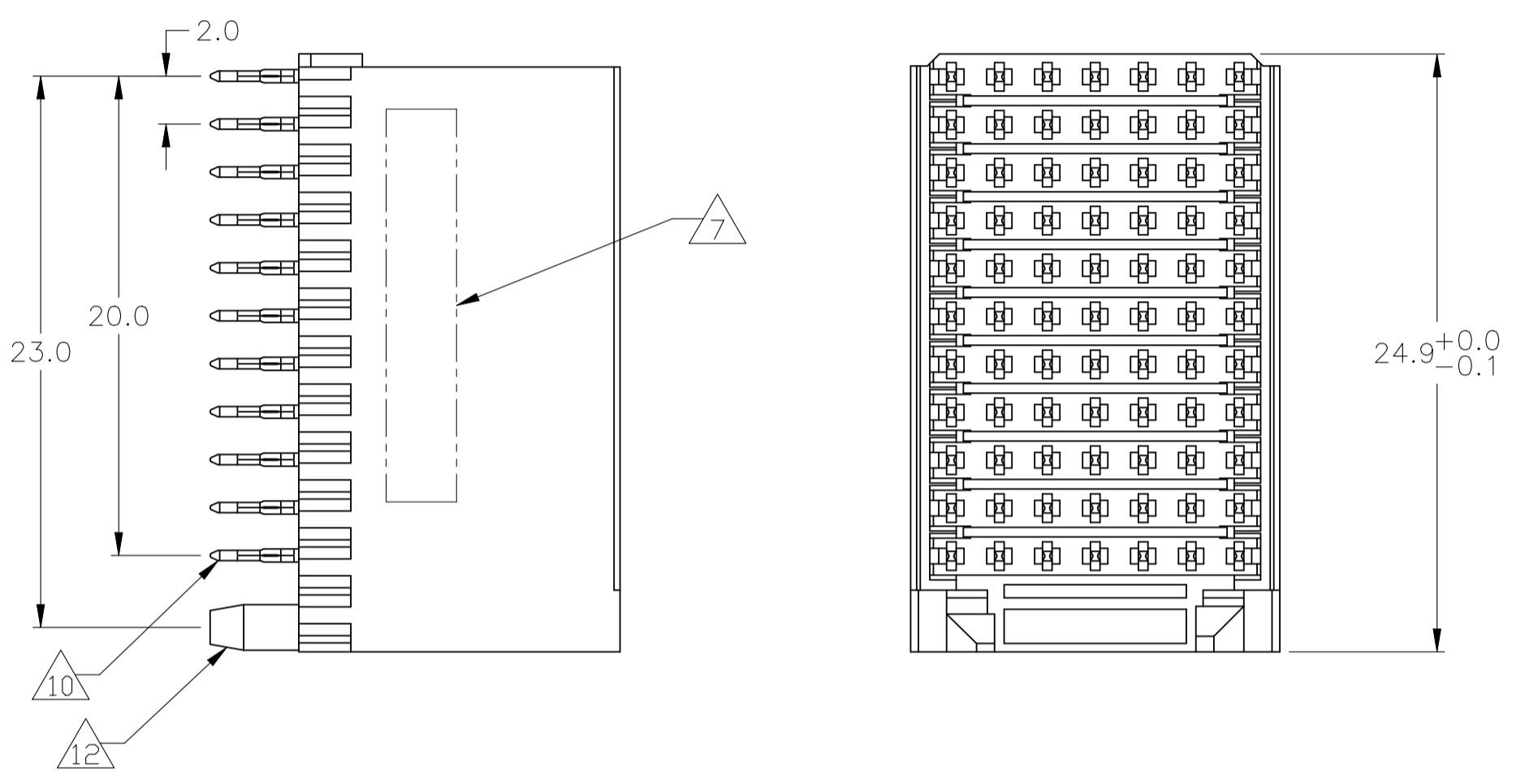
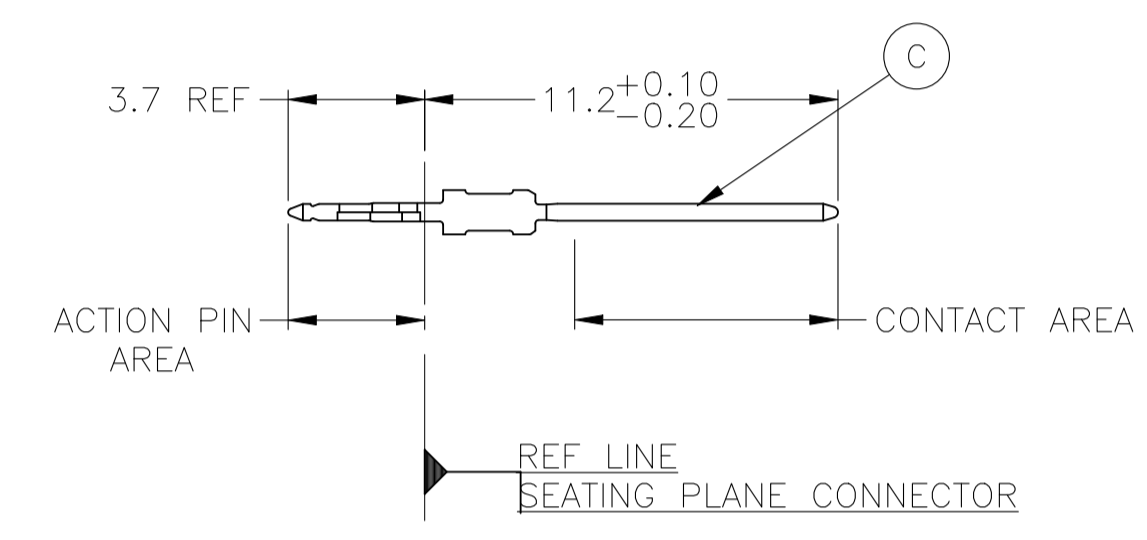
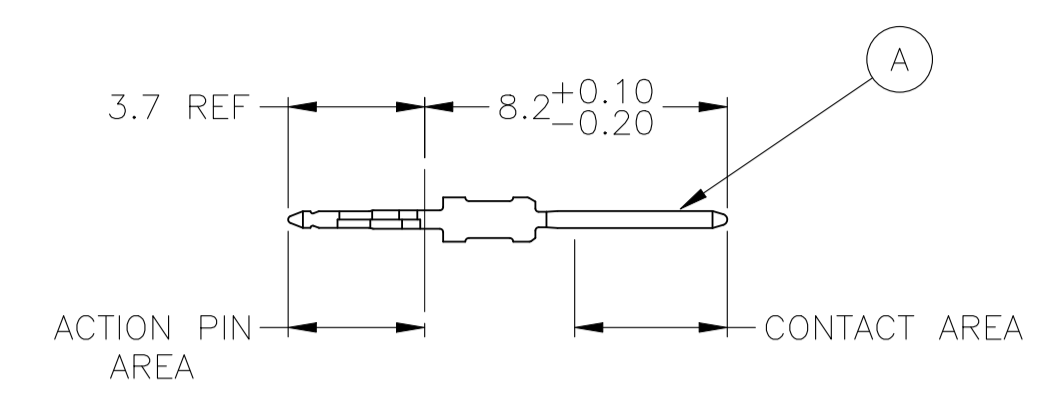


REVISIONS					
P	LTR	DESCRIPTION	DATE	OWN	APVD
D2		ALTERNATIVE PLATING ADDED PER PCN-25-253811	25JUL2025	TNN	JM

**CONNECTOR ASSEMBLY
EXAMPLARY LOADED** 

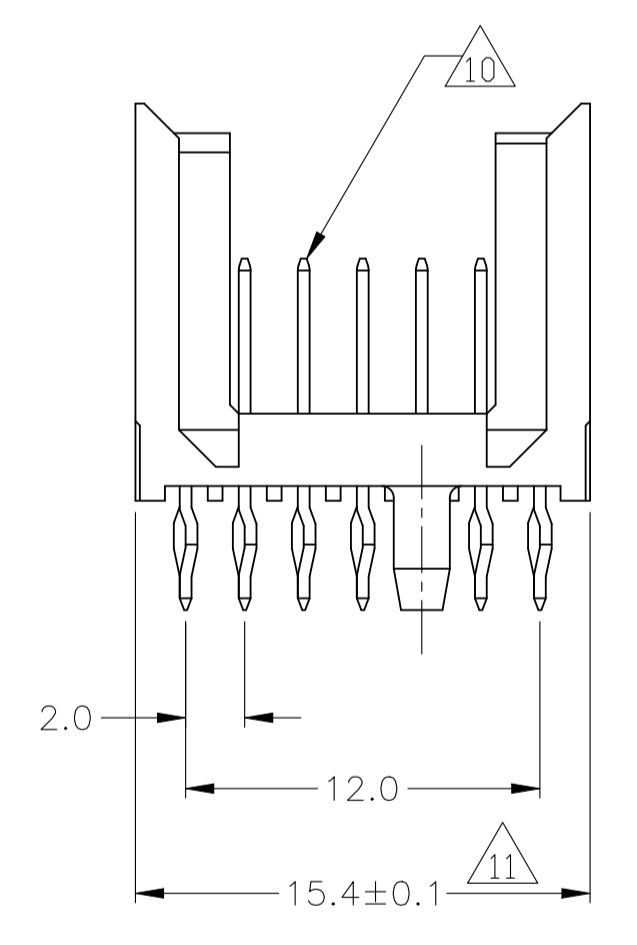


CONTACT DIMENSIONS
SCALE 5:1

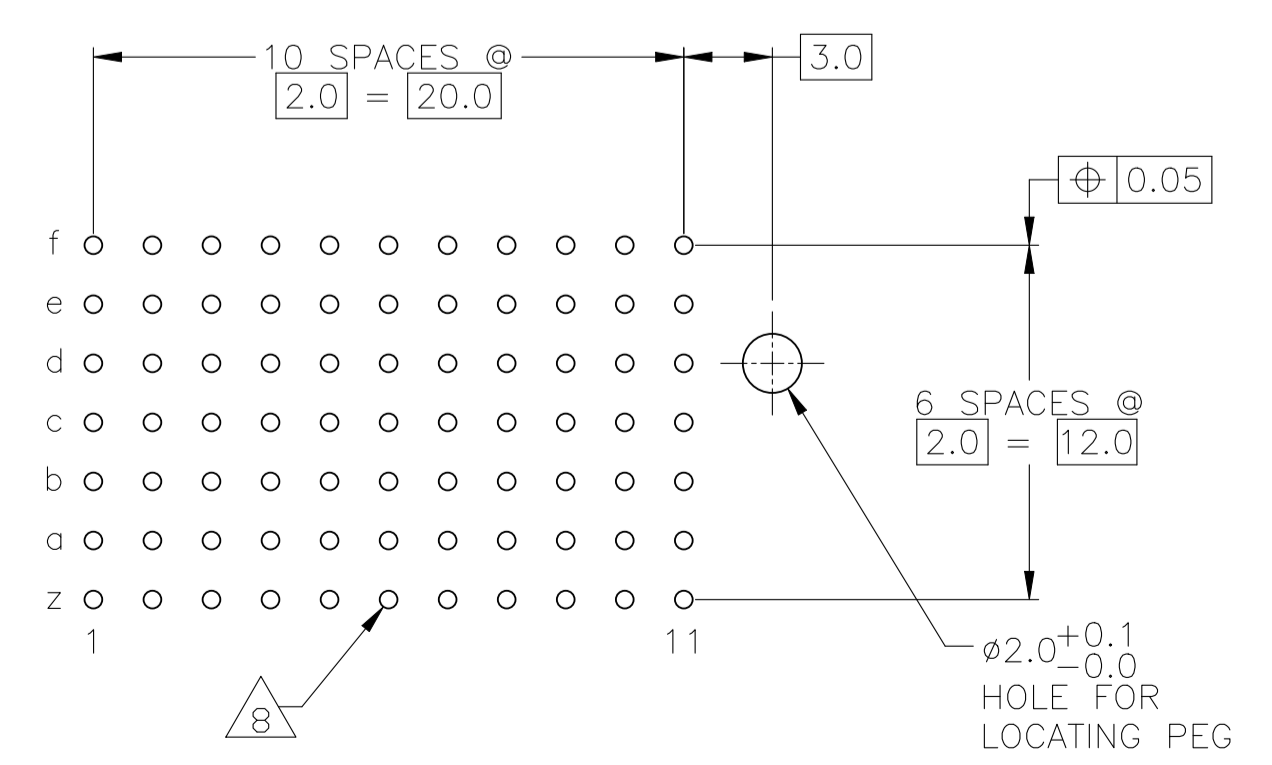


CONTACT LAYOUT






	z	a	b	c	d	e	f
1	C	A	A	A	A	A	C
2	C	A	A	A	A	A	C
3	C	A	A	A	A	A	C
4	C	A	A	A	A	A	C
5	C	A	A	A	A	A	C
6	C	A	A	A	A	A	C
7	C	A	A	A	A	A	C
8	C	A	A	A	A	A	C
9	C	A	A	A	A	A	C
10	C	A	A	A	A	A	C
11	C	A	A	A	A	A	C
GUIDING							



**RECOMMENDED PCB-HOLE LAYOUT
COMPONENT SIDE SHOWN**

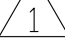


PLATED THRU HOLES PARAMETERS
REFERENCE APPLICATION SPECIFICATION

FINISH	PART NUMBER
	3-5106081-0
	1-5106081-9
	5106081-9
	5106081-4
	5106081-1


THIS DRAWING IS A CONTROLLED DOCUMENT.


DIMENSIONS: mm	TOLERANCES UNLESS OTHERWISE SPECIFIED:	0-PLG ± 0.2	1-PLG ± 0.2	2-PLG ± 0.02	3-PLG ± 0.005	4-PLG ± 0.005	ANGLES ± 0.30°
----------------	--	-------------	-------------	--------------	---------------	---------------	----------------

DWN: B. CARBO	24JAN05	NAME: MALE ASSEMBLY, Z-PACK 2mm HM, TYPE C
CHK: G. SKIPPER	24JAN05	PRODUCT SPEC: 108-19082
APVD: G. SKIPPER	24JAN05	APPLICATION SPEC: 114-19029
MATERIAL: 	FINISH: SEE TABLE	WEIGHT: -

SIZE: A1	CAGE CODE: 00779	DRAWING NO: C=5106081	RESTRICTED TO: -
CUSTOMER DRAWING		SCALE: 4:1	SHEET 1 OF 2

REVISIONS				
P	LTR	DESCRIPTION	DATE	APPV
-	-	SEE SHEET 1	-	-

- 1 MATERIAL:
CONTACT: PHOSPHOR BRONZE.
HOUSING: GLASS-FILLED POLYESTER.
- 2 GENERAL PLATING SPECIFICATION: UNDERPLATING
(ENTIRE CONTACT): 1.27µm MIN NICKEL AND ACTION
PIN: 0.5µm MIN TIN.
FOR PLATING OF MATING SURFACES SEE APPLICABLE
SPECIFICATION REFERENCE FOR EACH DASH NUMBER.
- 3 CONFORMS TO ALL TESTING ACCORDING TO IEC 61076-4-101
PERFORMANCE LEVEL 2.
- 4 CONFORMS TO ALL TESTING ACCORDING TO IEC 61076-4-101
PERFORMANCE LEVEL 1.
- 5 CONNECTOR TESTED AND QUALIFIED AGAINST TELCORDIA GR-1217-CORE QUALITY LEVEL 3,
CENTRAL OFFICE APPLICATIONS.
- 6 CONNECTOR TESTED AND QUALIFIED AGAINST TELCORDIA GR-1217-CORE QUALITY LEVEL 3,
UNCONTROLLED ENVIROMENT APPLICATIONS.
- 7 CONNECTOR MARKED WITH PART NUMBER AND DATE CODE.
ADDITIONAL CHARACTERS OR MARKINGS, AS WELL AS THE LOCATION OF THE MARKINGS,
MAY BE ADDED FOR TRACEABILITY BASED UPON MANUFACTURERS DISCRETION.
- 8 PLATED-THROUGH HOLES AT 2x2mm SQUARE GRID
PATTERN DEFINED BY CONTACT LAYOUT.
- 9 FOR ACTUAL PIN LOADING SEE "CONTACT LAYOUT".
- 10 FOR ACTUAL PIN DIMENSIONS SEE "CONTACT DIMENSIONS".
- 11 TO BE MEASURED AT BOTTOM OF SHROUD.
- 12 LOCATION PEG.
- 13 CONNECTOR LUBRICATED WITH BELCORE APPROVED LUBRICANT,
TECHNICAL REFERENCE: TR-NWT-001217 ISSUE 1, SEP 1992.
- 14 0.76µm MIN GOLD PLATING OR 0.08µm MIN GOLD OVER 0.68µm MIN PdNi PLATING ON MATING SURFACES 

THIS DRAWING IS A CONTROLLED DOCUMENT.		DWN B. CARBO 24JAN05 CHK G. SKIPPER 24JAN05 APPV G. SKIPPER 24JAN05	 TE Connectivity Ltd.		
DIMENSIONS: mm	TOLERANCES UNLESS OTHERWISE SPECIFIED: 0-PLG ± 0.2 1-PLG ± 0.2 2-PLG ± 0.02 ± 0.2 3-PLG ± 0.005 4-PLG ± 0.005 ANGLES ± 0.30°	NAME G. SKIPPER PRODUCT SPEC 108-19082 APPLICATION SPEC 114-19029	MALE ASSEMBLY, Z-PACK 2mm HM, TYPE C		
MATERIAL SEE SHEET 1	FINISH SEE SHEET 1	WEIGHT -	SIZE A1	CAGE CODE 00779 DRAWING NO 5106081	RESTRICTED TO -
CUSTOMER DRAWING		SCALE 4:1	SHEET 2	OF 2	REV D2