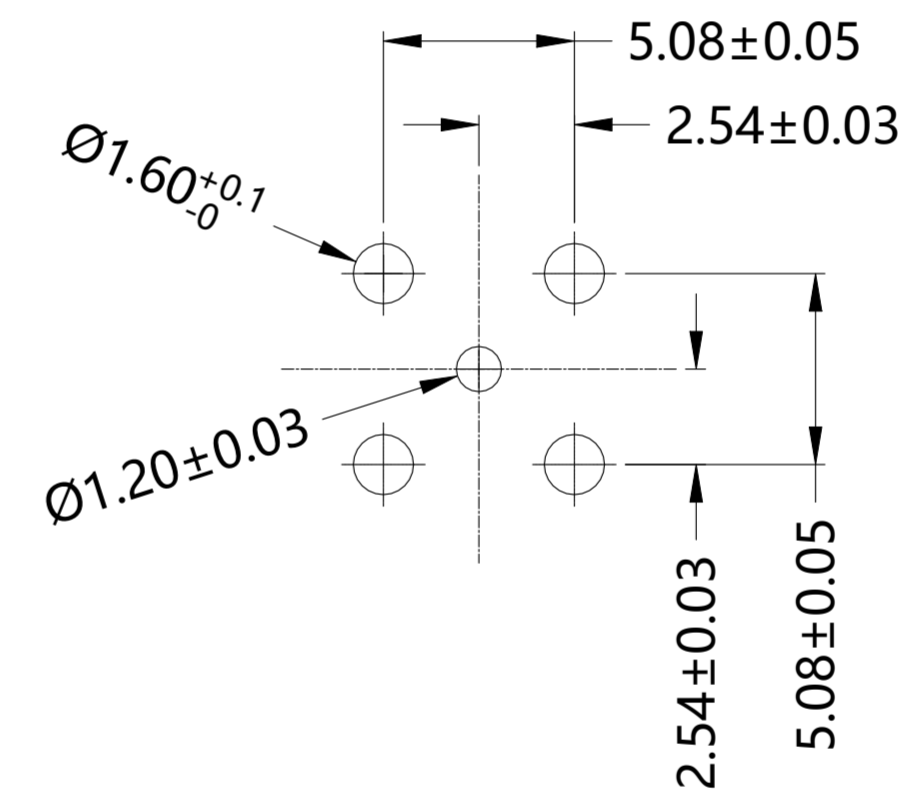
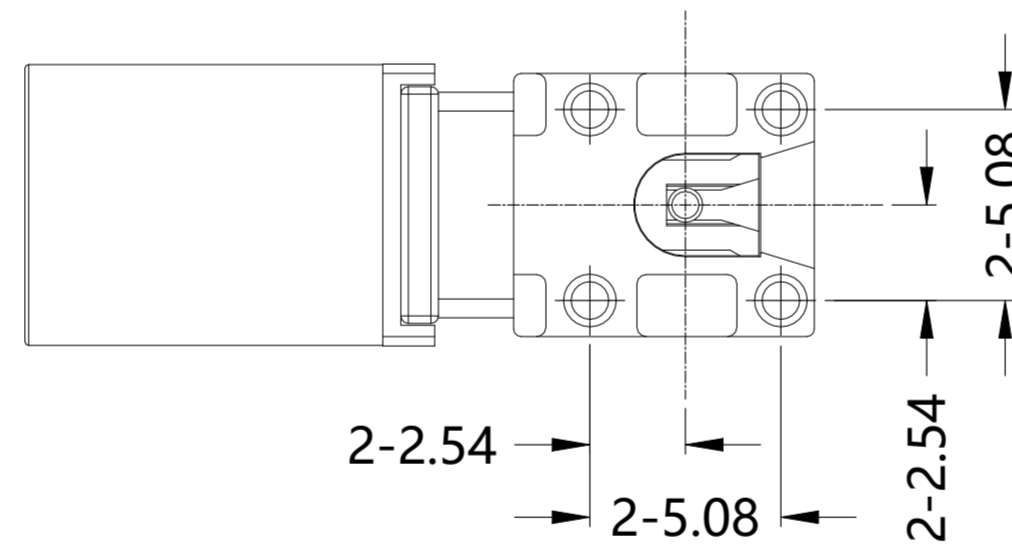
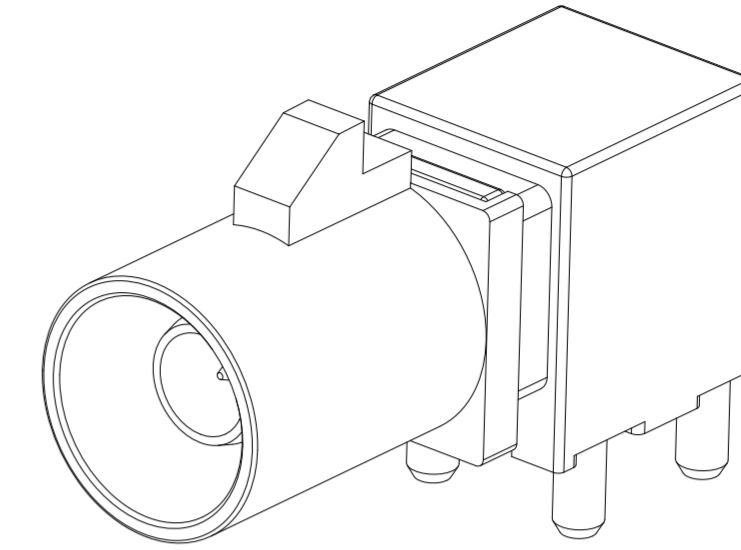
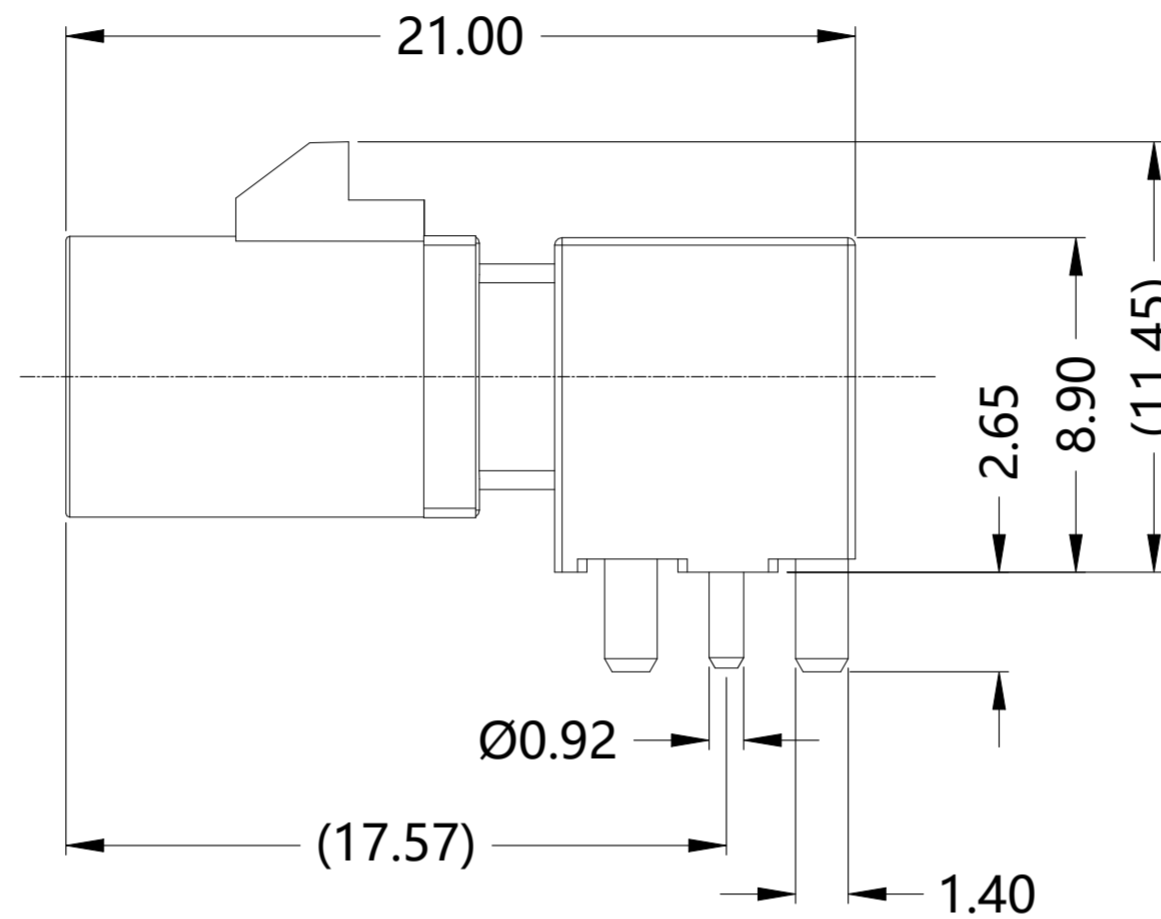
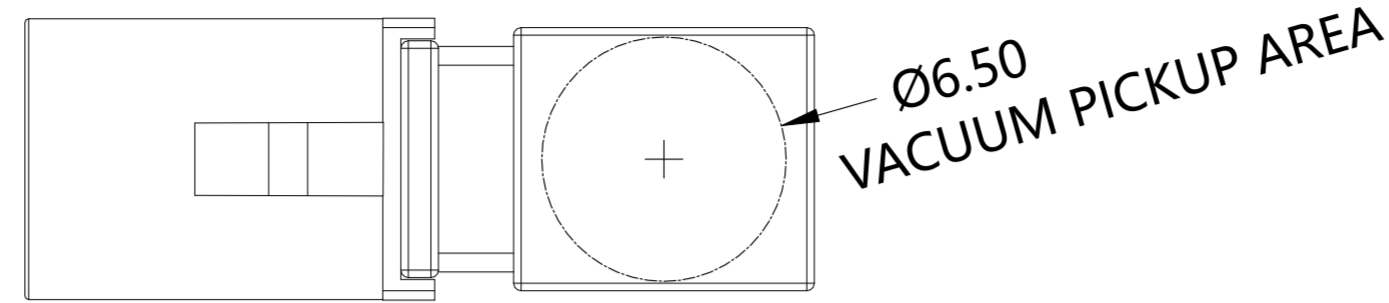
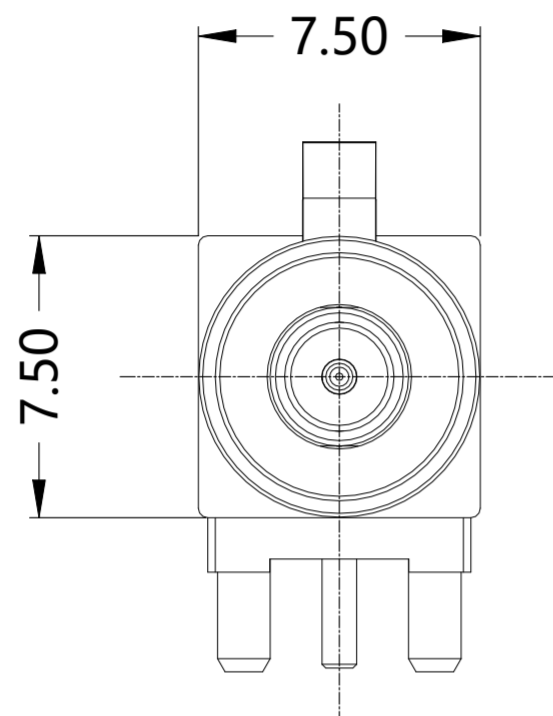


REVISIONS					
P	LTR	DESCRIPTION	DATE	DWN	APVD
A		GTP PER ECN-24-292364	07NOV2024	ED	WH



NOTES:

- PACK IN ACCORDANCE WITH TE SPEC 107-3275;
- ALL DIMENSIONS ARE NOMINAL FOR REFERENCE ONLY UNLESS OTHERWISE STATED;
- ELECTRICAL CHARACTERISTICS :  
 FREQUENCY RANGE : DC-6GHz  
 NOMINAL IMPEDANCE : 50 OHMS  
 INSULATION RESISTANCE : 1000 MOHMS  
 WORKING VOLTAGE : 250 VRMS MAX  
 DIELECTRIC WITHSTANDING VOLTAGE : 800 VOLTS MAX  
 INSERTION LOSS : 0.15\*SQRT(F) dB MAX  
 VSWR : 1.25 MAX(DC-2GHz)  
           1.35 MAX(2-3GHz)  
           1.45 MAX(3-6GHz)  
 CONTACT RESISTANCE :  
     CENTER CONTACT : 5 mOHMS MAX  
     OUTER CONTACT : 2.5 mOHMS MAX;
- MECHANICAL CHARACTERISTICS :  
 DURABILITY : 100 CYCLES  
 MATING FORCE : 25N MAX;  
 DISENGAGEMENT FORCE : 2N MIN;  
 CONNECTOR DISENGAGEMENT FORCE WITH LOCK : 110N MIN;  
 UNMATING FORCE WITH DISENGAGED : 75N MAX;
- TEMPERATURE RANGE: -40°-+105°;
- RoHS: COMPLIANT;
- ALL DETAIL TEPNs ARE IN PAGE 2.

QTY	DESCRIPTION	MATERIAL	DESCRIPTION	ITEM
1	/	PA66+30%GF	SHELL	4
1	GOLD 3u"/COPPER	BRASS	CONTACT PIN	3
1	NATURAL	HTN 15%GF	INSULATOR	2
1	TIN 100u" MIN	ZINC ALLOY	BODY	1
2485540-X	PLATING	MATERIAL	DESCRIPTION	ITEM

QUANTITY PER ASSY PARTS LIST

THIS DRAWING IS A CONTROLLED DOCUMENT.		DWN ED	15APR2024		TE Connectivity Ltd.	
DIMENSIONS: mm		CHK ED	15APR2024		NAME FAKRA MALE WITH HOUSING, RIGHT ANGLE,STD,PCB,DC-6GHZ	
TOLERANCES UNLESS OTHERWISE SPECIFIED:		APVD WH	15APR2024	SIZE A2		
0 PLC ± -	1 PLC ± 0.3	PRODUCT SPEC		CAGE CODE 00779		
2 PLC ± 0.2	3 PLC ± 0.1	APPLICATION SPEC		DRAWING NO C=2485540		
4 PLC ± -	ANGLES ± 5'	WEIGHT 0		RESTRICTED TO -		
MATERIAL SEE TABLE		CUSTOMER DRAWING		SCALE 8:1		
				SHEET 1 OF 2		REV A

REVISIONS

P	LTR	DESCRIPTION	DATE	DWN	APVD
-		SEE SHEET 1	-	-	-

Mechanical and Color Coding			
TEPN	Color	Coding	
2485540-1	Deep Black	A	
2485540-2	Signal White	B	
2485540-3	Signal Blue	C	
2485540-4	Bordeaux Violet	D	
2485540-5	Leaf Green	E	
2485540-6	Brown	F	
2485540-7	Blue Grey	G	
2485540-8	Heather Violet	H	
2485540-9	Beige	I	
1-2485540-1	Curry Yellow	K	
1-2485540-2	Carmine-red	L	
1-2485540-3	Pastel orange	M	
1-2485540-4	Pastel green	N	
1-2485540-5	Water Blue	Z	

2485540

THIS DRAWING IS A CONTROLLED DOCUMENT.		DWN	15APR2024	 TE Connectivity Ltd.
		CHK	15APR2024	
		APVD	15APR2024	
		PRODUCT SPEC	WH	
DIMENSIONS: mm		TOLERANCES UNLESS OTHERWISE SPECIFIED:		NAME
		0 PLC ± - 1 PLC ± 0.3 2 PLC ± 0.2 3 PLC ± 0.1 4 PLC ± - ANGLES ± 5°		FAKRA MALE WITH HOUSING, RIGHT ANGLE,STD,PCB,DC-6GHZ
MATERIAL SEE TABLE		FINISH	-	SIZE
		WEIGHT	-	A2
		CUSTOMER DRAWING		CAGE CODE
		SCALE	8:1	00779
		SHEET	2 OF 2	DRAWING NO
		REV	A	C=2485540
		RESTRICTED TO	-	