



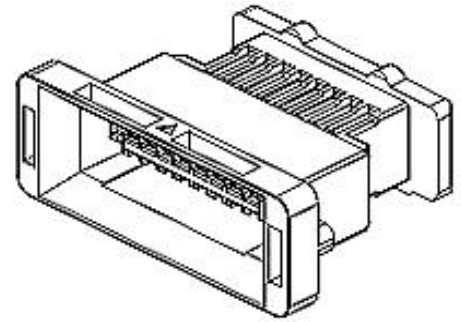
Part Number : [5035591600](#)

Product Description : 2.00mm Pitch Wire-to-Board Plug Housing, Dual Row, Vertical, With Floating Feature for Blind Mating, 16 Circuits

Series Number : 503559

Status : Not Recommended For New Design

Product Category : Connector Housings



Documents and Resources

Drawings

[5035591600_sd.pdf](#)

3D Models and Design Files

[STEP AP242](#)

[SOLIDWORKS](#)

[Creo](#)

Specifications


[AS-503557-001-001.pdf](#)

[SPK-503559-001-001.pdf](#)

[PS-503557-001-001.pdf](#)

Product Environment Compliance

Compliance

GADSL/IMDS	Not Relevant
China RoHS	 per SJ/T 11365-2006
EU ELV	Not Relevant
Low-Halogen Status	Not Low-Halogen per IEC 61249-2-21
REACH SVHC	Not Contained per D(2025)7771-DC (04 Feb 2026)
EU RoHS	Compliant per EU 2015/863

[Compliance Statements](#)

- EU RoHS
- REACH SVHC
- Low-Halogen

Industry Documents

- IPC 1752A Class C
- IPC 1752A Class D
- Molex Product Compliance Declaration
- IEC-62474
- chemSHERPA (xml)

Substances of Interest

- PFAS

EU RoHS Certificate of Compliance

Additional Product Compliance Information

Part Details

General

Status	Not Recommended For New Design
Category	Connector Housings
Series	503559
Description	2.00mm Pitch Wire-to-Board Plug Housing, Dual Row, Vertical, With Floating Feature for Blind Mating, 16 Circuits
Application	Wire-to-Board
Product Name	N/A
UPC	884982144194

Physical

Circuits (maximum)	16
Color - Resin	Black
Gender	Plug
Glow-Wire Capable	No
Lock to Mating Part	Yes
Material - Resin	Polyester
Net Weight	3330.950/mg
Number of Rows	2

Packaging Type	Bag
Panel Mount	Yes
Pitch - Mating Interface	2.00mm
Polarized to Mating Part	Yes
Temperature Range - Operating	-40° to +85°C

Mates With / Use With

Mates with Part(s)

Description	Part Number
2.00mm Pitch Wire-to-Board Vertical Dual Row PCB Receptacles	<u>503557</u>

Use with Part(s)

Description	Part Number
2.00mm (.079") Diameter Male Crimp Terminals	<u>503561</u>

This document was generated on Apr 21, 2026