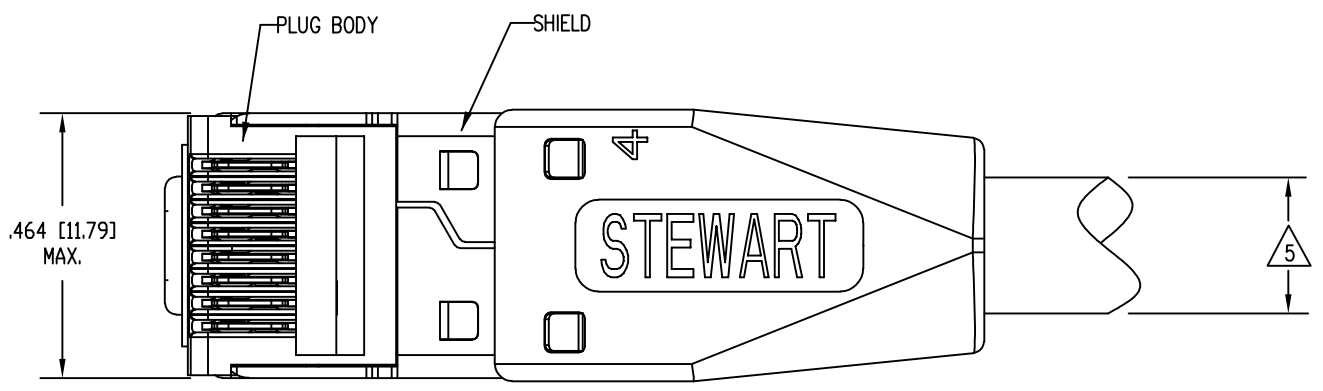
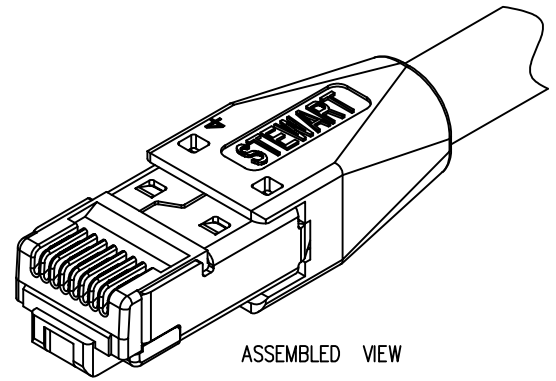


DATE	REV	ECN	APP'D. BY
2-14-19	A0	-	BTS
3-18-19	A1	11356	BTS
12-9-20	A2	11670	JE

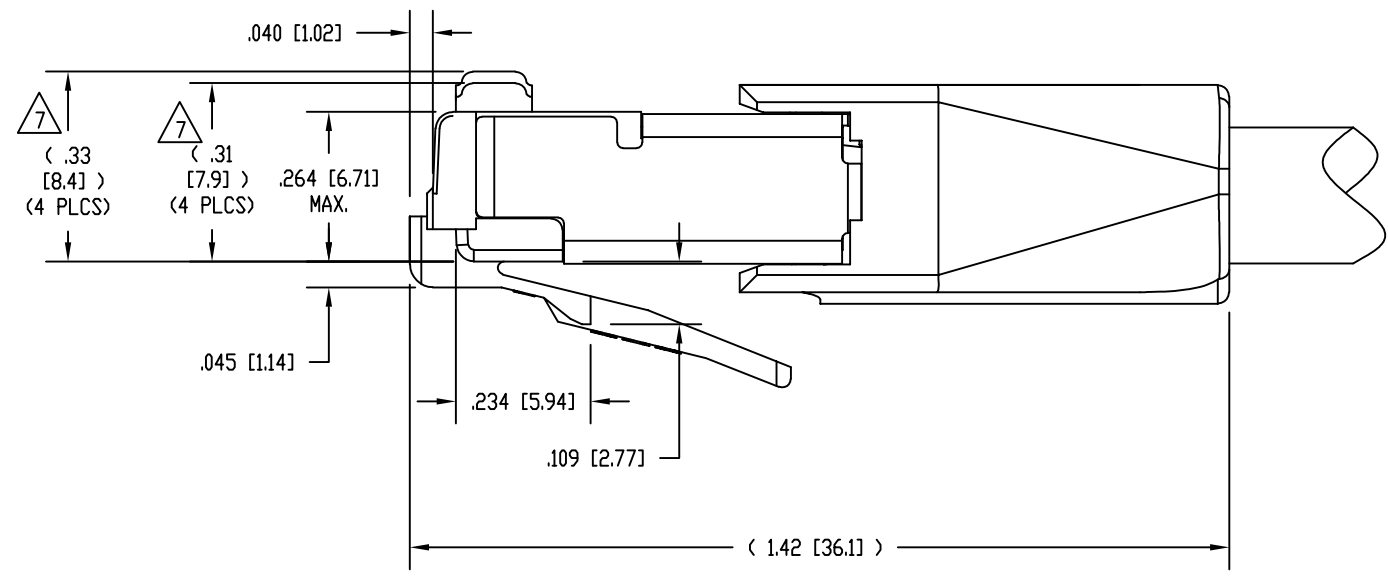
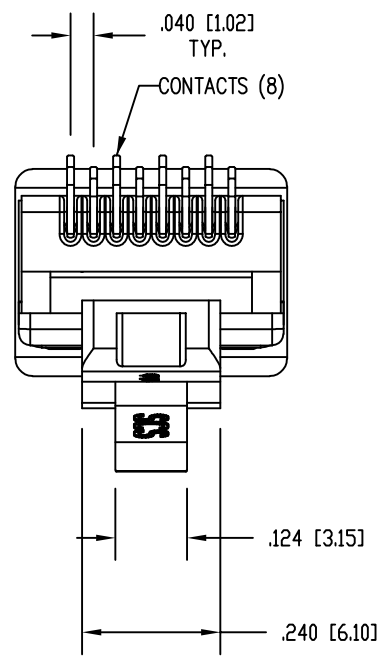


NOTES:

- PLUG KIT CONSISTS OF:  
PRE-INSERTED PLUG BODY WITH SHIELD  
LOAD BAR  
BOOT
- MATERIALS:  
PLUG BODY AND LOAD BAR: CLEAR POLYCARBONATE, UL 94-V0  
BOOT: BLACK POLYCARBONATE, UL 94-V0  
CONTACTS: COPPER ALLOY, SELECTIVE GOLD PLATING  
SHIELD: COPPER ALLOY, NICKEL PLATE
- FOR PRODUCT SPECIFICATION SEE PR026-01.
- CONTACTS TERMINATE SOLID OR STRANDED CONDUCTORS BETWEEN .056 [1.42] TO .062 [1.57] OUTSIDE DIAMETER OF INSULATION.
- CABLES WITH OUTSIDE NOMINAL DIAMETERS OF .315 [8.00] TO .330 [8.38].
- DIMENSIONS AND TOLERANCES COMPLY WITH TIA-1096 STANDARD FORMERLY FCC/CFR 47, PART 68.
- CONTACT HEIGHT BEFORE TERMINATION.  
AFTER TERMINATION, THE CONTACT HEIGHT IS .237 [6.02] ±.005 [0.13].
- PRODUCT DESIGNED FOR CATEGORY 6 AND 6A APPLICATIONS.
- PLUG KIT CONSISTS OF 1 EACH SHIELDED PLUG BODY, LOAD BAR, AND BOOT, PACKED IN ZIPPER BAG.

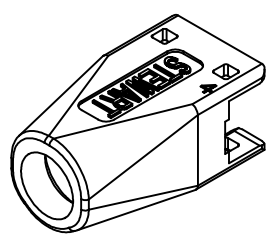
B

B

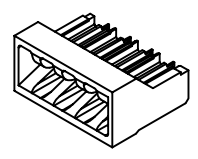


A

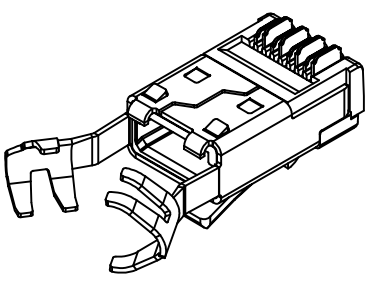
A



BOOT  
39200-935



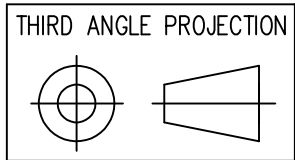
LOAD BAR  
39200-933



PRE-INSERTED PLUG  
BODY WITH SHIELD  
39200-350



BULK	50 MICRO-INCHES [1.27um]	SS-39200-094
BAGGED	50 MICRO-INCHES [1.27um]	SS-39200-093
PACKAGING	CONTACT PLATING IN MATING AREA	PART NUMBER



1118 Susquehanna Trail South  
Glen Rock, PA 17327-9199  
(717) 235-7512  
<http://www.stewartconnector.com>

DO NOT SCALE DRAWING  
DRAWING IS SUBJECT TO  
CHANGE WITHOUT NOTICE

DIMENSIONS: INCHES [METRIC]

UNLESS OTHERWISE SPECIFIED  
TOLERANCES ARE ±.005 [0.13]  
ANGLES ARE ± 1°

SHEET NO. 1 OF 1

TITLE: 8 CONDUCTOR, 8 POSITION SHIELDED PLUG, WITH LOAD BAR,  
.062 MAX DIA WIRE, .330 MAX CABLE

THIS DRAWING AND THE SUBJECT MATTER SHOWN THEREON ARE  
CONFIDENTIAL AND THE PROPRIETARY PROPERTY OF STEWART CONNECTOR  
AND SHALL NOT BE REPRODUCED, COPIED, OR USED IN ANY MANNER WITHOUT  
PRIOR WRITTEN CONSENT OF STEWART CONNECTOR. THIS PRODUCT  
MAY BE PROTECTED BY ONE OR MORE OF THE FOLLOWING US PATENTS:  
5628647 6402559 6409535 6524128  
7753717 8033863  
OTHER PATENTS MAY BE PENDING.

DRN BY: BTS	DATE 02-12-19
APPD BY: JME	DATE 02-14-19
DWG NO. CT390216	REV. A2