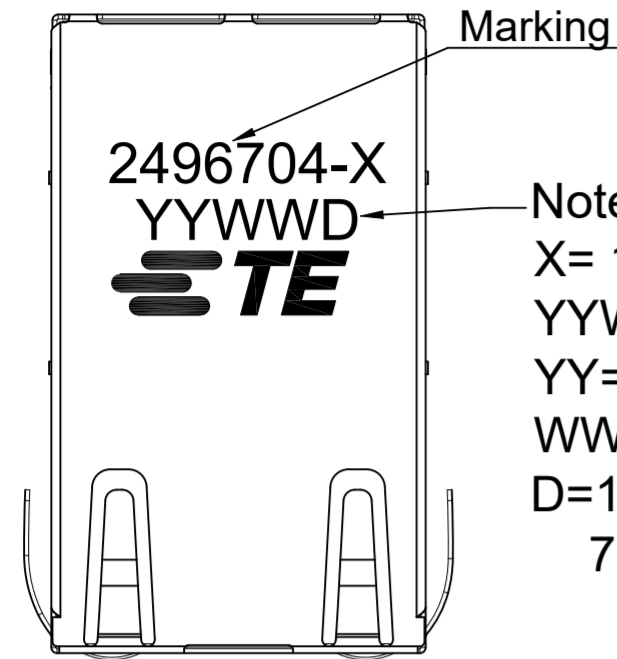
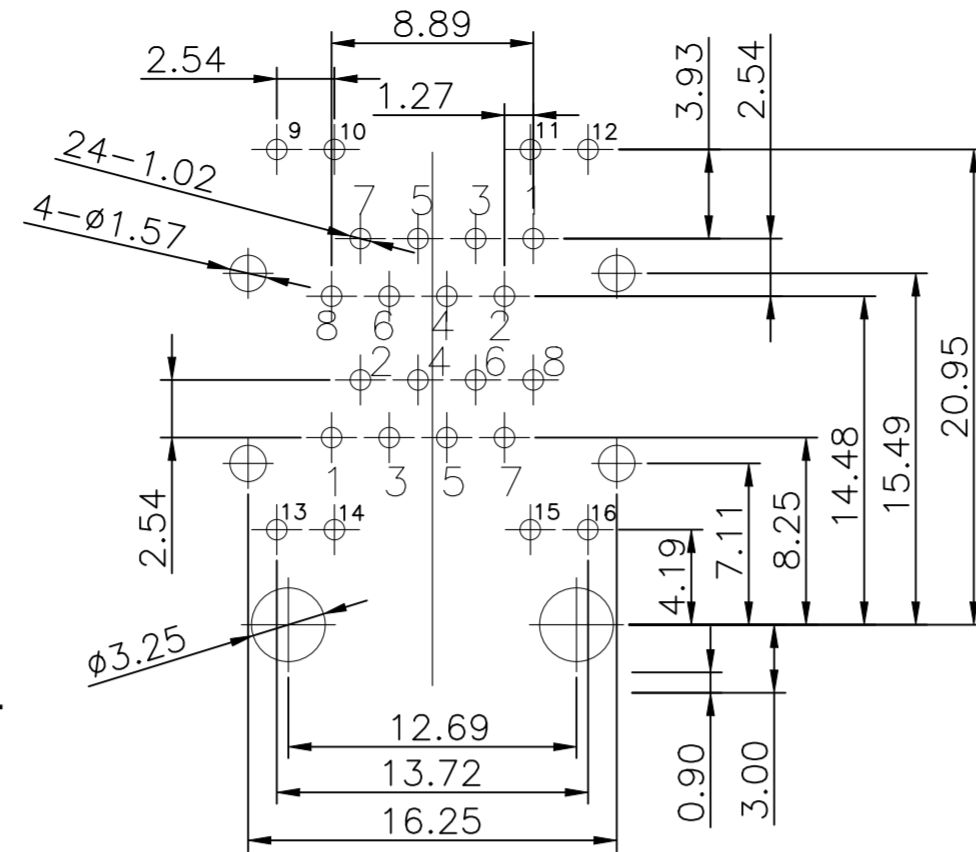


REVISIONS					
P	LTR	DESCRIPTION	DATE	DWN	APVD
A		REVISED PER ECN-25-302515	17JAN2025	TR	RCG

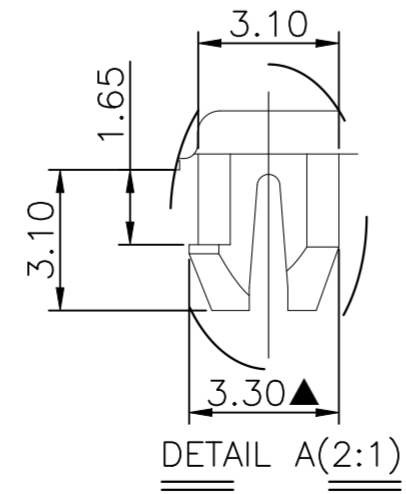
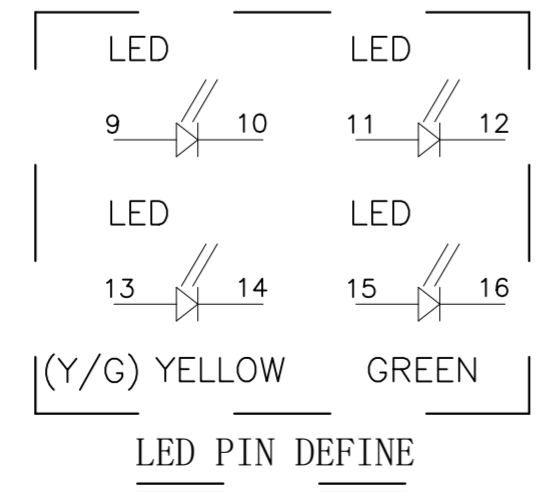
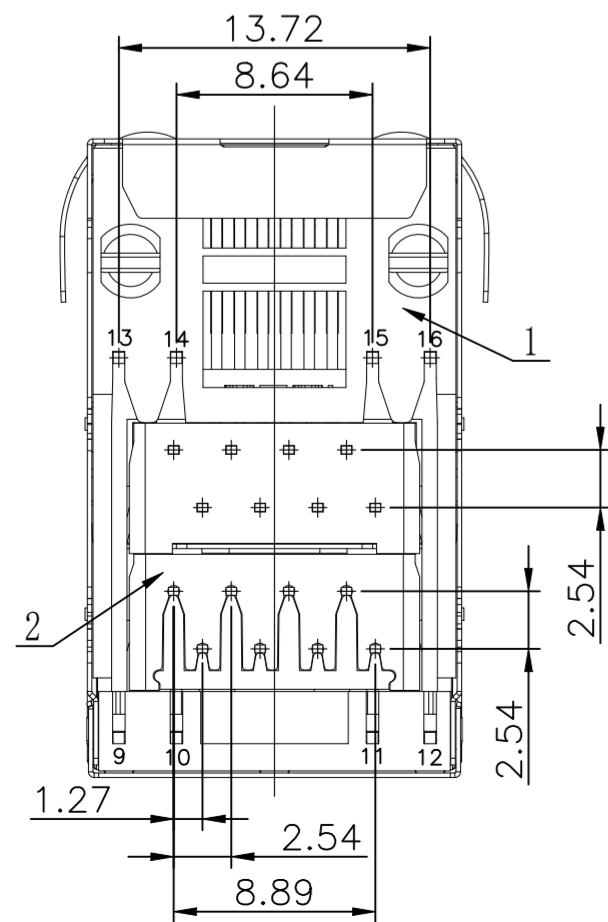
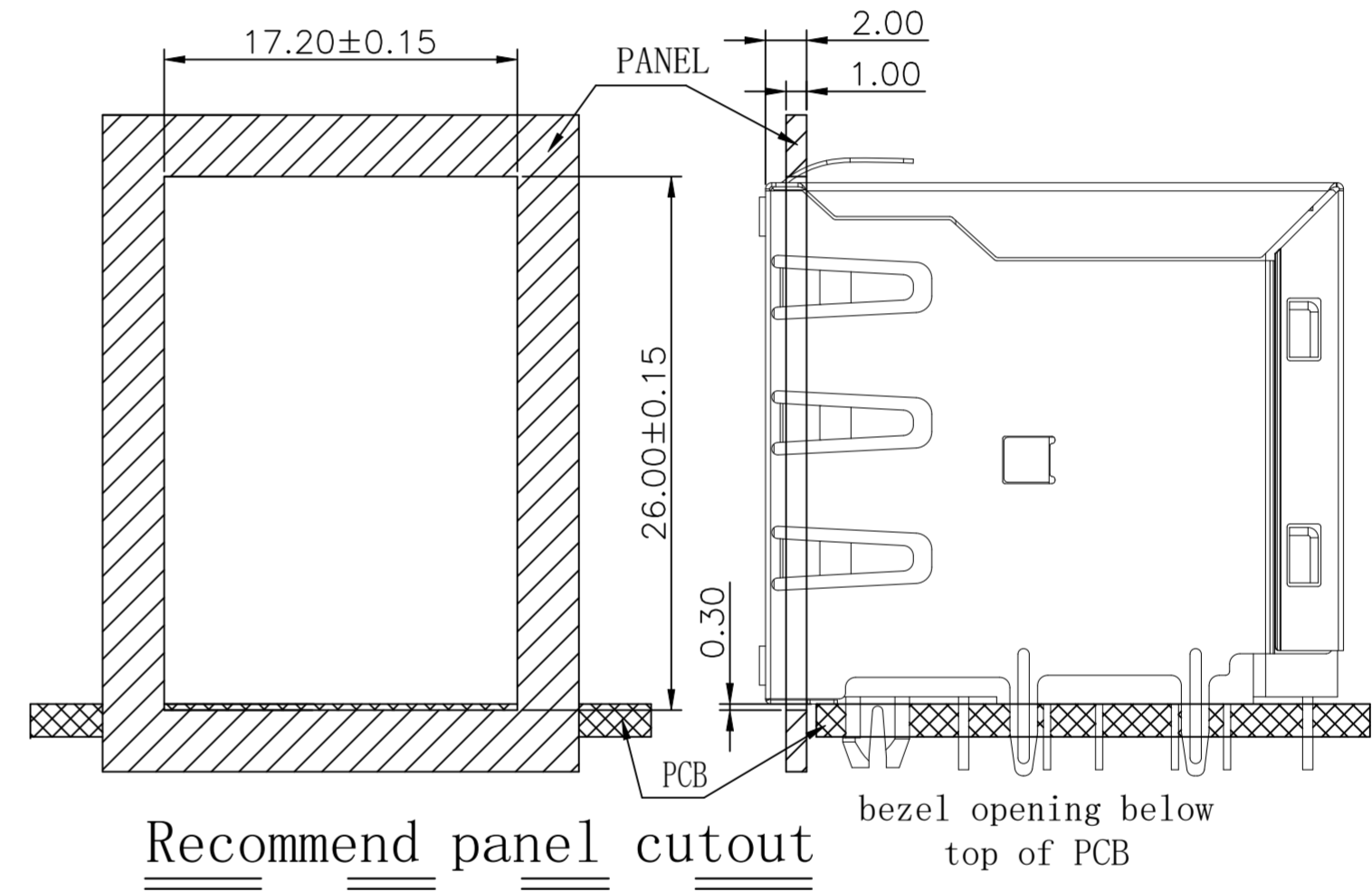
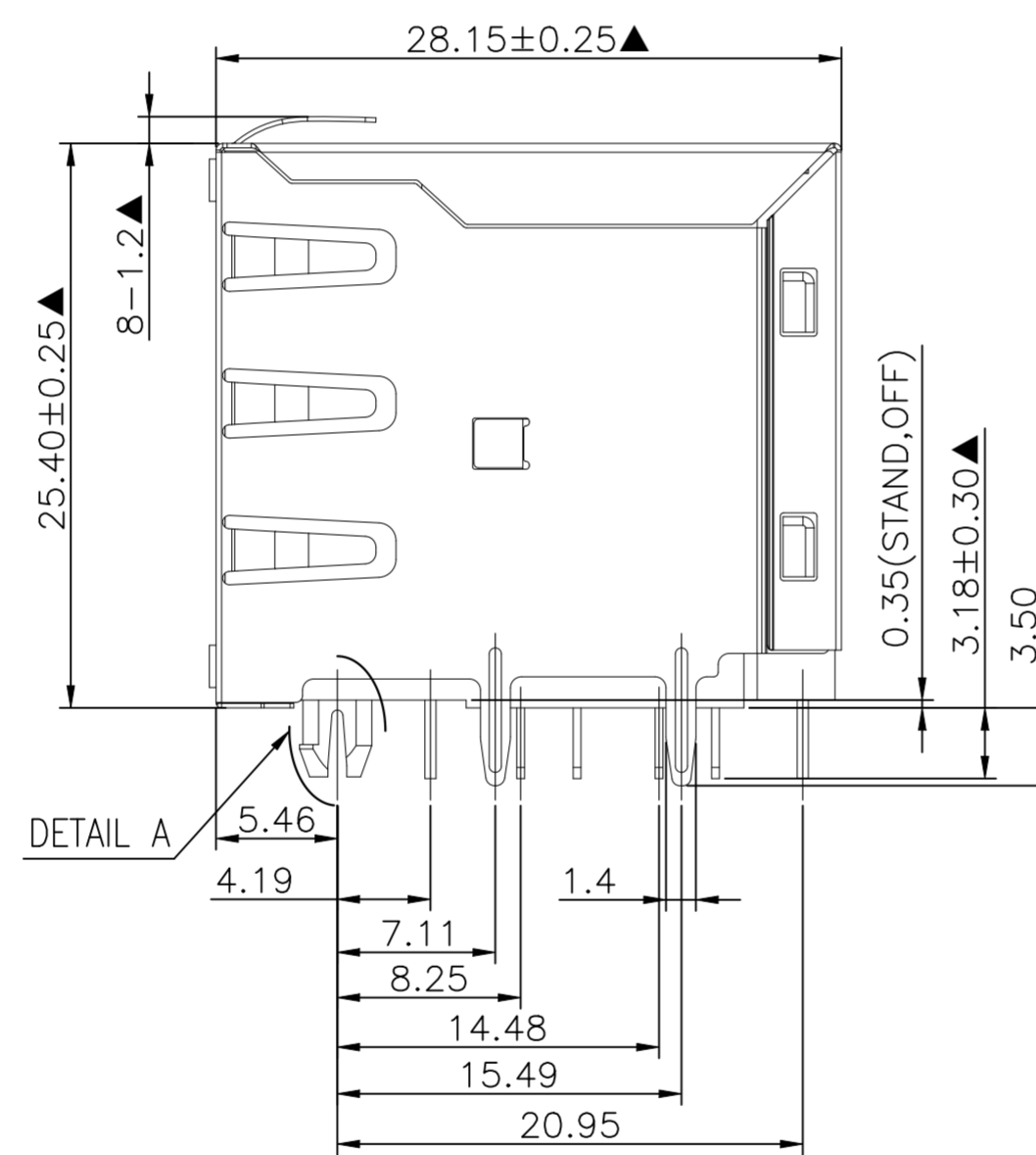
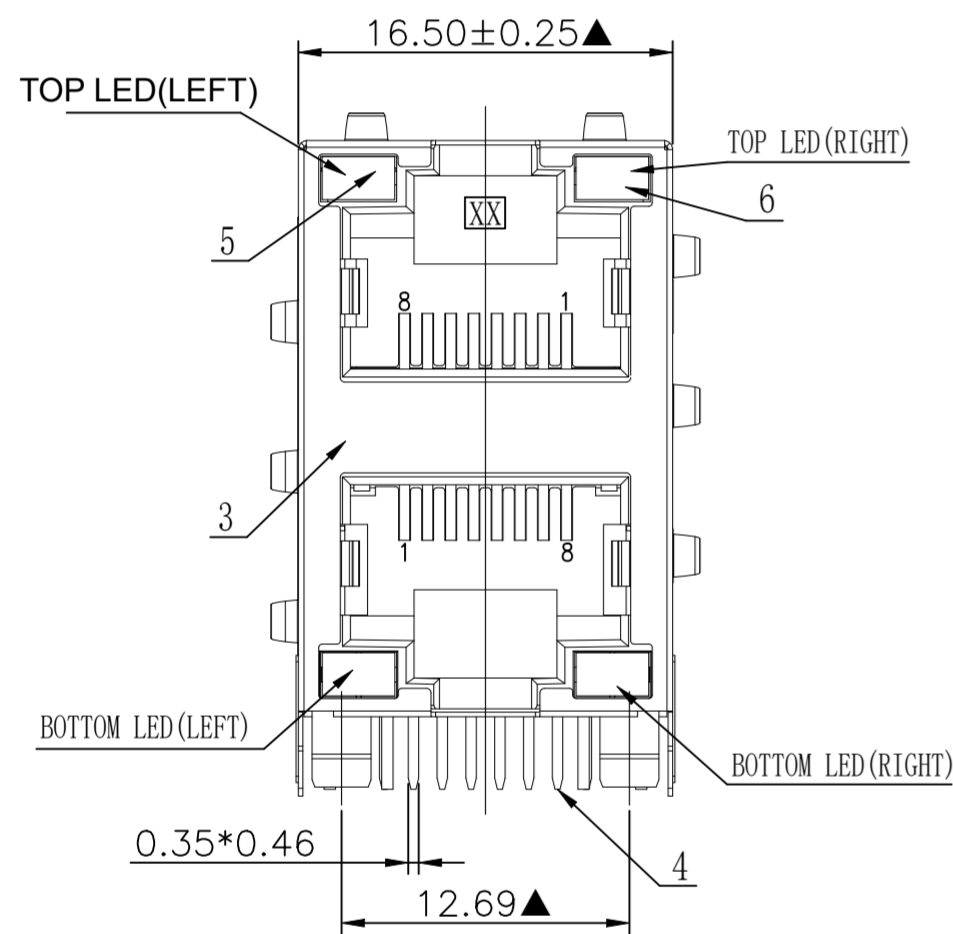


Note:
 X= 1,2,3,4,5,6
 YYWWD
 YY=YEAR
 WW=WEEK
 D=1 for Sunday -
 7 for Saturday



RECOMMENDED P.C.B LAYOUT TOP VIEW
 (COMPONENT SIDE TOLERANCE±0.05 THICKNESS=1.6mm)

- NOTE:**
- Housing: PA46 BLACK UL94V-0.(RoHS)
 - Insert: PBT BLACK UL94V-0.(RoHS)
 - Shielding: Copper Alloy with Nickel Plated.(RoHS)
 - Contact: T0.35*0.46mm Phosphor Bronze(RoHS).
 - Led: YELLOW(RoHS)
 - Led: GREEN(RoHS)
- ※Mates With Modular Plug Conforming To Fcc Part 68,Subpart F.
 ※The Dimensions Marked"▲" Symbols Are Stand For Key Characteristics.



GF	2496704-6
0.0762 μm [3μ"]	2496704-5
0.1524 μm [6μ"]	2496704-4
0.381 μm [15μ"]	2496704-3
0.762 μm [30μ"]	2496704-2
1.27 μm [50μ"]	2496704-1
GOLD PLATING THICKNESS	PART NUMBER

THIS DRAWING IS A CONTROLLED DOCUMENT.		DWN	TARUN, R	10NOV2024	TE Connectivity		
DIMENSIONS: mm [INCHES]		CHK	RAMESH, KIVADER	11NOV2024	NAME		
TOLERANCES UNLESS OTHERWISE SPECIFIED:		APVD	RAGHAVAN, CG	11NOV2024	RJ45 W/O MAGNET 2X1 LED		
0 PLC ± -	1 PLC ± 0.35	PRODUCT SPEC	108-161621	SIZE	CAGE CODE	DRAWING NO	RESTRICTED TO
2 PLC ± 0.25	3 PLC ± 0.15	APPLICATION SPEC	114-161218	A2	00779	C=2496704	-
4 PLC ± -	ANGLES ± 2°	WEIGHT	-	SCALE	1:1	SHEET	1 OF 2
MATERIAL	FINISH	CUSTOMER DRAWING	-	REV	A		