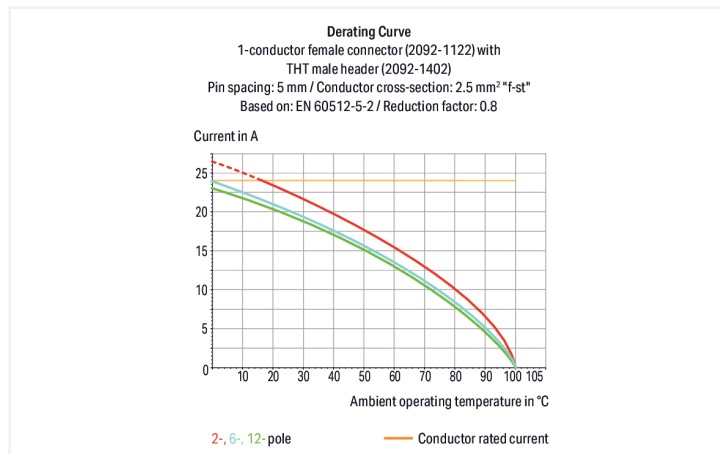
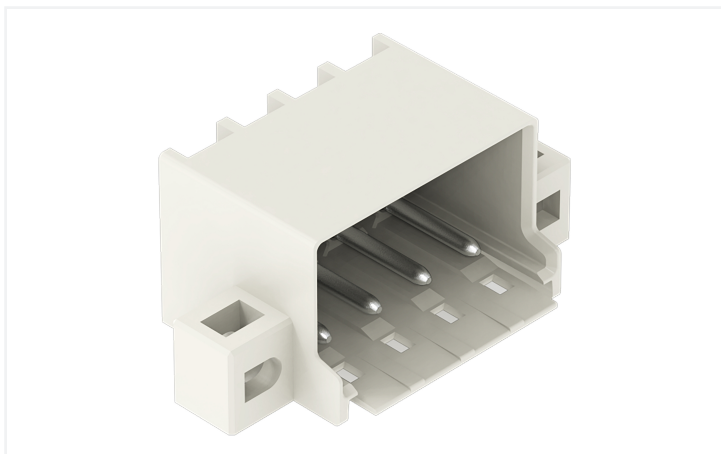


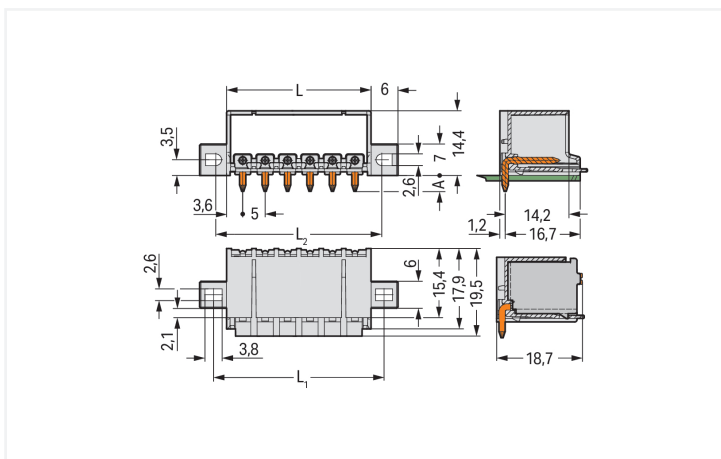
# Data Sheet | Item Number: 2092-1424/005-000

THT male header; 1.4 mm Ø solder pin; angled; clamping collar; Pin spacing 5 mm;  
4-pole; light gray

<https://www.wago.com/2092-1424/005-000>



Color: ■ light gray



Dimensions in mm

$L = (\text{pole no.} \times \text{pin spacing}) + 2.2 \text{ mm}$   
 $L_1 = (\text{pole no.} \times \text{pin spacing}) + 8 \text{ mm}$   
 $L_2 = (\text{pole no.} \times \text{pin spacing}) + 7 \text{ mm}$   
 $A = 3.6 \text{ mm}$  THT solder pin  
 $A = 2.4 \text{ mm}$  THR solder pin

Male connector, 2092 Series, light gray

Our male connector (item number 2092-1424/005-000) is designed for seamless electrical installations. The item's dimensions are (34.2 x 18 x 19.5) mm (width x height x depth).

The contact surface is coated with tin. THT is used to solder the pcb connector.

## Notes

## Safety Information

The **picoMAX® Pluggable Connection System** includes connectors without breaking capacity in accordance with DIN EN 61984. When used as intended, these connectors must not be connected/disconnected when live or under load. When used as intended, these connectors must not be connected/disconnected when live or under load. The circuit design should ensure header pins, which can be touched, are not live when unmated.

## Variants:

Direct marking  
Other versions (or variants) can be requested from WAGO Sales or configured at <https://configurator.wago.com/>.

## Electrical data

| Ratings per                     | IEC/EN 60664-1 |       |       | Approvals per | UL 1059   |   |       |
|---------------------------------|----------------|-------|-------|---------------|-----------|---|-------|
|                                 | III            | III   | II    |               | Use group | B | C     |
| Overvoltage category            | III            | III   | II    | Use group     | B         | C | D     |
| Pollution degree                | 3              | 2     | 2     | Rated voltage | 300 V     | - | 300 V |
| Nominal voltage                 | 250 V          | 320 V | 630 V | Rated current | 15 A      | - | 10 A  |
| Rated impulse withstand voltage | 4 kV           | 4 kV  | 4 kV  |               |           |   |       |
| Rated current                   | 16 A           | 16 A  | 16 A  |               |           |   |       |

## Connection Data

|                            |   |                     |   |
|----------------------------|---|---------------------|---|
| Total number of potentials | 4 | <b>Connection 1</b> |   |
| Number of connection types | 1 |                     |   |
| Number of levels           | 1 |                     |   |
|                            |   | Pole number         | 4 |

## Physical data

|                         |                          |
|-------------------------|--------------------------|
| Pin spacing             | 5 mm / 0.197 inches      |
| Width                   | 34.2 mm / 1.346 inches   |
| Height                  | 18 mm / 0.709 inches     |
| Height from the surface | 14.4 mm / 0.567 inches   |
| Depth                   | 19.5 mm / 0.768 inches   |
| Solder pin length       | 3.6 mm                   |
| Solder pin diameter     | 1.4 mm                   |
| Drilled hole diameter   | 1.6 <sup>(+0.1)</sup> mm |

## Mechanical data

|                                         |                                         |
|-----------------------------------------|-----------------------------------------|
| Variable coding                         | Yes                                     |
| Mounting type                           | Mounting flange                         |
| Mounting type                           | Feed-through mounting<br>Panel mounting |
| Anti-rotation protection                | Yes                                     |
| Suitable for through-panel applications | Yes                                     |

## Plug-in connection

|                                      |                     |
|--------------------------------------|---------------------|
| Contact type (pluggable connector)   | Male connector/plug |
| Connector (connection type)          | for PCB             |
| Mismating protection                 | No                  |
| Plugging without loss of pin spacing | Yes                 |
| Mating direction to the PCB          | 0°                  |
| Locking of plug-in connection        | Locking latch       |

### PCB contact

|             |     |
|-------------|-----|
| PCB contact | THT |
|-------------|-----|

### Material data

|                                    |                                                                          |
|------------------------------------|--------------------------------------------------------------------------|
| Note (material data)               | <a href="#">Information on material specifications can be found here</a> |
| Color                              | light gray                                                               |
| Material group                     | I                                                                        |
| Insulation material (main housing) | Polyphthalamide (PPA GF)                                                 |
| Flammability class per UL94        | V0                                                                       |
| Contact material                   | Electrolytic copper (E <sub>Cu</sub> )                                   |
| Contact Plating                    | Tin                                                                      |
| Fire load                          | 0.031 MJ                                                                 |
| Weight                             | 3.1 g                                                                    |

### Environmental requirements

|                         |                 |
|-------------------------|-----------------|
| Limit temperature range | -60 ... +100 °C |
| Processing temperature  | -35 ... +60 °C  |

### Commercial data

|                       |                         |
|-----------------------|-------------------------|
| Product Group         | 26 (picoMAX Connectors) |
| PU (SPU)              | 200 pcs                 |
| Packaging type        | Box                     |
| Country of origin     | DE                      |
| GTIN                  | 4066966819397           |
| Customs tariff number | 85366930000             |

### Product Classification

|             |                      |
|-------------|----------------------|
| UNSPSC      | 39121409             |
| eCl@ss 10.0 | 27-44-04-02          |
| eCl@ss 9.0  | 27-44-04-02          |
| ETIM 9.0    | EC002637             |
| ETIM 10.0   | EC002637             |
| ECCN        | NO US CLASSIFICATION |

### Environmental Product Compliance

|                        |                         |
|------------------------|-------------------------|
| RoHS Compliance Status | Compliant, No Exemption |
|------------------------|-------------------------|

### Approvals / Certificates

#### General approvals



| Approval                                | Standard      | Certificate Name |
|-----------------------------------------|---------------|------------------|
| CB<br>DEKRA Certification B.V.          | IEC 61984     | NL-89885         |
| CSA<br>CSA Group                        | C22.2         | 2362521          |
| CSA<br>DEKRA Certification B.V.         | C22.2 No. 158 | 2362521          |
| cURus<br>Underwriters Laboratories Inc. | UL 1059       | E45172           |

#### General approvals

|                                       |          |           |
|---------------------------------------|----------|-----------|
| KEMA/KEUR<br>DEKRA Certification B.V. | EN 61984 | 71-129874 |
| UL<br>Underwriters Laboratories Inc.  | UL 1977  | E45171    |

## Downloads

### Environmental Product Compliance

#### Compliance Search

Environmental Product  
Compliance  
2092-1424/005-000



## Documentation

### Additional Information

Technical Section

03.04.2019

pdf

2027.26 KB



## CAD/CAE-Data

### CAD data

2D/3D Models  
2092-1424/005-000



### CAE data

ZUKEN Portal  
2092-1424/005-000



## PCB Design

Symbol and Footprint  
via SamacSys  
2092-1424/005-000



Symbol and Footprint  
via Ultra Librarian  
2092-1424/005-000



## 1 Compatible Products

### 1.1 System counterpart

#### 1.1.1 Female connector/socket



##### Item No.: 2092-1124

1-conductor female connector; push-but-  
ton; Push-in CAGE CLAMP®; 2.5 mm<sup>2</sup>; Pin  
spacing 5 mm; 4-pole; 2,50 mm<sup>2</sup>; light gray

### 1.2 Optional Accessories

#### 1.2.1 Coding

##### 1.2.1.1 Coding



##### Item No.: 2092-1610

Coding key carrier; orange

## Installation Notes

### Coding



Coding a male header (via coding key carrier and two keys for male header, see symbol).