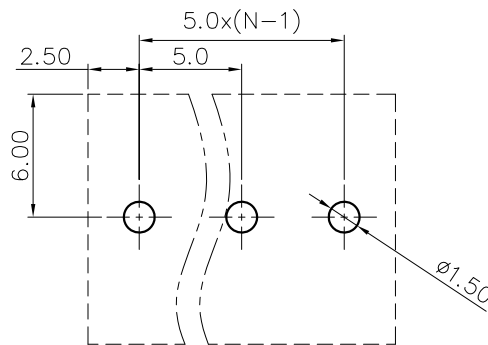
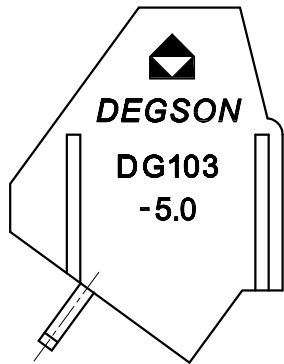
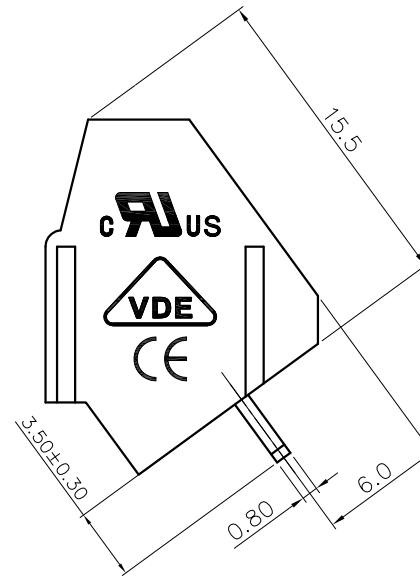
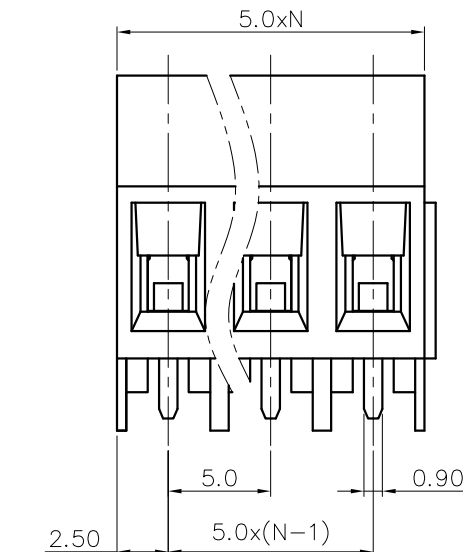
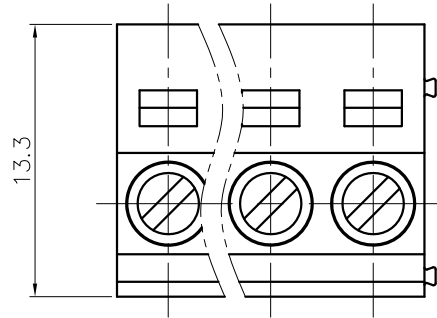


REVISION RECORD				
REV	ECN	DESCRIPTION	DRFT	DATE



PCB LAYOUT

NOTES1:

UL Standard

1. Rated Voltage/Current : 300V / 20A
2. Torque Value : M2.5 , 3.54Lb.in
3. Wire Range : 24~12AWG

IEC Standard

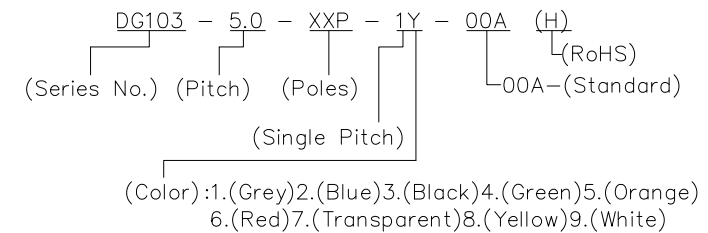
1. Rated Voltage/Current : 250V / 24A
2. Torque Value : M2.5 , 0.4N.m
3. Wire Range : 2.5mm²

NOTES2:

1. Dimension shall be interpreted per ASME Y14.5-2009
2. Pitch : 5.0mm, Poles : N=02~24P
3. Stripping length : 5~6mm
4. Withstanding Voltage : AC2000V/1Min.
5. Operating temperature: -40°C~+105°C
6. Undimensioned Tolerances:

Pitch range in mm		Nominal dimension range in mm					Tolerances	
To	Over	To	Over	To	Over	0.1/10	0.1/10	
6	10	6	10	30	60	100	150	<
±0.15	±0.20	±0.30	±0.30	±0.50	±0.70	±1.00	±1.30	±2'

7. RoHS Compliance



DETACHED LISTS	PART NO.:	/			
	APPD:	/			
	CHKD:	/			
	DRFT:	/			
	 THIRD ANGLE PROJECTION		宁波高松电子有限公司 NINGBO DEGSON ELECTRICAL CO., LTD		
			NAME: DG103-5.0-XXP-1Y-00A(H)		
			TITLE: CUSTOMER DRAWING		REV: /
			DRAWING NO.: /		DO: /
			MM (INCH)		SHEET: 1/1
			DO NOT SCALE DRAWING		SCALE: 1:1