

# Panel feed-through - SACC-DSI-FS-8CON-L180/12 SCOSH



1408771

<https://www.phoenixcontact.com/us/products/1408771>

Please be informed that the data shown in this PDF document is generated from our Online Catalog. Please find the complete data in the user documentation. Our General Terms of Use for Downloads are valid.

---



Sensor/actuator flush-type socket, 8-pos., M12-SPEEDCON, shielded, rear/screw mounting with Pg9 thread, with straight solder connection

---

## Your advantages

- Easy PCB assembly: one-piece connectors for wave soldering
- All standard pin assignments and codings for signal, data, and power transmission with a uniform design-in design
- SPEEDCON fast locking system reduces cabling times
- For high transmission reliability: optional shield connection to the housing by means of shield contact

# Panel feed-through - SACC-DSI-FS-8CON-L180/12 SCOSH



1408771

<https://www.phoenixcontact.com/us/products/1408771>

## Commercial Data

Item number	1408771
Packing unit	1 pc
Minimum order quantity	20 pc
Sales Key	A11
Product Key	ABQCAB
Catalog Page	Page 247 (C-2-2013)
GTIN	4046356856331
Weight per Piece (including packing)	13.89 g
Weight per Piece (excluding packing)	13 g
Customs tariff number	85366990
Country of origin	DE

# Panel feed-through - SACC-DSI-FS-8CON-L180/12 SCOSH



1408771

<https://www.phoenixcontact.com/us/products/1408771>

## Technical Data

### Notes

Notes on operation	The electrical and mechanical data specified assume that the connector pair is correctly locked and mounted. If the connector is unlocked and if there is a danger of contamination, the connector must be sealed using a protective cap > IP54. Influences arising from litz wires, cables or PCB assembly must also be taken into consideration.
--------------------	--

### Product properties

Product type	Circular connectors (device side)
Number of positions	8
Shielded	no
Coding	A - standard

### Insulation characteristics

Overvoltage category	III
Degree of pollution	3

### Ambient conditions

Degree of protection	IP67 (When plugged in)
	IP65 (When plugged in)
Degree of protection	IP65/IP67
Ambient temperature (operation)	-25 °C ... 85 °C (Plug / socket)
	-40 °C ... 85 °C (without mechanical actuation)
	-25 °C ... 85 °C (Cable, flexible installation)
	-40 °C ... 85 °C (cable, fixed installation)

### Dimensions

Dimensional drawing	
Length of the solder pin	12 mm
	12 mm

### Connector

Insertion/withdrawal cycles	> 100
-----------------------------	-------

### Header 1

Head design	Socket
Head cable outlet	straight
Head thread type	M12
Head locking type	SPEEDCON

# Panel feed-through - SACC-DSI-FS-8CON-L180/12 SCOSH



1408771

<https://www.phoenixcontact.com/us/products/1408771>

Coding	A-coded
--------	---------

## Electrical properties

Rated surge voltage	0.8 kV
Contact resistance	≤ 3 mΩ
Insulation resistance	≥ 100 MΩ
Nominal voltage U <sub>N</sub>	30 V
Nominal current I <sub>N</sub>	2 A
Test voltage	0.8 kV

## Material specifications

Flammability rating according to UL 94	V0
Sealing material	FKM
Contact material	CuZn
Contact surface material	Au
Contact carrier material	PA 6.6
Cable gland material	Zinc die-cast, nickel-plated

## Connection data

### Conductor connection

Connection method	Solder pins
-------------------	-------------

## Mounting

Mounting type	Rear mounting Pg9 With flat nut
Assembly instructions	With flat nut

## Standards and regulations

### M12

Standards/specifications	IEC 61076-2-101
--------------------------	-----------------

## Cable / line

### Ambient conditions

Ambient temperature (operation)	-25 °C ... 85 °C (Cable, flexible installation)
	-40 °C ... 85 °C (cable, fixed installation)

# Panel feed-through - SACC-DSI-FS-8CON-L180/12 SCOSH

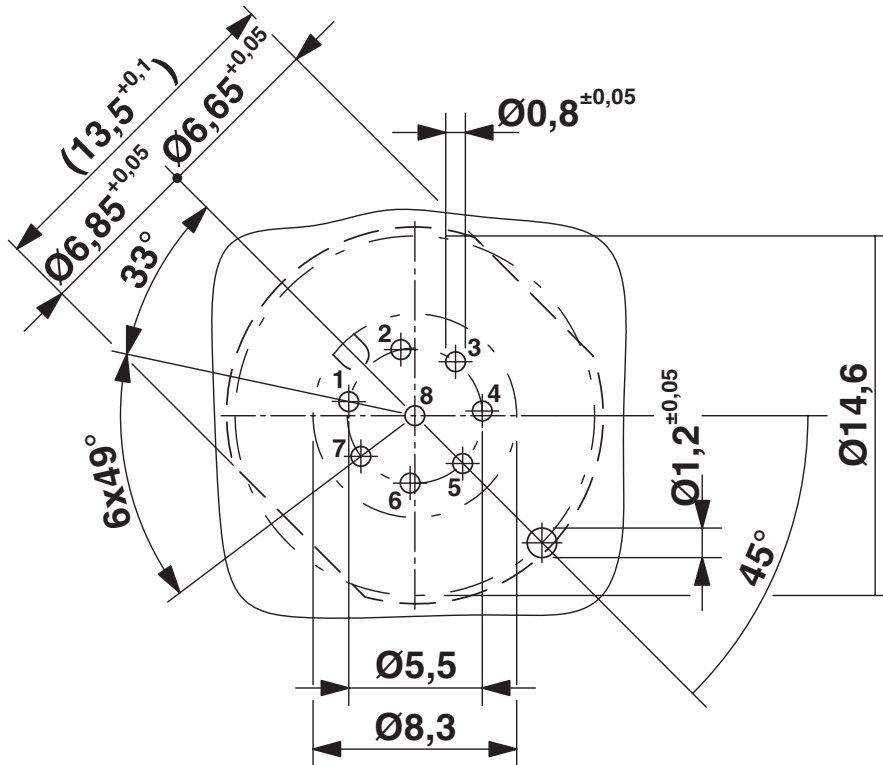


1408771

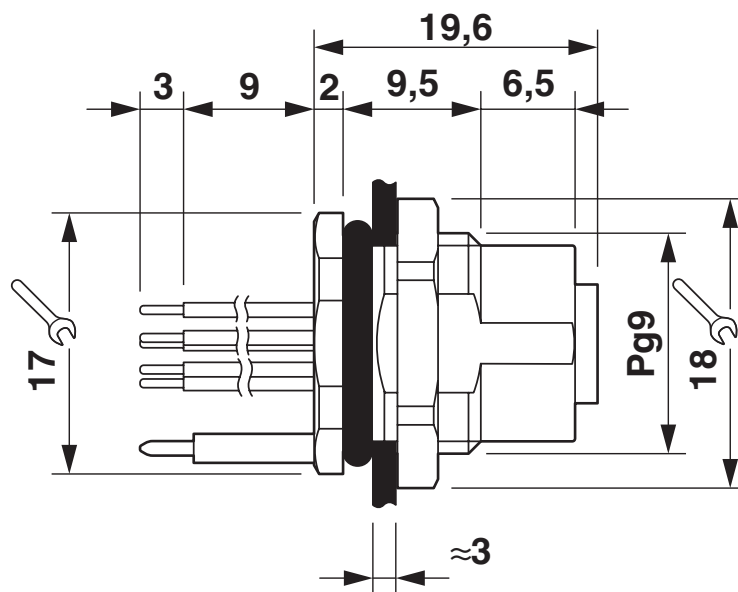
<https://www.phoenixcontact.com/us/products/1408771>

## Drawings

Drilling plan/solder pad geometry



Dimensional drawing



M12 flush-type connector

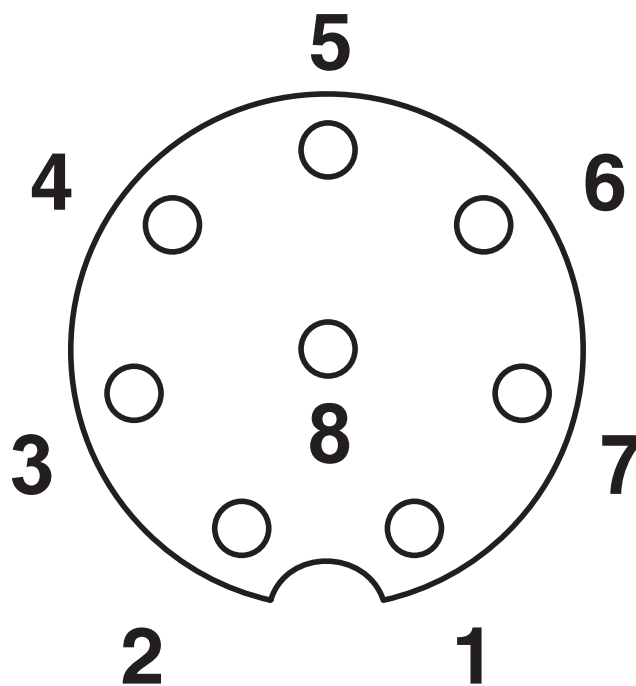
# Panel feed-through - SACC-DSI-FS-8CON-L180/12 SCOSH



1408771

<https://www.phoenixcontact.com/us/products/1408771>

Schematic diagram



Pin assignment M12 socket, 8-pos., A-coded, view female side

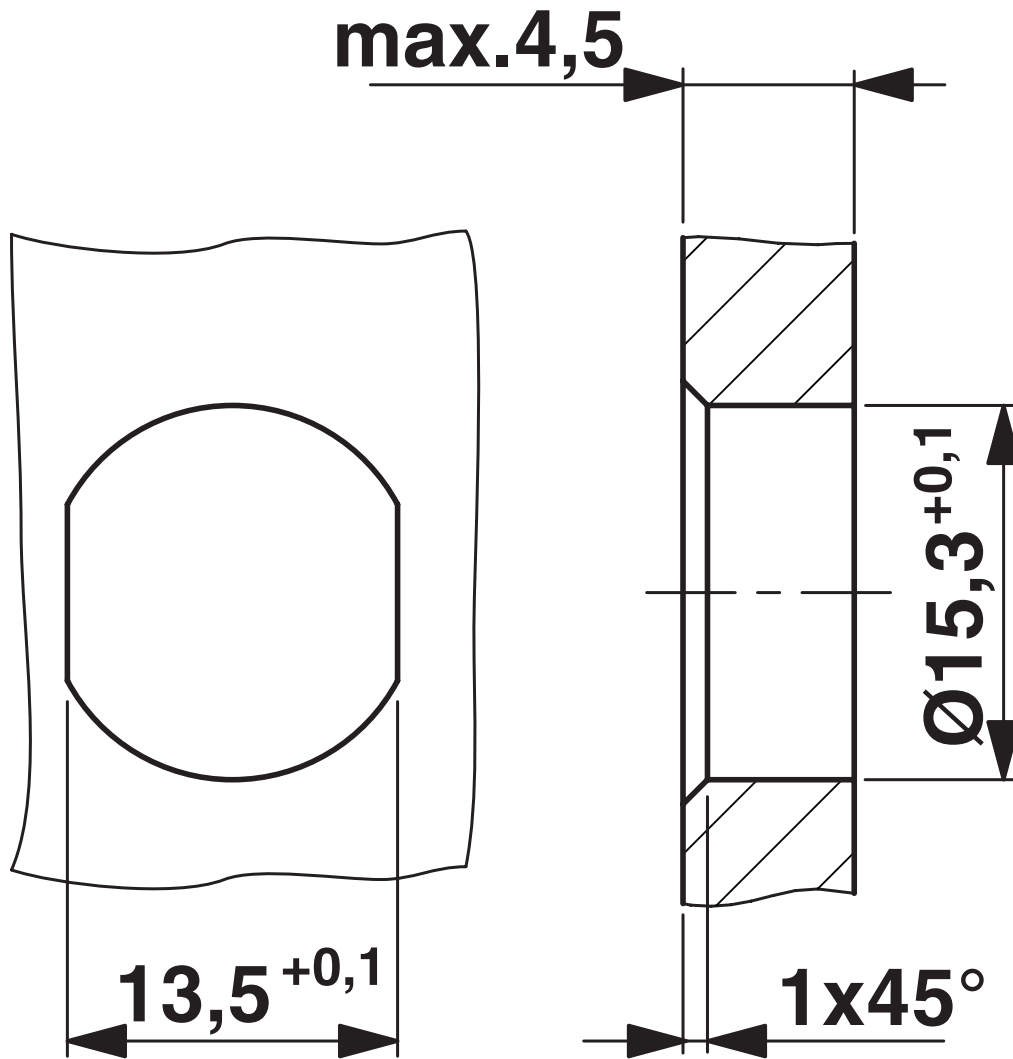
# Panel feed-through - SACC-DSI-FS-8CON-L180/12 SCOSH



1408771

<https://www.phoenixcontact.com/us/products/1408771>

Dimensional drawing



Housing cutout for Pg9 fastening thread, mounting panel with feed-through hole (alternatively with area as anti-rotation protection for panel thicknesses > 2 mm up to max. 4.5 mm)

# Panel feed-through - SACC-DSI-FS-8CON-L180/12 SCOSH




1408771

<https://www.phoenixcontact.com/us/products/1408771>

## Approvals

 <b>UL Recognized</b> Approval ID: FILE E 118976				
	Nominal Voltage $U_N$	Nominal Current $I_N$	Cross Section AWG	Cross Section $\text{mm}^2$
	30 V	2 A	- 24	-

 <b>EAC</b> Approval ID: B.01687				
--	--	--	--	--

 <b>cULus Recognized</b> Approval ID: E221474-20140616				
	Nominal Voltage $U_N$	Nominal Current $I_N$	Cross Section AWG	Cross Section $\text{mm}^2$
	30 V	2 A	24 - 22	-



# Panel feed-through - SACC-DSI-FS-8CON-L180/12 SCOSH



1408771

<https://www.phoenixcontact.com/us/products/1408771>

## Classifications

### ECLASS

ECLASS-9.0	27440102
ECLASS-10.0.1	27440102
ECLASS-11.0	27440102

### ETIM

ETIM 8.0	EC002635
----------	----------

### UNSPSC

UNSPSC 21.0	39121400
-------------	----------

# Panel feed-through - SACC-DSI-FS-8CON-L180/12 SCOSH



1408771

<https://www.phoenixcontact.com/us/products/1408771>

## Environmental Product Compliance

REACH SVHC	Lead 7439-92-1
China RoHS	Environmentally Friendly Use Period = 50 years
	For information on hazardous substances, refer to the manufacturer's declaration available under "Downloads"

# Panel feed-through - SACC-DSI-FS-8CON-L180/12 SCOSH



1408771

<https://www.phoenixcontact.com/us/products/1408771>

## Accessories

### Flat gasket

Flat gasket - SACC-PG9-SEAL CLM - 1556320

<https://www.phoenixcontact.com/us/products/1556320>

Pg9 flat gasket, for M12 flush-type connectors with Pg9 fastening thread



---

### Screw plug

Screw plug - PROT-M12 - 1680539

<https://www.phoenixcontact.com/us/products/1680539>

An M12 screw plug for the unoccupied M12 sockets of the sensor/actuator cable, boxes and flush-type connectors



# Panel feed-through - SACC-DSI-FS-8CON-L180/12 SCOSH



1408771

<https://www.phoenixcontact.com/us/products/1408771>

## Screw plug

Screw plug - PROT-M12 SH - 1503302

<https://www.phoenixcontact.com/us/products/1503302>



An M12 screw plug for the unoccupied M12 sockets of the shielded sensor/actuator cable, boxes and flush-type connectors

---

## Screw plug

Screw plug - PROT-M12 FB - 1555538

<https://www.phoenixcontact.com/us/products/1555538>



M12 high-grade steel screw plug, for unoccupied M12 sockets of the sensor/actuator cables, boxes and flush-type connectors for the food industry

---

Phoenix Contact 2022 © - all rights reserved  
<https://www.phoenixcontact.com>

Phoenix Contact USA  
586 Fulling Mill Road  
Middletown, PA 17057, United States  
(+717) 944-1300  
[info@phoenixcon.com](mailto:info@phoenixcon.com)