



preci-dip

Search by product code:

GO

SPRING-LOADED CONNECTORS

PCB CONNECTORS

DIL / SIL / TO SOCKETS

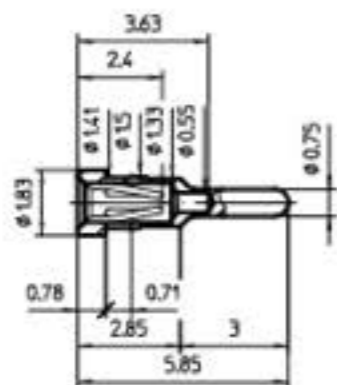
PGA / BGA / PLCC SOCKETS

SCREW-MACHINED CONTACTS

CUSTOM DESIGN

YOUR SELECTED PRODUCT

For other versions than the listed available standard types, please contact PRECI-DIP



SPECIFICATIONS:

Socket contact with solder tail

- Press-in mount into dia 1.45 mm hole
- Materials: body brass, contact clip BeCu
- Electrical contact resistance max. 15 milliohms
- Mechanical life min. 500 cycles

AVAILABLE STANDARD TYPES

Ordering Part Number	Plating Body	Plating Clip	Insertion	Extraction	Dia. Gauge	Max Current
01501-83-3010	RoHS 5µm Sn	0.75µm Au	2.00 N	1.00 N	0.43 mm	3.0 A

<< Back

PRINT SITEMAP HOME

copyright © PRECI-DIP 2007

Powered by Ivimédia

- Home
- About Us
- Products
- Technical Assistance
- Distributors & Reps
- Distributors Login
- Contact Us
- Job Opportunities
- Newsletters

NEWS

[June 2011] 49th Paris Air Show

More >>

swiss world connects