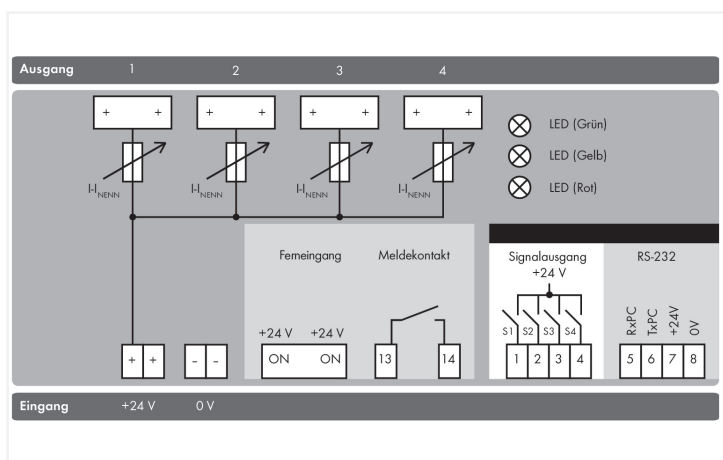
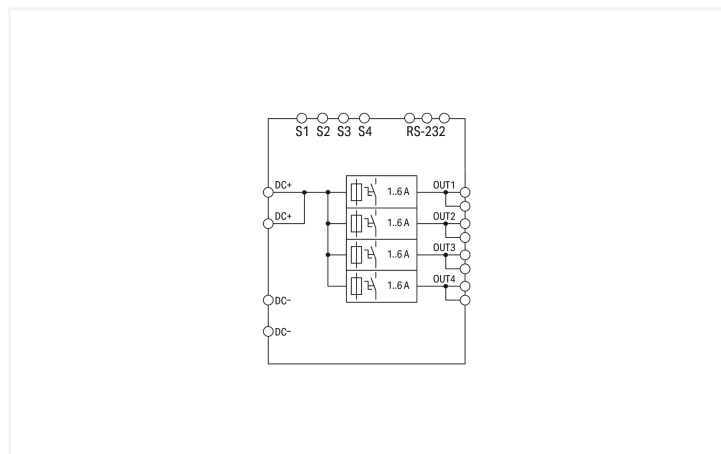


Data Sheet | Item Number: 787-860

Electronic circuit breaker; 4-channel; 24 VDC input voltage; adjustable 1 ... 6 A; communication capability; 10,00 mm²

<https://www.wago.com/787-860>



Features:

- ECB with four channels (parametrizable)
- Time-delayed switching of channels
- Isolated signal contact
- Current and voltage monitoring via RS-232 interface and LCD
- Four active signal outputs for function monitoring

Technical data

Input		Output	
Nominal input voltage $U_{i\text{nom}}$	24 VDC	Total number of channels (module)	4
Input voltage range	18 ... 30 VDC	Nominal output voltage $U_{o\text{nom}}$	4 x 24 VDC
		Output voltage range	18 ... 30 VDC (U_e - voltage drop)
		Voltage drop	≤ 140 mV (6 A) (Input (+))
		Nominal output current $I_{o\text{nom}}$	4 x 1 / 2 / 3 / 4 / 5 / 6 A (adjustable for each channel)
		Trip time	100 ms ... 600 s (Load-dependent; adjustable; preset: 100 s)
		Switch-on capacity	
		Switch-on behavior	Time-delayed channel switching (250 ms each)

Output

Active current limitation	No
Current limitation	No

Signaling and Communication

Signaling	1 x DC OK LED (green) 1 x Warning LED (yellow) 1 x Error LED (red) LCD 1 x Remote control input 4 x Signal output (24 VDC; max. 25 mA) 1 x Isolated relay contact (max. 30 VDC; 1 A) 1 x RS-232 interface
Operation status indicator	Green LED (all channels OK) Yellow LED (warning) Red LED (at least one channel has tripped)
Communications	RS-232 serial interface
Remote input	Reactivation of all tripped channels via 18 ... 30 VDC pulse for min. 50 ms

Efficiency/Power Losses

Power loss P_I	$\leq 2 \text{ W}; \leq 5.5 \text{ W}$ (nominal load)
Efficiency (typ.)	96 %

Circuit Protection

Internal fuse	T 15 A
---------------	--------

Safety and protection

Isolation voltage (connectors – housing)	0.5 kVDC
Protection class	III
Protection type	IP20; per EN 60529
Reverse voltage protection	No
Resistance to reverse feed	$\leq 33 \text{ VDC}$
Pollution degree	2
Transient suppression (primary)	Suppressor diode
Parallel operation of single channels	Not permitted
Series operation	No
MTBF	> 500,000 h (per IEC 61709)

Connection Data

Connection 1

Connection type	Input (+)
Connection technology	Push-in CAGE CLAMP®
WAGO connector	WAGO 831 Series
Solid conductor	0.5 ... 10 mm ² / 20 ... 8 AWG
Fine-stranded conductor	0.5 ... 10 mm ² / 20 ... 8 AWG
Strip length	13 ... 15 mm / 0.51 ... 0.59 inches

Connection 2

Connection type	Input (-); output; signaling
Connection technology	CAGE CLAMP®
WAGO connector	WAGO 231 Series
Solid conductor	0.08 ... 2.5 mm ² / 28 ... 12 AWG
Fine-stranded conductor	0.08 ... 2.5 mm ² / 28 ... 12 AWG
Strip length	8 ... 9 mm / 0.31 ... 0.35 inches

Physical data

Width	40 mm / 1.575 inches
Height	171 mm / 6.732 inches
Depth from upper-edge of DIN-rail	163 mm / 6.417 inches
Note (dimensions)	Height with connector

Mechanical data

Mounting type	DIN-35 rail
---------------	-------------

Material data

Weight	800 g
--------	-------

Environmental requirements

Ambient temperature (operation)	-10 ... +60 °C
Ambient temperature (storage)	-25 ... +85 °C
Relative humidity	5 ... 96 % (no condensation permissible)

Standards and Specifications

Conformity marking	CE
Standards/specifications	EN 60950 UL 508 EN 61000-6-2 EN 61000-6-3

Commercial data

Product Group	6 (INTERFACE ELECTRONIC)
PU (SPU)	1 pcs
Packaging type	Box
Country of origin	DE
Customs tariff number	85362010900

Product Classification

UNSPSC	39121601
eCl@ss 10.0	27-37-18-02
eCl@ss 9.0	27-37-18-02
ETIM 9.0	EC001440
ETIM 10.0	EC001440
ECCN	NO US CLASSIFICATION

Environmental Product Compliance

RoHS Compliance Status	Compliant, No Exemption
------------------------	-------------------------

Approvals / Certificates

General approvals



Approval	Standard	Certificate Name
EAC GZO Almaty Standart	TP TC 020/2011	EAC CoC 03081
UL Underwriters Laboratories Inc.	UL 508	E255817
UR Underwriters Laboratories Inc.	UL 60950-1	E255815

Declarations of conformity and manufacturer's declarations

Approval	Standard	Certificate Name
EU-Declaration of Conformity WAGO GmbH & Co. KG	-	-

Downloads

Environmental Product Compliance

Compliance Search			
Environmental Product Compliance 787-860			↓

Documentation

Bid Text			
787-860	03.07.2019	xml 7.15 KB	↓
787-860	03.07.2019	docx 18.57 KB	↓

Instruction Leaflet		
EPSITRON Electronic Circuit Breaker	pdf 429.11 KB	↓

CAD/CAE-Data

CAD data	
2D/3D Models 787-860	↓

CAE data	
EPLAN Data Portal 787-860	↓
WSCAD Universe 787-860	↓
ZUKEN Portal 787-860	↓

Engineering-Software

Software for Interface-Products			
WAGO Software 759-860	1.2.6 16.02.2012	zip 509.30 KB	↓

Libraries

Library			
Anbindung Stromversorgungen Serie 787	1.3.0 14.05.2014	zip 549.48 KB	↓

1 Compatible Products

1.1 Optional Accessories

1.1.1 Cables and connectors

1.1.1.1 Communication cable



Item No.: 787-890

RS-232 communication cable; Length 1.8 m

1.1.1.2 Connecting cable



Item No.: 761-9005

USB adapter; with 1m connection cable

1.1.2 Marking

1.1.2.1 Marker



Item No.: 2009-145

Mini-WSB Inline; for Smart Printer; 1700 pieces on roll; stretchable 5 - 5.2 mm; plain; snap-on type; white



Item No.: 248-501

Mini-WSB marking card; as card; not stretchable; plain; snap-on type; white



Item No.: 793-5501

WMB marking card; as card; for terminal block width 5 - 17.5 mm; stretchable 5 - 5.2 mm; plain; snap-on type; white



Item No.: 793-501

WMB marking card; as card; not stretchable; plain; snap-on type; white



Item No.: 2009-115

WMB-Inline; for Smart Printer; 1500 pieces on roll; stretchable 5 - 5.2 mm; plain; snap-on type; white

1.1.2.2 Marking strip



Item No.: 2009-110

Marking strips; for Smart Printer; on reel; not stretchable; plain; snap-on type; white



Item No.: 210-831

Marking strips; on reel; 2.3 mm wide; plain; Self-adhesive; white



Item No.: 210-832

Marking strips; on reel; 3 mm wide; plain; Self-adhesive; white

1.1.3 Mounting adapter

1.1.3.1 DIN-rail adapter



Item No.: 787-897

Carrier rail adapter made of zinc die-cast; for mounting 787-8xx devices to a DIN 35 rail; gray



Item No.: 787-896

Carrier rail adapter; for mounting 787-8xx devices to a DIN 35 rail; gray

1.1.3.2 Wall-mount adapter



Item No.: 787-895

Mounting carrier; for screw fixing of 787-8xx devices on mounting plate or wall without DIN 35 rail; gray

1.1.4 Tool

1.1.4.1 Operating tool



Item No.: 210-720

Operating tool; Blade: 3.5 x 0.5 mm; with a partially insulated shaft; multicoloured



Item No.: 210-721

Operating tool; Blade: 5.5 x 0.8 mm; with a partially insulated shaft; multicoloured