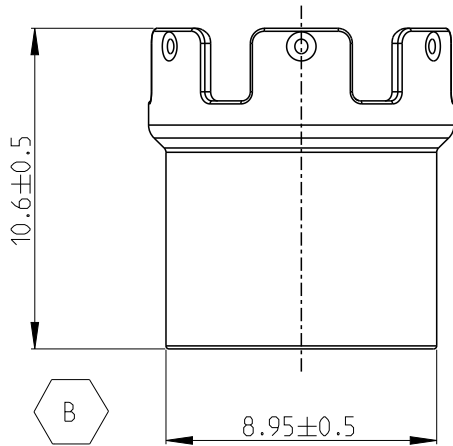
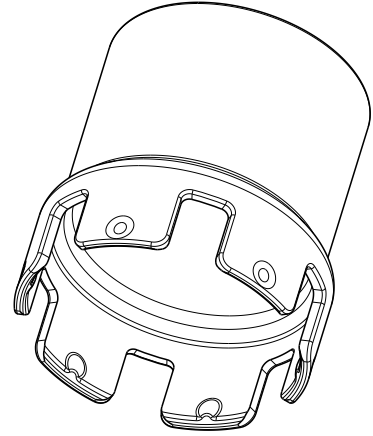
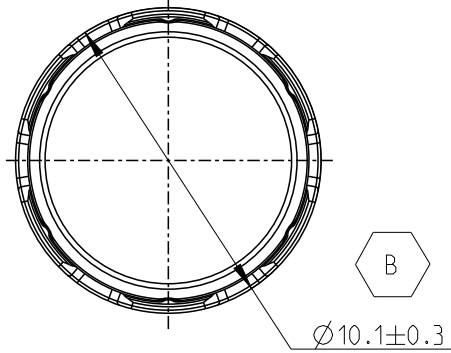


REVISIONS					
P	LTR	DESCRIPTION	DATE	DWN	APVD
	A	INITIAL RELEASE	15MAY21	Z.C	I.Y
	B	REVISION (PCN-24-224062)	16DEC24	S.W	Z.Z



- 1 MATERIAL: COPPER ALLOY
- 2 FINISH: UNDERPLATE: DUCTILE NICKEL, TOP PLATE: SILVER
- 3. PARTS MUST FREE OF BURRS, CRACKS, OR OTHER VISUAL IMPERFECTIONS THAT MAY AFFECT FIT FORM OR FUNCTION.

© 2021 TE Connectivity. All Rights Reserved.

2371243-1
PART NO.

DIMENSIONS: mm		DWN Z.CHEN 29APR2021	MATERIAL	FINISH	
TOLERANCES UNLESS OTHERWISE SPECIFIED:		CHK J.LI 30APR2021	1		2
 0 PLC ± 1 PLC ± 2 PLC ± 3 PLC ± 4 PLC ± ANGLES ± 		APVD I.YIN 09MAY2021			
PRODUCT SPEC 108-160170		NAME OUTER FERRULE HD400			
APPLICATION SPEC 114-160093		SIZE A 4	CAGE CODE 00779	DRAWING NO C-2371243	RESTRICTED TO -
WEIGHT -		CUSTOMER DRAWING			
		SCALE 4:1	SHEET 1 OF 1	REV B	