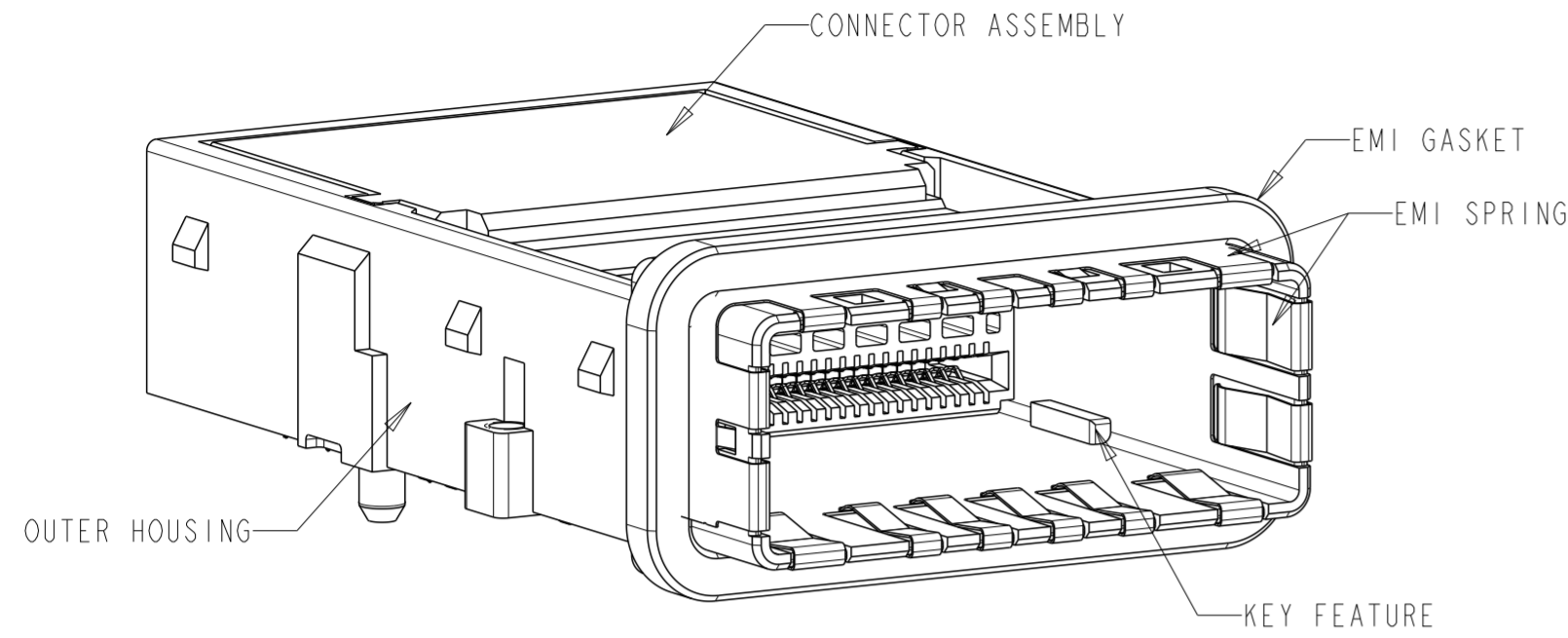


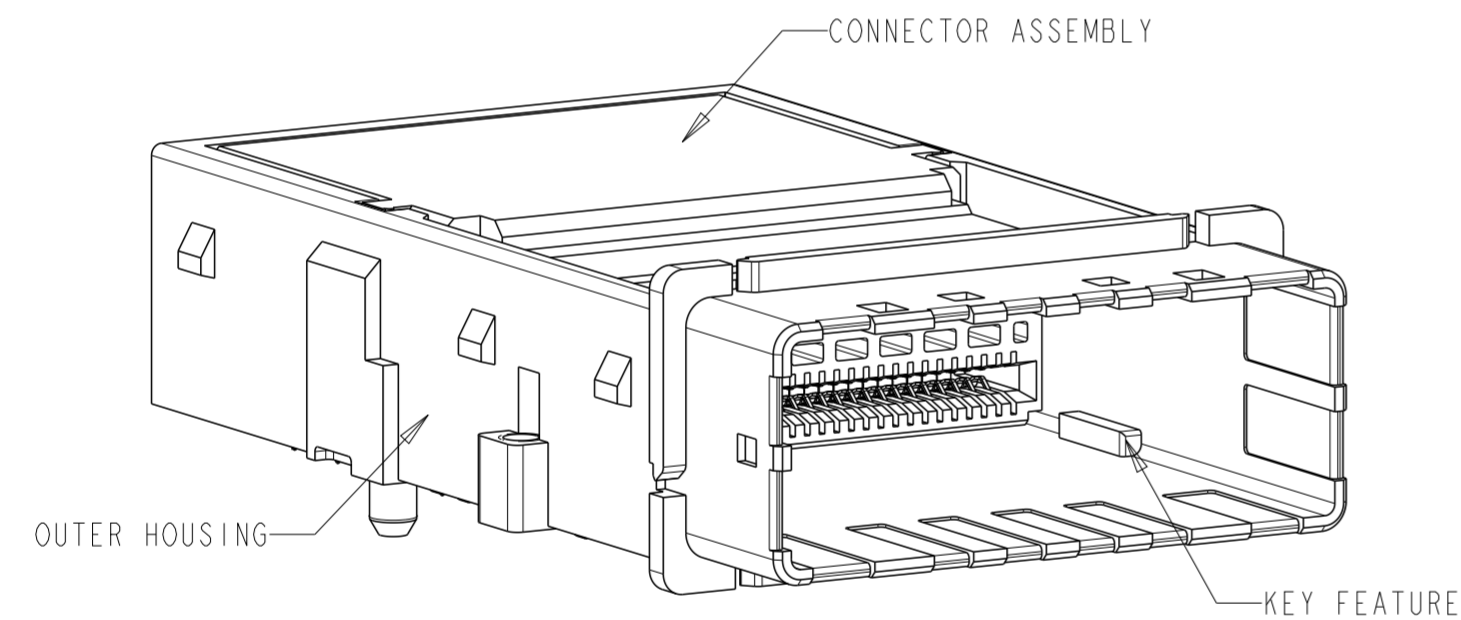
REVISIONS					
P	LTR	DESCRIPTION	DATE	DWN	APVD
A6		REVISED PER ECN-24-296470	04DEC2024	T.W	H.T
A7		REVISED PER ECN-25-303154	17JAN2025	T.W	H.T
A8		REVISED PER ECN-25-255576	02SEP2025	B.M	H.T

- 1 OUTER HOUSING - NICKEL PLATED ZINC ALLOY PER ASTM B 240.
CONNECTOR HOUSINGS - LCP, UL 94V-0 RATED.
CHICKLETS - LCP, UL 94V-0 RATED.
CONTACTS - PHOSPHOR BRONZE.
EMI SPRINGS - COPPER ALLOY.
EMI GASKET - CONDUCTIVE ELASTOMER.
- 2 SEE TABLE FOR PLATING.
- 3. PCB THICKNESS 1.57 MINIMUM.
- 4 FOR HOLE SIZE AND PLATINGS, SEE APPLICATION SPEC 114-160099.
- 5 CROSS HATCHED AREA INDICATES REQUIRED CONDUCTIVE AREA ON SURFACE OF PCB. NO COMPONENTS OR TOP SIDE SURFACE TRACES ALLOWED IN THIS AREA.
- 6. MOUNTING HARDWARE REQUIRED:
3X M2X0.4 - SCREW LENGTH = PCB THICKNESS + (2 TO 4).
- 7. PART NUMBERS WITHOUT EMI GASKET AND/OR EMI SPRING WILL ONLY HAVE INCIDENTAL CONTACT TO THE BEZEL AND MODULE RESPECTIVELY, WHICH MAY IMPACT EMI AND ESD PERFORMANCE.
- 8 THE ENTIRE AREA OF THE CONNECTOR FOOTPRINT, INDICATED BY THE DASHED LINE, TO BE CONSIDERED THE KEEPOUT AREA FOR COMPONENTS AND SIGNAL TRACES, TOP SIDE ONLY, TOP SIDE TRACES ALLOWED WITHIN CONNECTOR HOLE PATTERN
- 9 LASER ETCH DATE CODE AND PART NUMBER
DATE CODE : YYWWDSM = YY:YEAR, WW:WEEK, D:DAY, S:SHIFT(D OR M)
M:MACHINE(A,B,C=ZH, I=GD, P=PH)

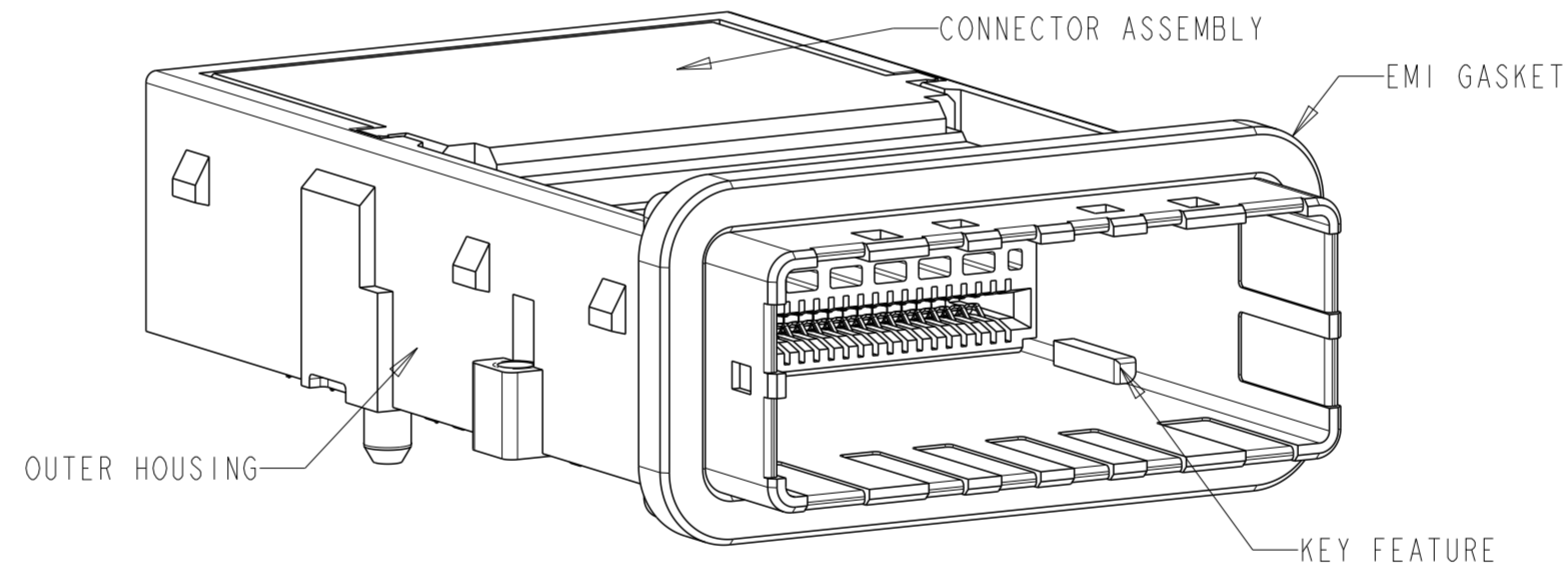
10 ADOPT ESD SPEC TRAY.



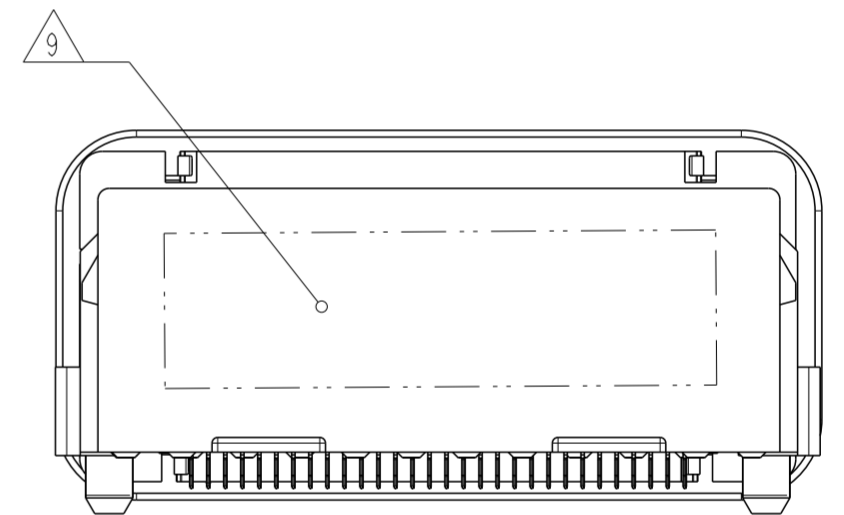
2373624-4, 2373624-8 AND 1-2373624-0 AS SHOWN WITH EMI SPRING AND GASKET
SCALE 3:1



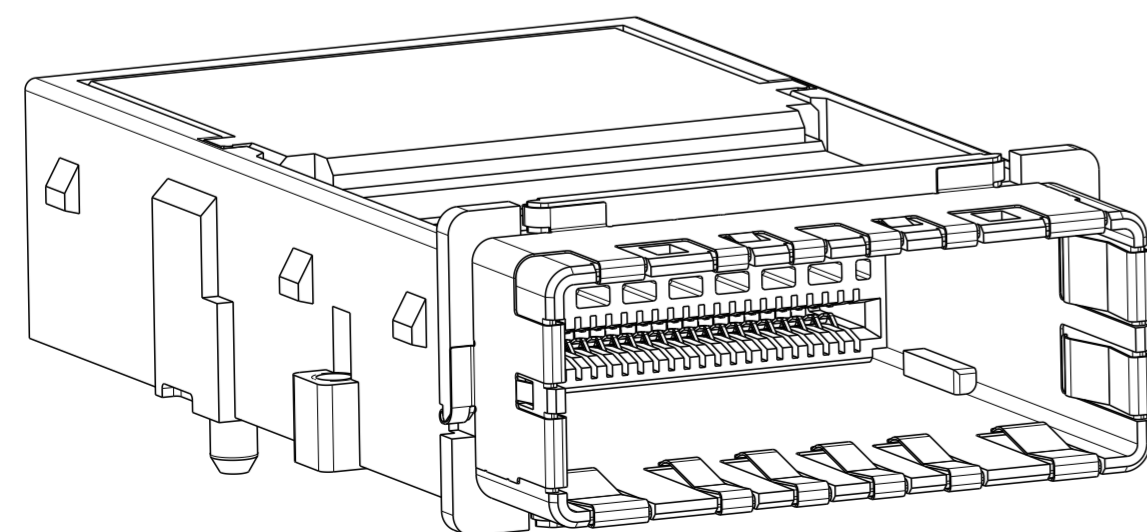
2373624-5 AND 1-2373624-1 AS SHOWN WITHOUT EMI SPRING AND GASKET
SCALE 3:1



2373624-6 AND 1-2373624-2 AS SHOWN WITH EMI GASKET
SCALE 3:1



PART NUMBER AND DATE CODE MARKING POSITION APPLICABLE FOR ALL PART NUMBER
SCALE 3:1



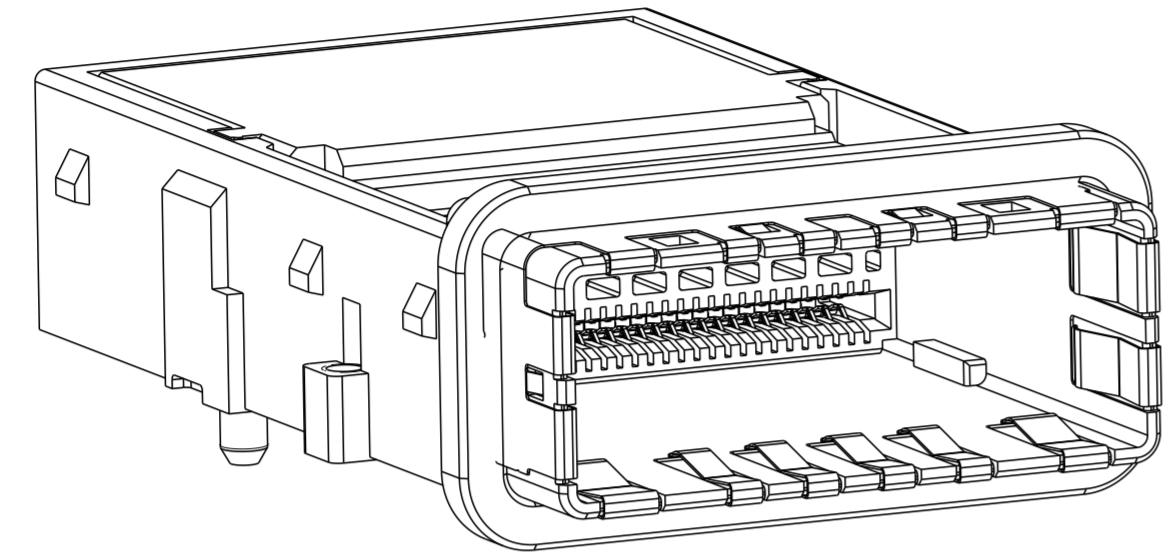
2373624-7 AS SHOWN WITH EMI SPRING
SCALE 3:1

FLASH	STANDARD	NO	YES	PART NUMBER
0.76µm Au	STANDARD	NO	YES	1-2373624-2
		NO	NO	1-2373624-1
		YES	YES	1-2373624-0
		YES	YES	2373624-8 10
		YES	NO	2373624-7
		NO	YES	2373624-6
PLATING	KEYING OPTION	NO	NO	2373624-5
		YES	YES	2373624-4
		EMI SPRING	EMI GASKET	PART NUMBER

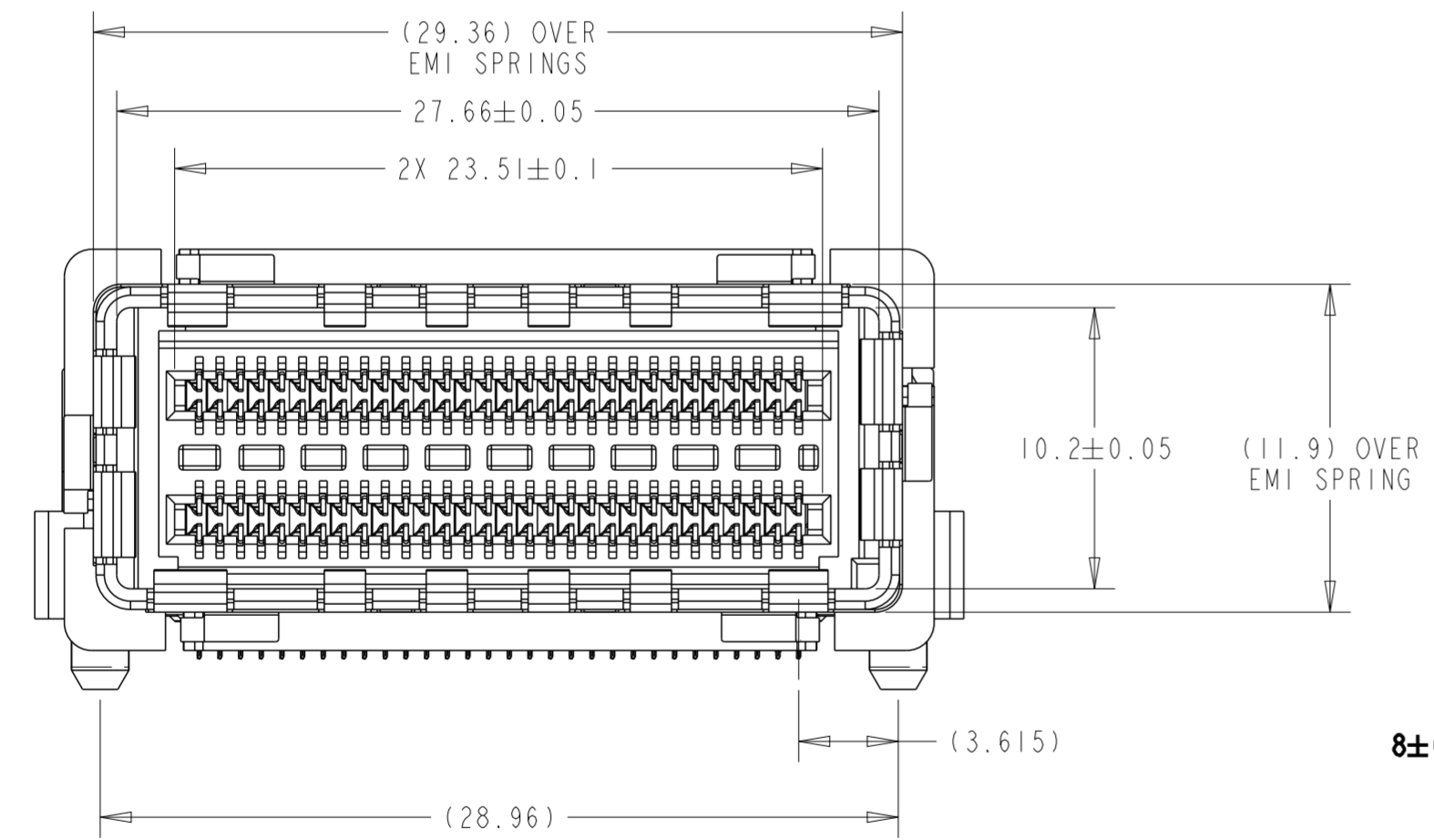
THIS DRAWING IS A CONTROLLED DOCUMENT.

DIMENSIONS: mm	TOLERANCES UNLESS OTHERWISE SPECIFIED: 0 PLC ±0.25 1 PLC ±0.25 2 PLC ±0.20 3 PLC ±0.15 4 PLC ± ANGLES ±	DWN M. SHIRK 11 JUN 2020 CHK J. WESTMAN 11 JUN 2020 APVD J. WESTMAN 11 JUN 2020	TE Connectivity	
MATERIAL	FINISH	PRODUCT SPEC 108-130052 APPLICATION SPEC 114-160099	NAME RECEPTACLE ASSEMBLY, STYLE 1, CDFP PCIe GEN 5	
		WEIGHT	SIZE A2	RESTRICTED TO
		CUSTOMER DRAWING	SCALE 4:1	SHEET 1 OF 7 REV A8

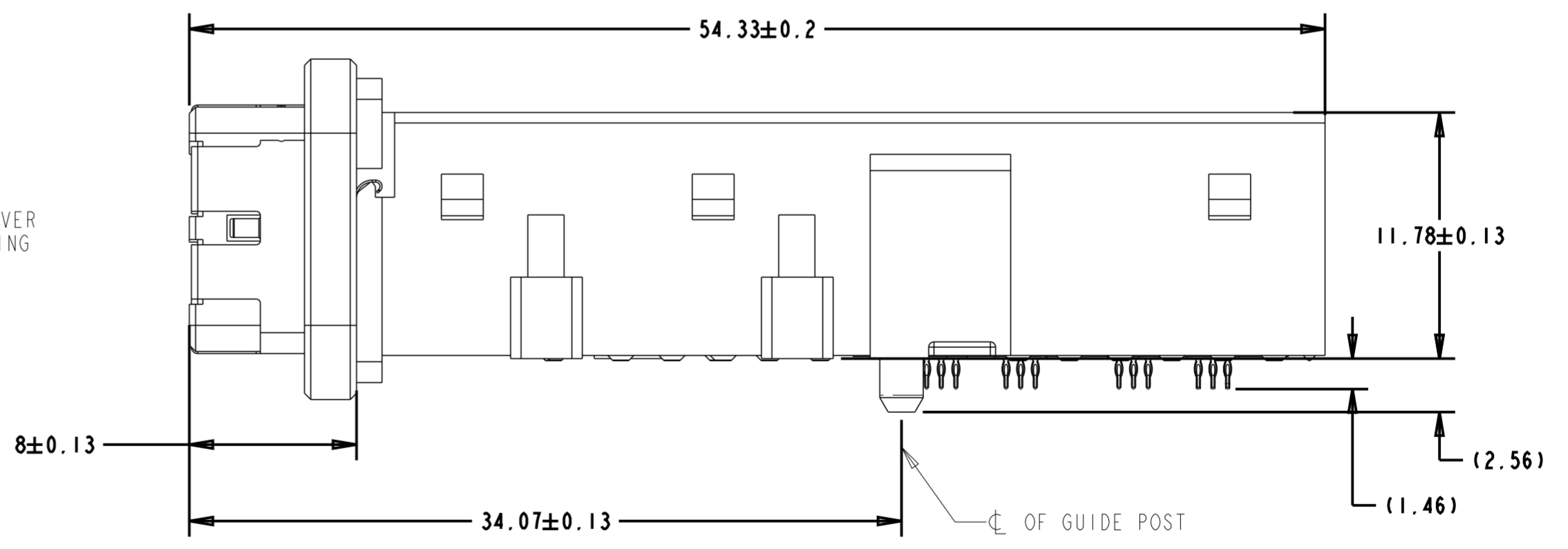
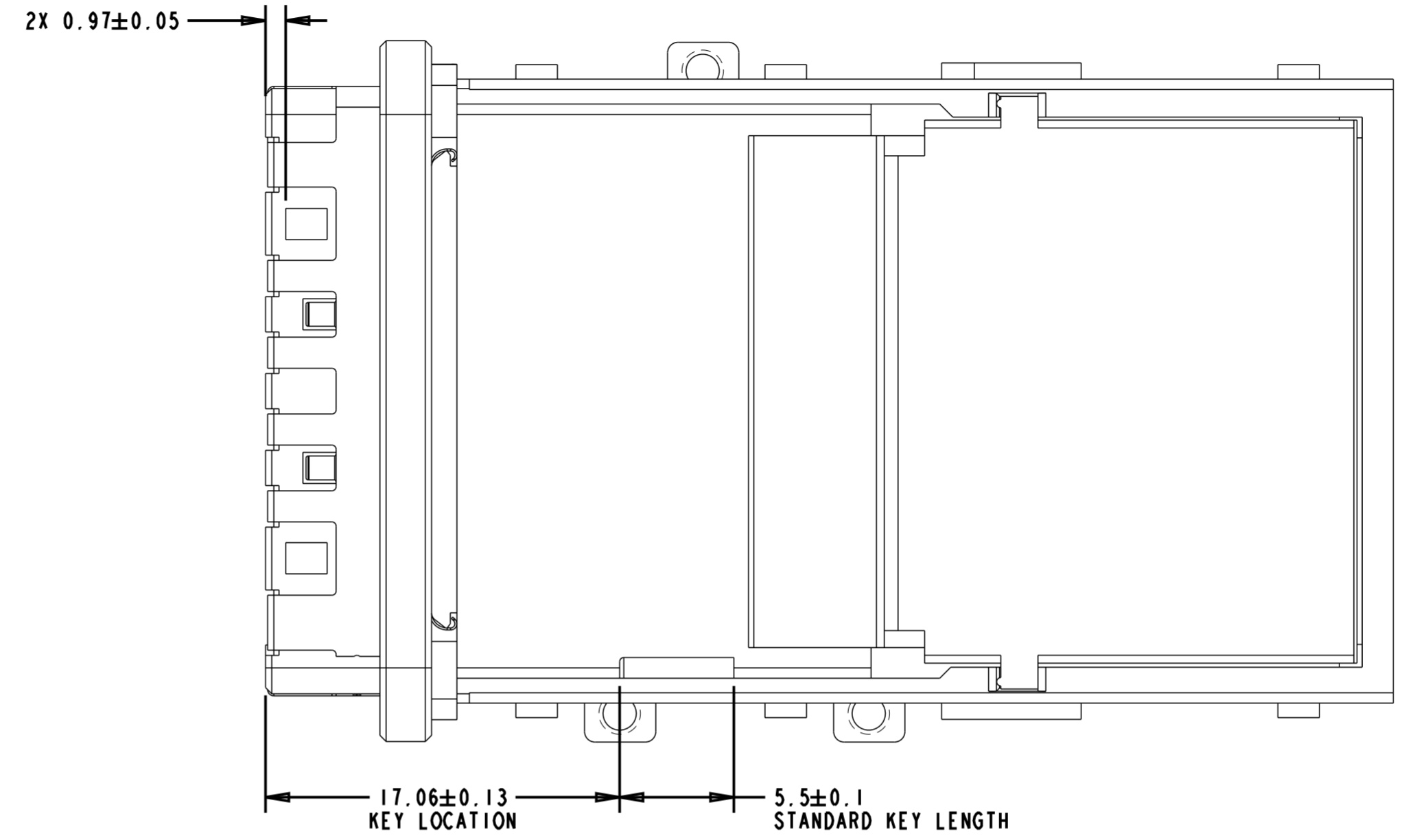
REVISIONS				
P	LTR	DESCRIPTION	DATE	APVD
-	-	SEE SHEET 1	-	-



2373624-4, 2373624-8 AND 1-2373624-0 SHOWN
SCALE 3:1



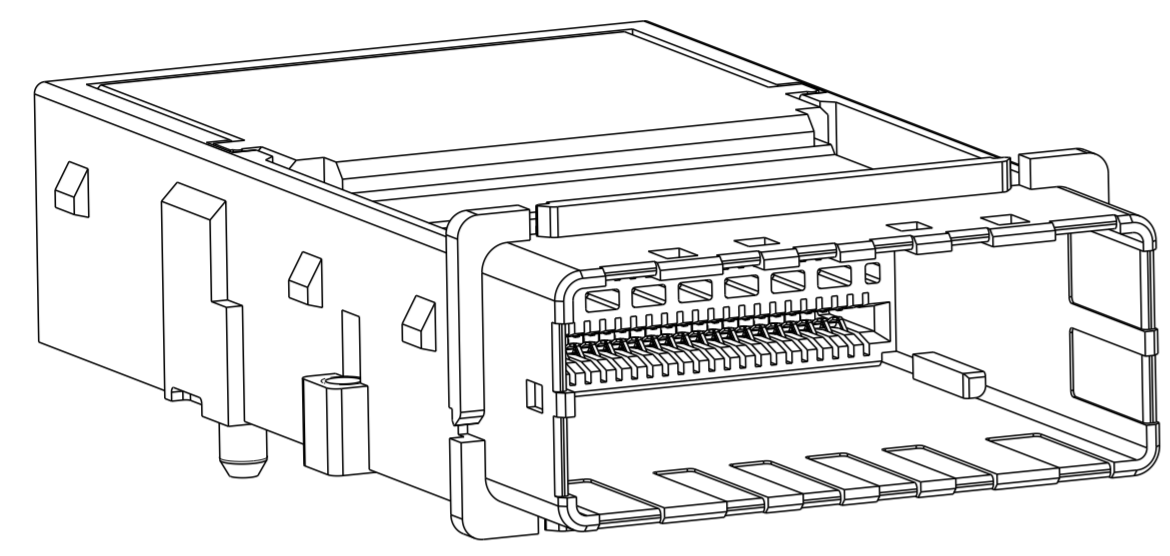
GASKET OMITTED FOR CLARITY



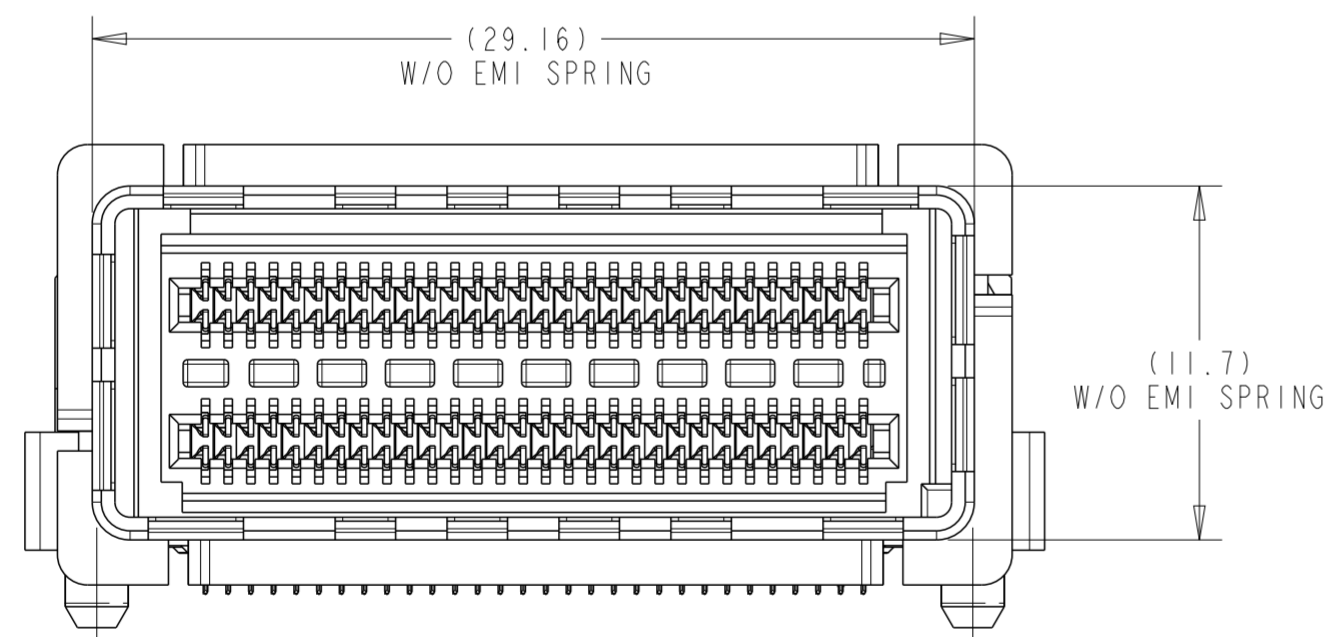
2373624-4 AND 1-2373624-0 AS SHOWN

THIS DRAWING IS A CONTROLLED DOCUMENT.		DWN M. SHIRK 11 JUN 2020	TE Connectivity	
DIMENSIONS:		CHK J. WESTMAN 11 JUN 2020		
mm	TOLERANCES UNLESS OTHERWISE SPECIFIED:	APVD J. WESTMAN 11 JUN 2020	NAME RECEPTACLE ASSEMBLY, STYLE 1, CDFP PCIe GEN 5	
	0 PLC ±0.25 1 PLC ±0.25 2 PLC ±0.20 3 PLC ±0.15 4 PLC ± ANGLES ± FINISH ±	PRODUCT SPEC 108-130052	SIZE A2	CAGE CODE -
MATERIAL	-	APPLICATION SPEC 114-160099	DRAWING NO C-2373624	RESTRICTED TO -
		WEIGHT -	SCALE 4:1	SHEET 2 OF 7
		CUSTOMER DRAWING	REV A8	

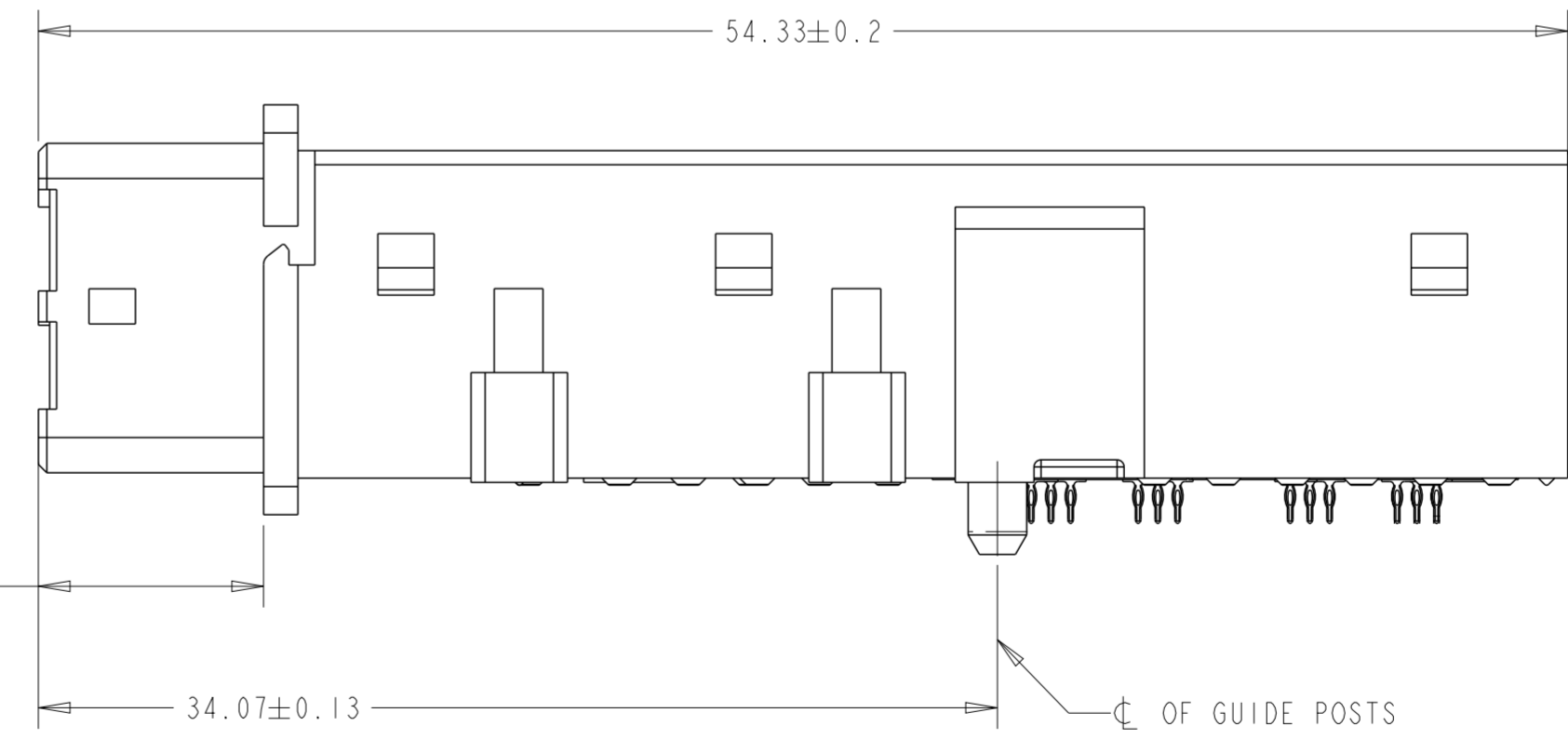
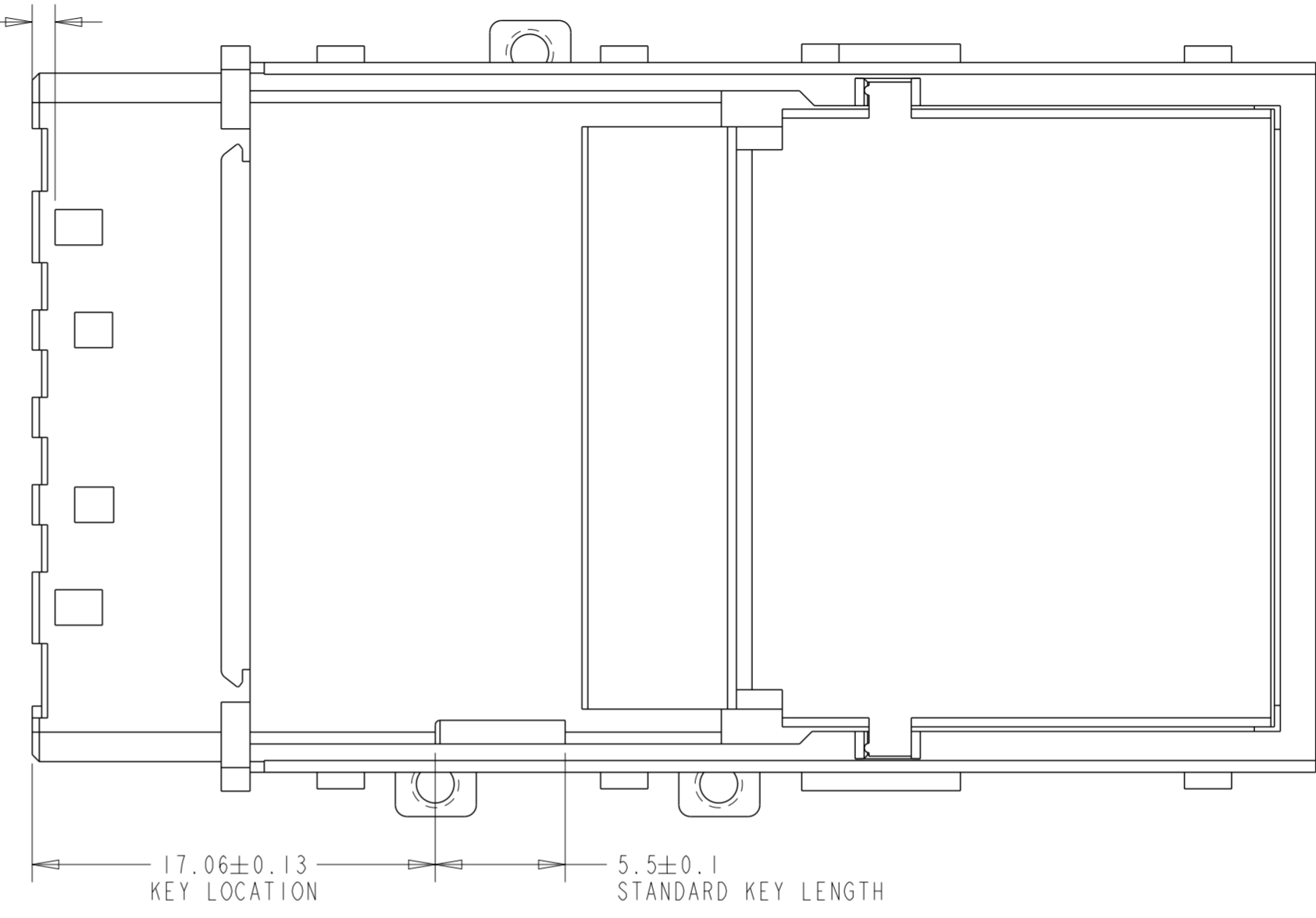
REVISIONS				
P	LTR	DESCRIPTION	DATE	APVD
-	-	SEE SHEET 1	-	-



2373624-5 AND 1-2373624-1 AS SHOWN
 UNSPECIFIED DIMENSIONS ARE SAME AS 2373624-4
 SCALE 3:1



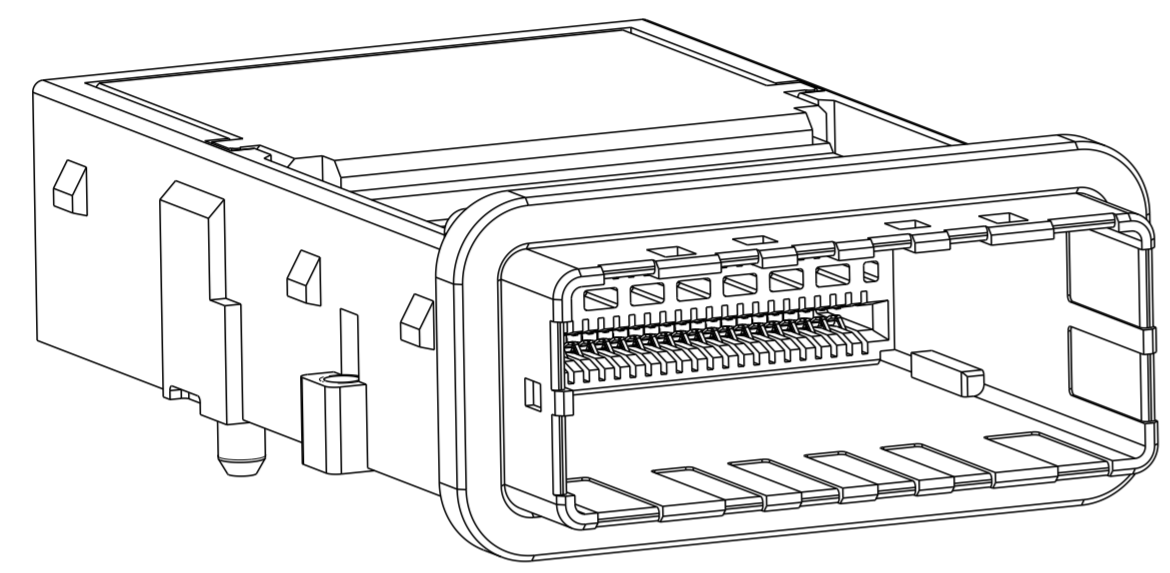
2X 0.97±0.05



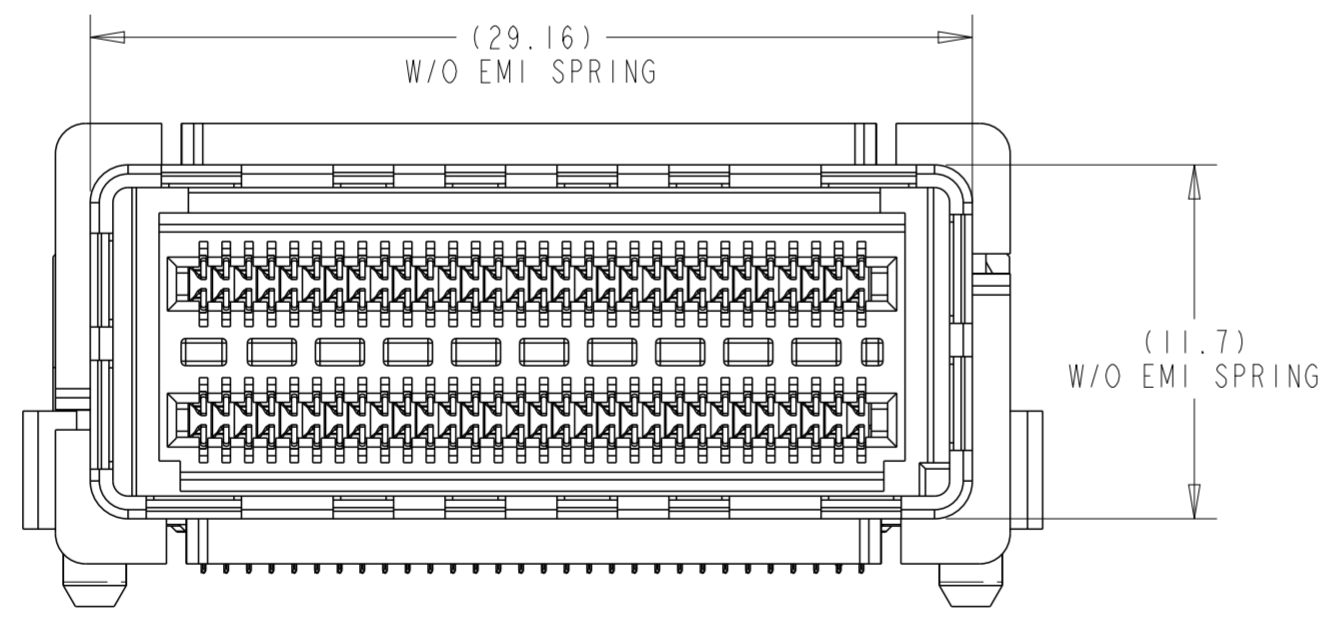
2373624-5 AND 1-2373624-1 AS SHOWN

THIS DRAWING IS A CONTROLLED DOCUMENT.		DWN M. SHIRK 11 JUN 2020		NAME RECEPTACLE ASSEMBLY, STYLE 1, CDFP PCIe GEN 5		
DIMENSIONS: mm		CHK J. WESTMAN 11 JUN 2020		SIZE A2	CAGE CODE -	DRAWING NO. C-2373624
TOLERANCES UNLESS OTHERWISE SPECIFIED: 0 PLC ±0.25 1 PLC ±0.25 2 PLC ±0.20 3 PLC ±0.15 4 PLC ± ANGLES ± FINISH -		APVD J. WESTMAN 11 JUN 2020		RESTRICTED TO -	SCALE 1:1	SHEET 3 OF 7
MATERIAL -	PRODUCT SPEC 108-130052	APPLICATION SPEC 114-160099	WEIGHT -	CUSTOMER DRAWING	REV A8	

REVISIONS				
P	LTR	DESCRIPTION	DATE	APVD
-	-	SEE SHEET 1	-	-

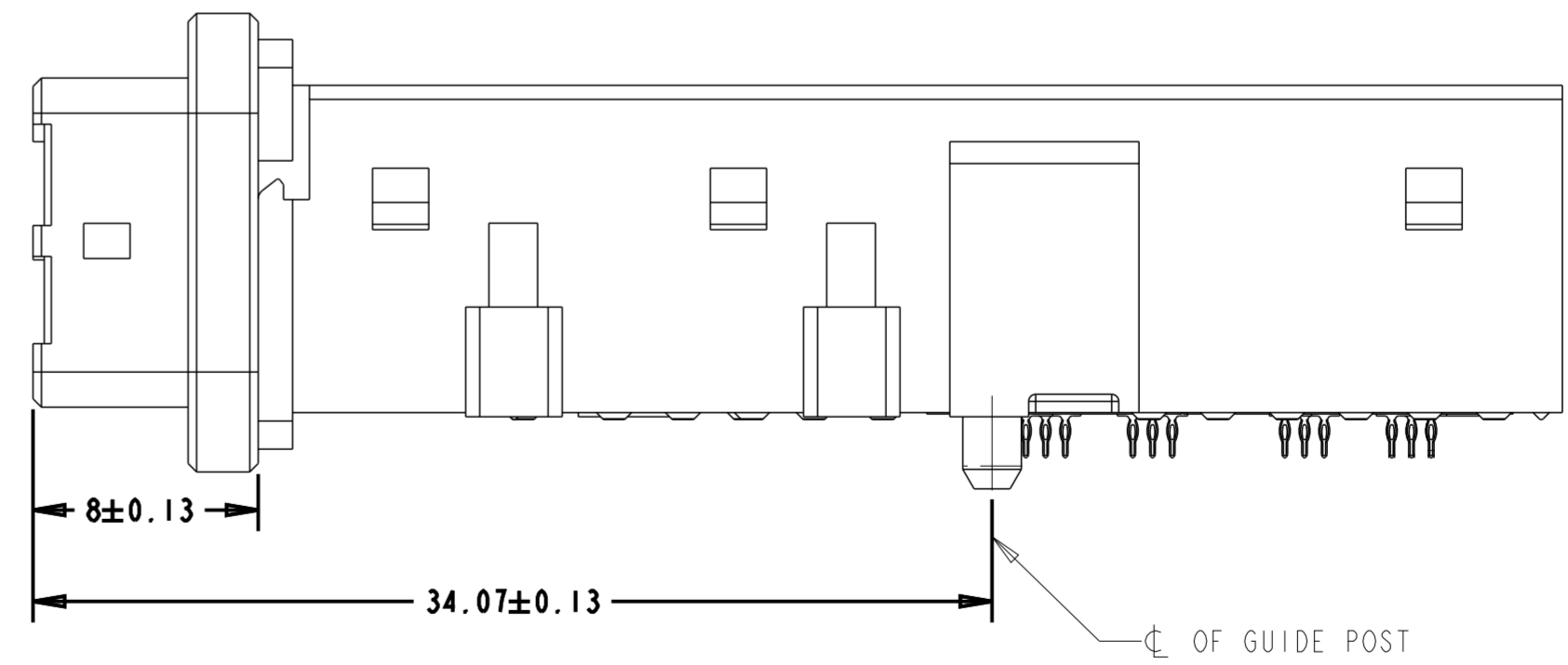
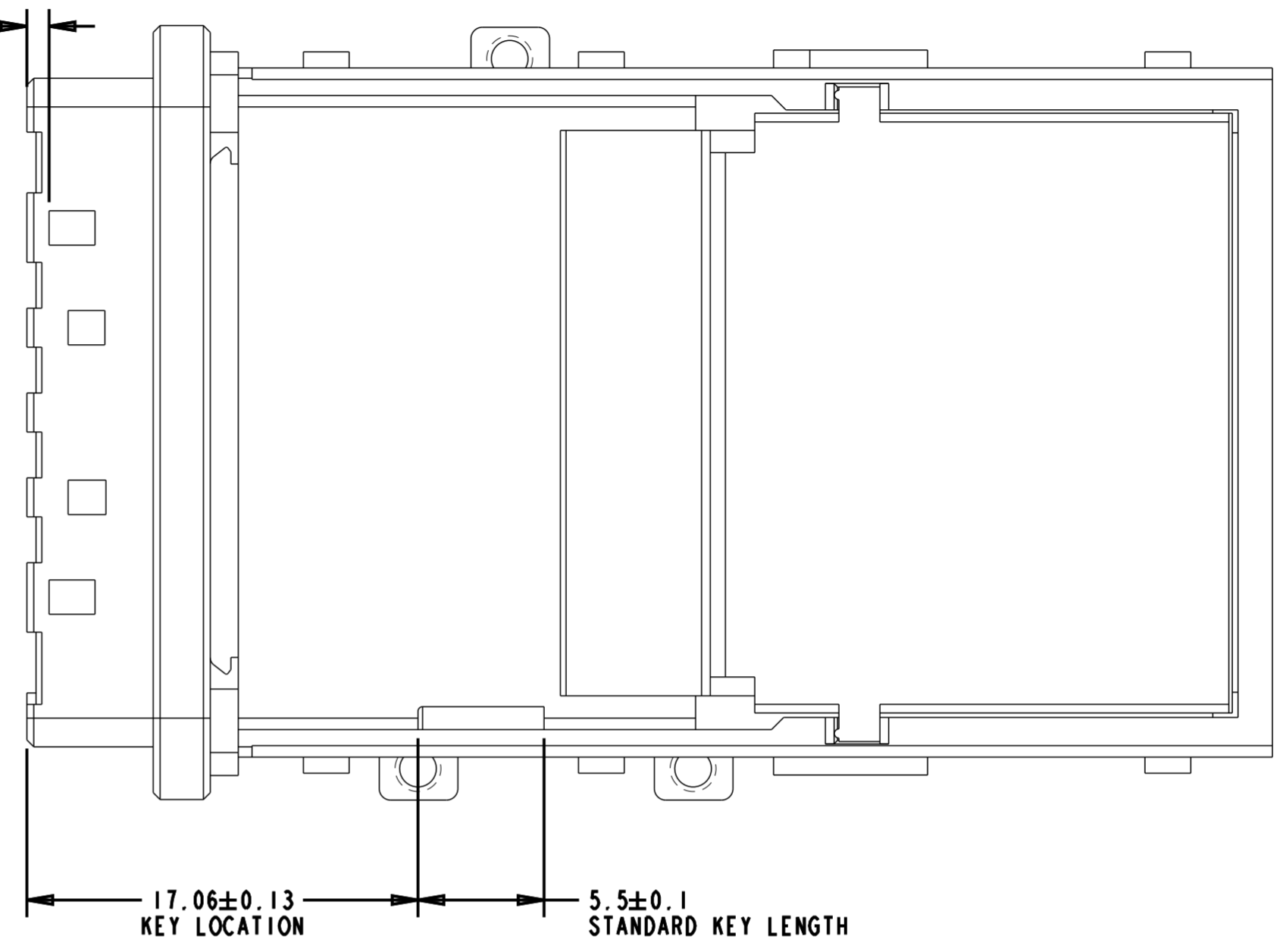


2373624-6 AND 1-2373624-2 AS SHOWN
UNSPECIFIED DIMENSIONS ARE SAME AS 2373624-4
SCALE 3:1



GASKET OMITTED FOR CLARITY

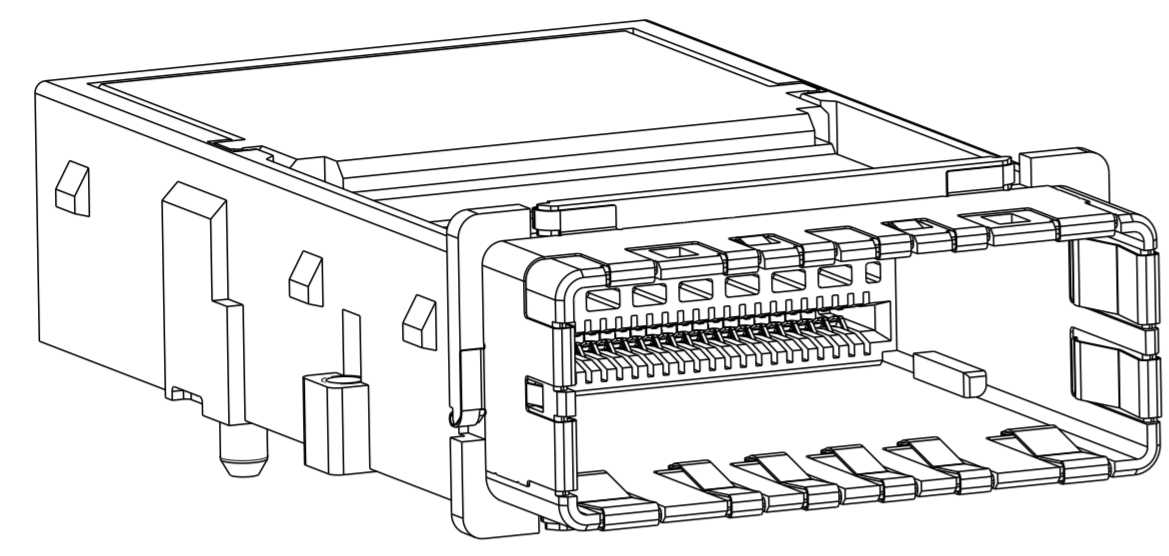
2X 0.97±0.05



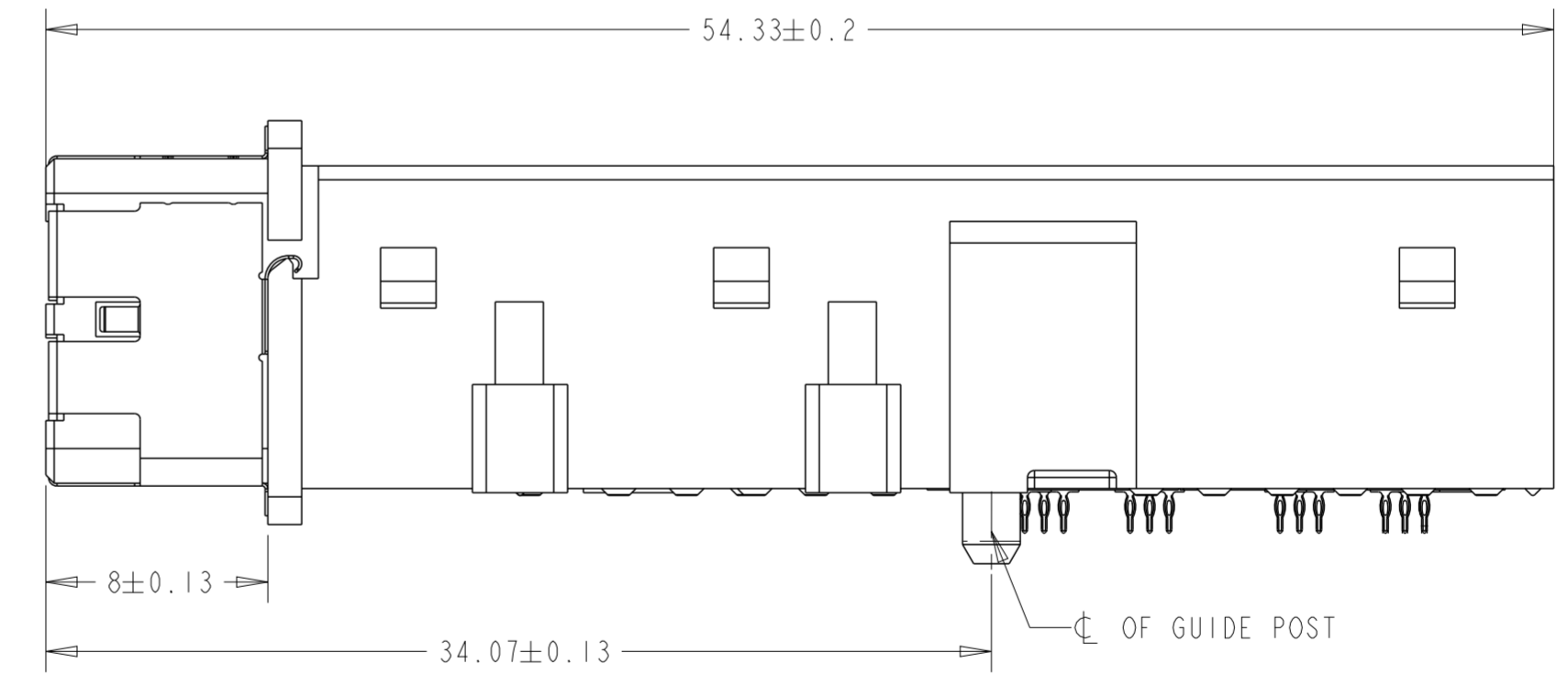
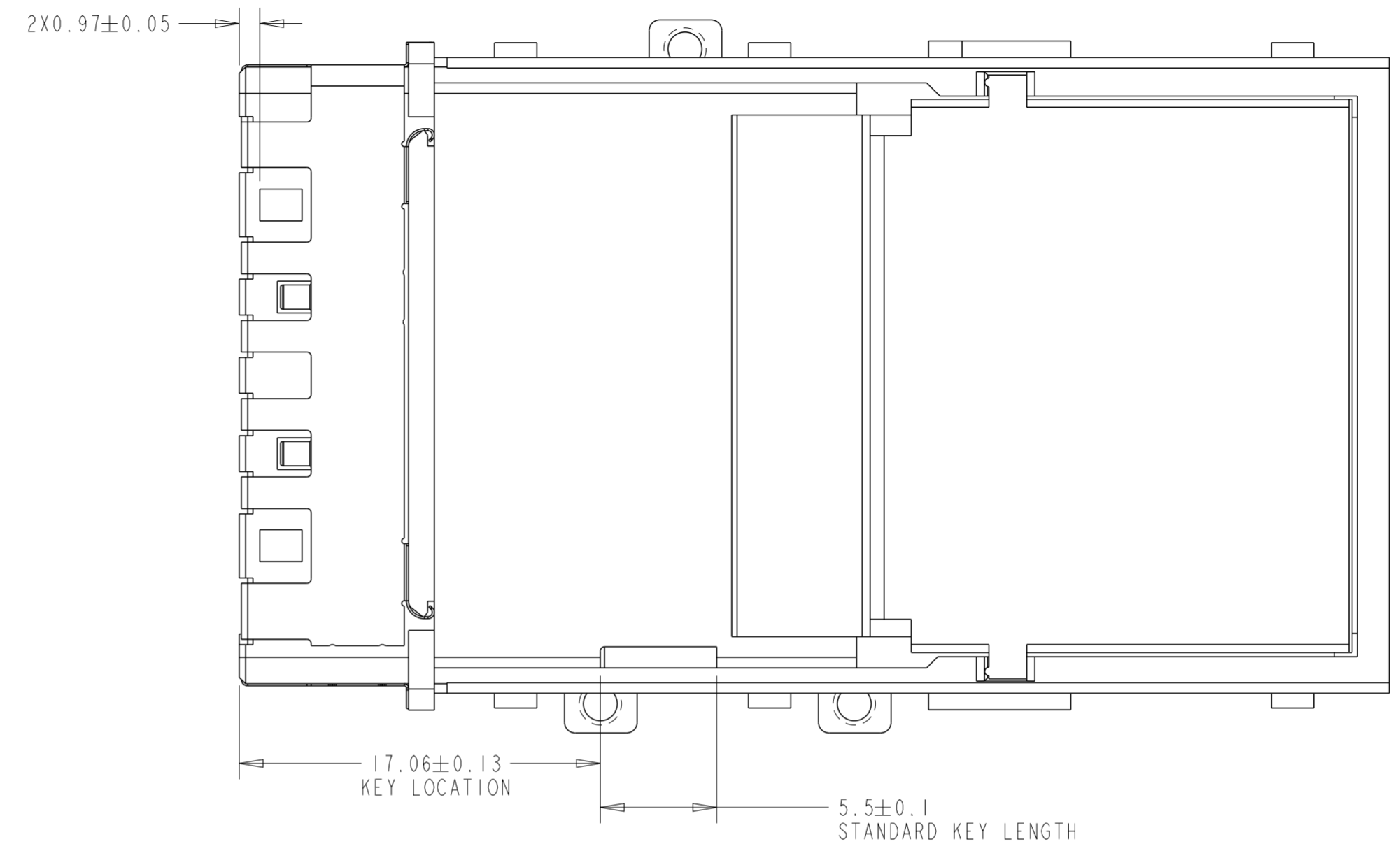
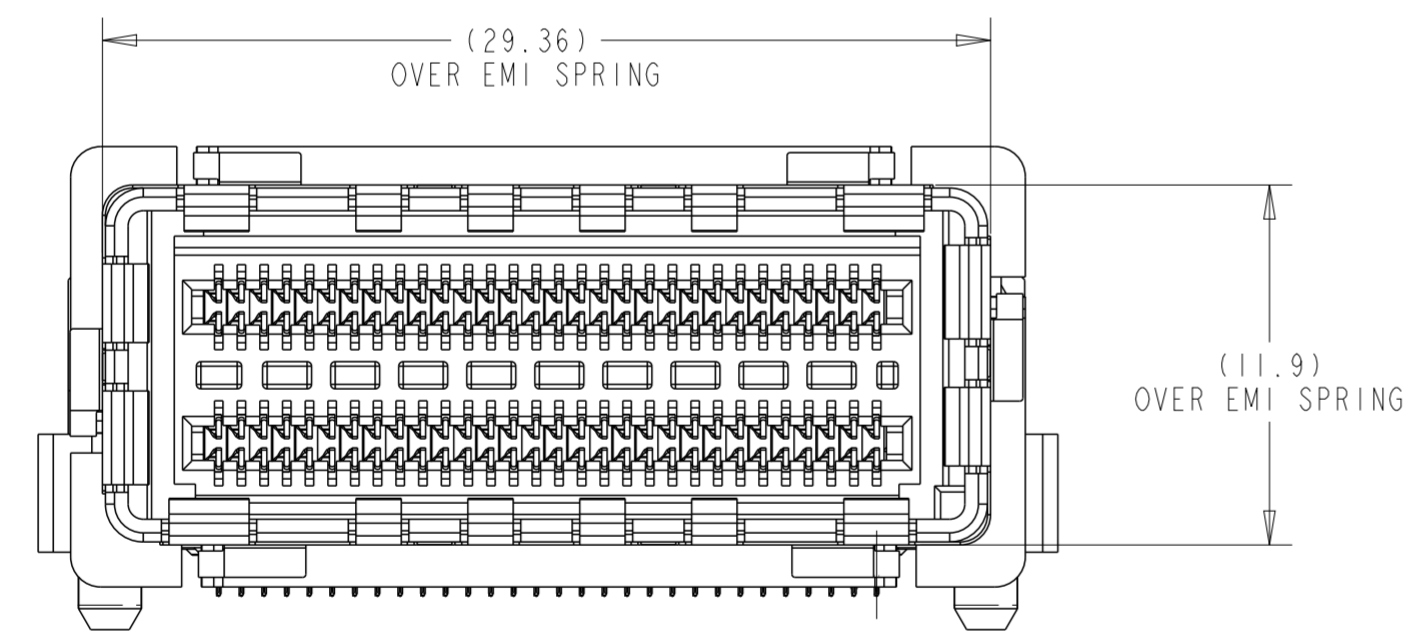
2373624-6 AND 1-2373624-2 AS SHOWN

THIS DRAWING IS A CONTROLLED DOCUMENT.		DWN M. SHIRK 11 JUN 2020		
		CHK J. WESTMAN 11 JUN 2020		
		APVD J. WESTMAN 11 JUN 2020	NAME RECEPTACLE ASSEMBLY, STYLE 1, CDFP PCIe GEN 5	
DIMENSIONS:		TOLERANCES UNLESS OTHERWISE SPECIFIED:		PRODUCT SPEC 108-130052
mm	0 PLC ±0.25 1 PLC ±0.25 2 PLC ±0.20 3 PLC ±0.15 4 PLC ± ANGLES ± FINISH	APPLICATION SPEC 114-160099		SIZE A2
MATERIAL	-	WEIGHT		CAGE CODE -
		CUSTOMER DRAWING		DRAWING NO C-2373624
		SCALE 4:1		RESTRICTED TO -
		SHEET 4 OF 7		REV A8

REVISIONS				
P	LTR	DESCRIPTION	DATE	APVD
-		SEE SHEET 1	-	-



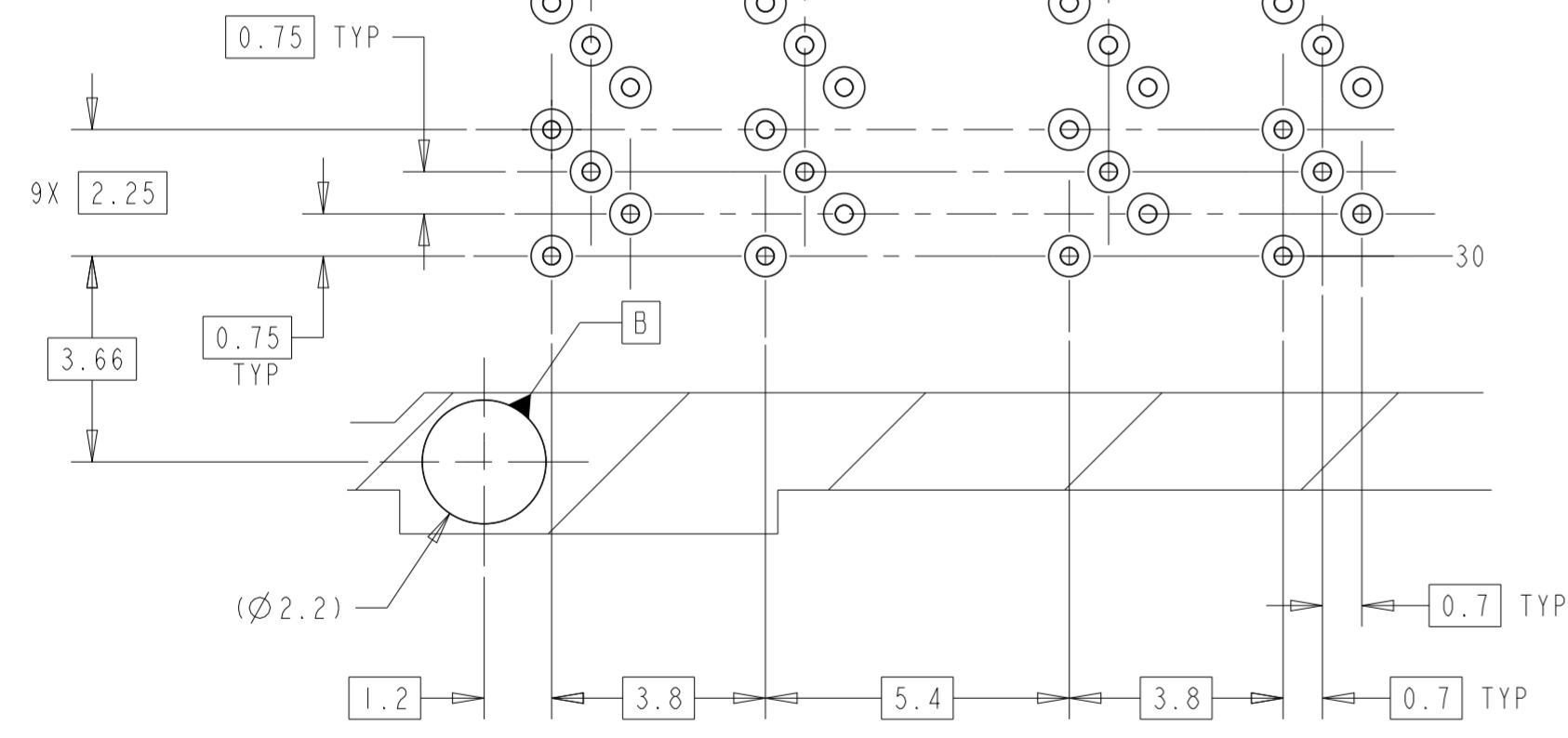
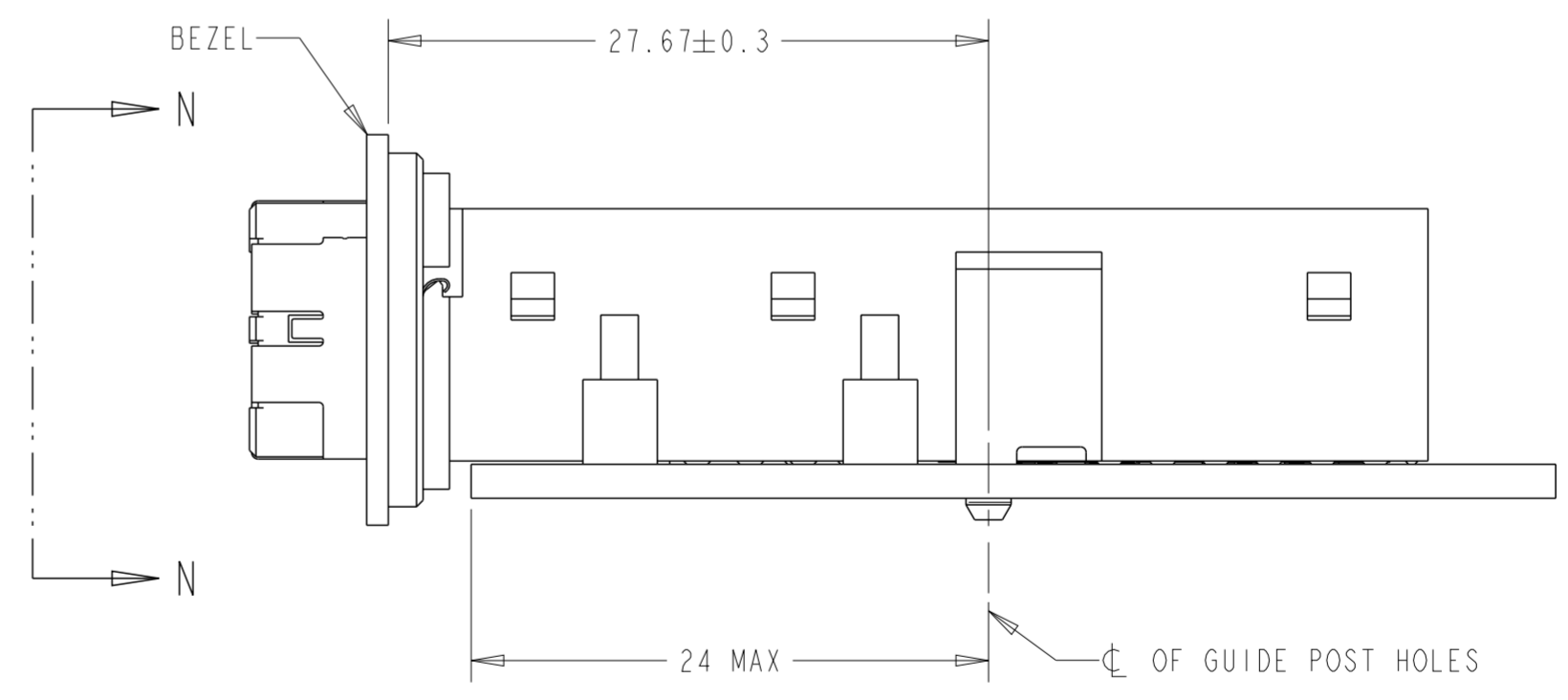
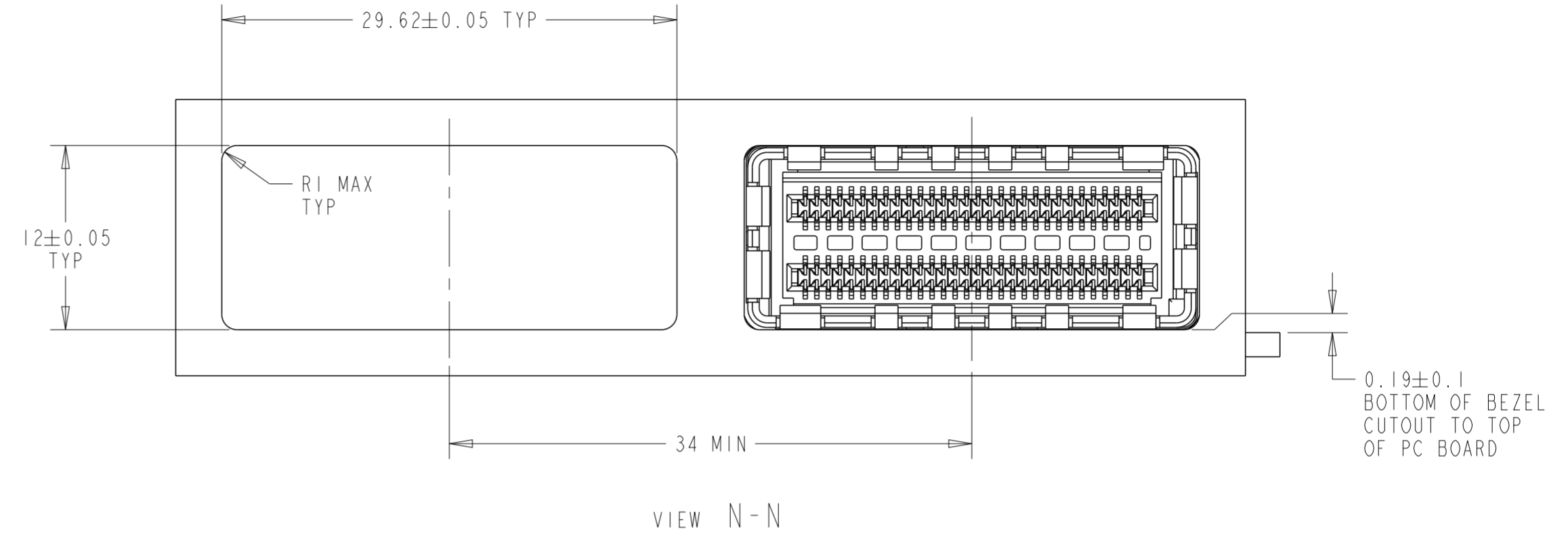
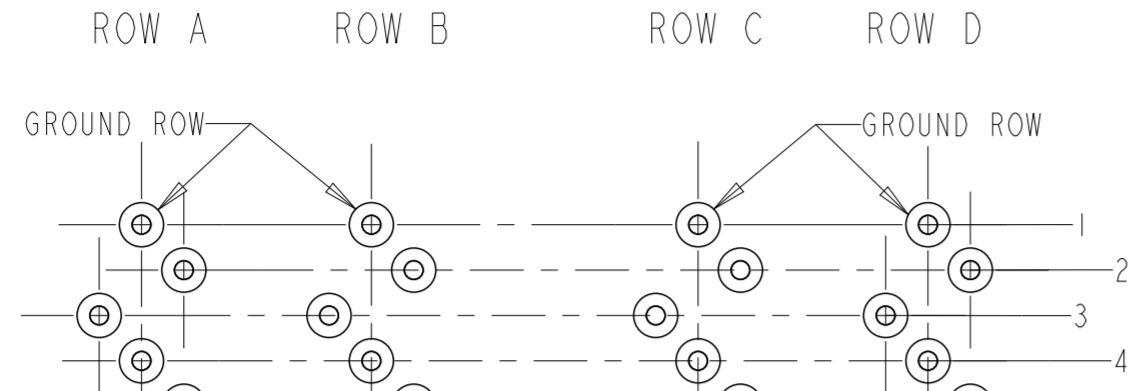
2373624-7 AS SHOWN
 UNSPECIFIED DIMENSIONS ARE SAME AS 2373624-4
 SCALE 3:1



2373624-7 AS SHOWN

THIS DRAWING IS A CONTROLLED DOCUMENT.		DWN M. SHIRK 11 JUN 2020	TE Connectivity	
DIMENSIONS: mm		CHK J. WESTMAN 11 JUN 2020		
TOLERANCES UNLESS OTHERWISE SPECIFIED:		APVD J. WESTMAN 11 JUN 2020	NAME RECEPTACLE ASSEMBLY, STYLE 1, CDFP PCIe GEN 5	
0 PLC ±0.25 1 PLC ±0.25 2 PLC ±0.20 3 PLC ±0.15 4 PLC ± ANGLES ± FINISH ±		PRODUCT SPEC 108-130052	SIZE A2	CAGE CODE -
MATERIAL -		APPLICATION SPEC 114-160099	DRAWING NO C-2373624	RESTRICTED TO -
		WEIGHT -	SCALE 4:1	SHEET 5 OF 7
		CUSTOMER DRAWING	REV A8	

P	LTR	DESCRIPTION	DATE	DWN	APVD
-	-	SEE SHEET 1	-	-	-



120X Ø0.31±0.05
 Ø0.1 A B C
 PLATED THRU HOLE

DETAIL M
 SCALE 8:1

THIS DRAWING IS A CONTROLLED DOCUMENT.		DWN M. SHIRK 11 JUN 2020	TE Connectivity	
DIMENSIONS: mm		CHK J. WESTMAN 11 JUN 2020		
TOLERANCES UNLESS OTHERWISE SPECIFIED:		APVD J. WESTMAN 11 JUN 2020	NAME RECEPTACLE ASSEMBLY, STYLE 1, CDFP PCIe GEN 5	
0 PLC ±0.25	1 PLC ±0.25	PRODUCT SPEC 108-130052	SIZE A2	CAGE CODE -
2 PLC ±0.20	3 PLC ±0.15	APPLICATION SPEC 114-160099	DRAWING NO C-2373624	RESTRICTED TO -
4 PLC ±	ANGLES ±	WEIGHT -	SCALE 1:1	SHEET 7 OF 7
MATERIAL -	FINISH -	CUSTOMER DRAWING	REV A8	