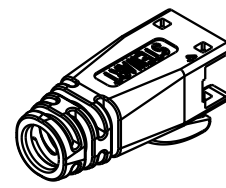
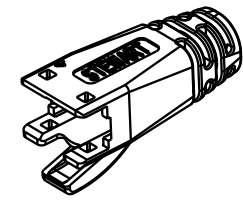
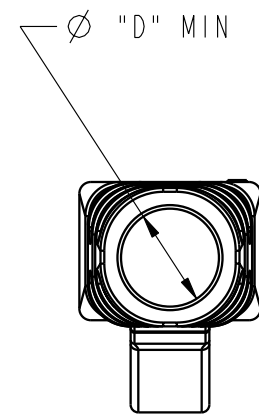
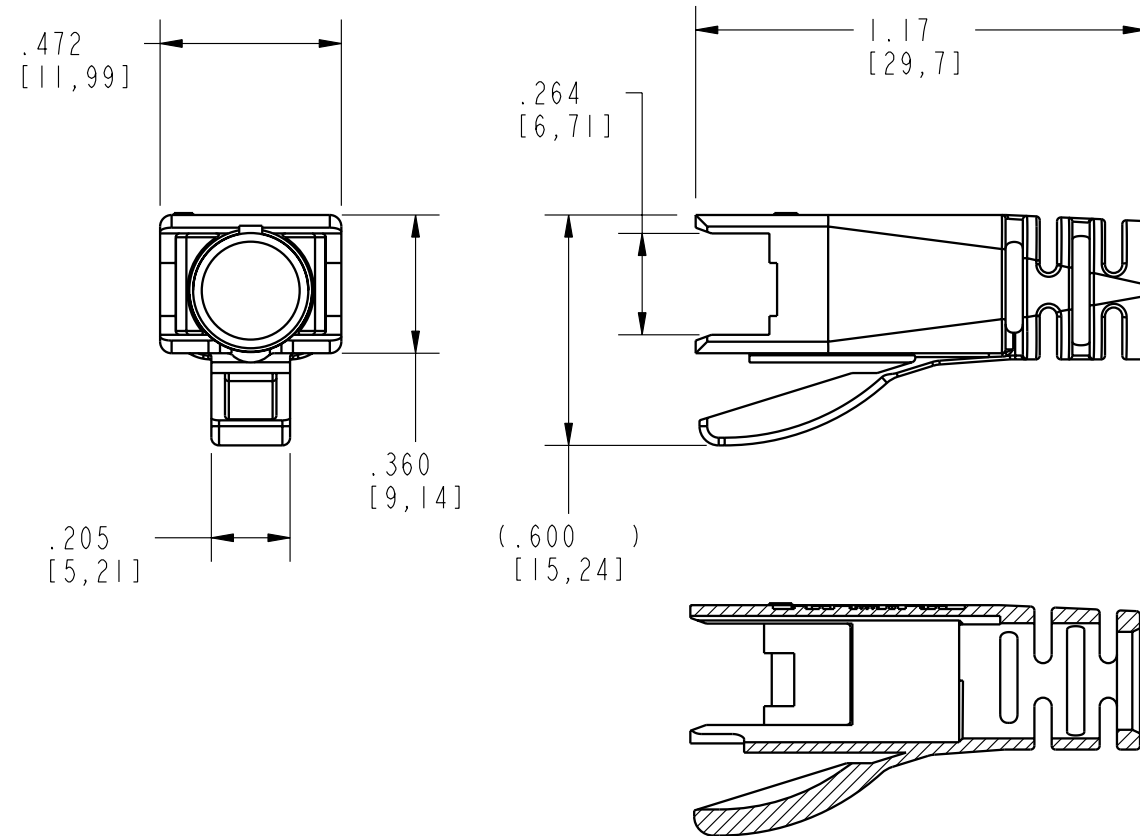


DATE	REV.	ECN	APP'D BY
2-23-16	A2	10560	TRM
4-11-17	A3	10979	TRM



ISOMETRIC VIEWS
SCALE 1.000



PART NUMBER	"D" DIAMETER	COLOR	AVAILABLE	RAL COLOR CODE
39200-872	.250 [6.35]	BLACK	YES	9011
39200-895	.250 [6.35]	CLOUD WHITE	3	7035
39200-875	.250 [6.35]	DARK GREY	3	7038
39200-876	.250 [6.35]	WHITE	3	9010
39200-877	.250 [6.35]	RED	3	3002
39200-878	.250 [6.35]	GREEN	3	6016
39200-879	.250 [6.35]	YELLOW	3	1012
39200-880	.250 [6.35]	BLUE	3	5015
39200-881	.250 [6.35]	PURPLE	3	4001
39200-882	.250 [6.35]	ORANGE	3	2003
39200-883	.295 [7.49]	BLACK	YES	9011
39200-884	.295 [7.49]	CLOUD WHITE	3	7035
39200-885	.295 [7.49]	DARK GREY	3	7038
39200-886	.295 [7.49]	WHITE	3	9010
39200-887	.295 [7.49]	RED	3	3002
39200-888	.295 [7.49]	GREEN	3	6016
39200-889	.295 [7.49]	YELLOW	3	1012
39200-890	.295 [7.49]	BLUE	3	5015
39200-891	.295 [7.49]	PURPLE	3	4001
39200-892	.295 [7.49]	ORANGE	3	2003

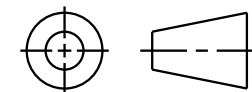
NOTES:

- MATERIAL: POLYCARBONATE, UL 94-V0
- USE .250 [6.35] I.D. BOOT FOR CABLES WITH NOMINAL OUTSIDE DIAMETER OF .232 [5.90] TO .248 [6.30]. USE .295 [7.49] I.D. BOOT FOR CABLES WITH NOMINAL O.D. OF .250 [6.35] TO .293 [7.44].

3 SPECIAL ORDER. CONSULT FACTORY. MINIMUM ORDER PURCHASE QUANTITY MAY APPLY.



THIRD ANGLE PROJECTION



11118 Susquehanna Trail South
Glen Rock, PA 17327-9199
(717) 235-7512
<http://www.stewartconnector.com>

DO NOT SCALE DRAWING

DRAWING IS SUBJECT TO CHANGE WITHOUT NOTICE

DIMENSIONS: INCHES [METRIC]

UNLESS OTHERWISE SPECIFIED TOLERANCES ARE ±.005 [0.13] ANGLES ARE ±1°

SHEET NO. 1 OF 1

LOW PROFILE STRAIN RELIEF BOOT FOR CATEGORY 6 AND 6A SHIELDED PLUG

THIS DRAWING AND THE SUBJECT MATTER SHOWN THEREON ARE CONFIDENTIAL AND THE PROPRIETARY PROPERTY OF STEWART CONNECTOR AND SHALL NOT BE REPRODUCED, COPIED, OR USED IN ANY MANNER WITHOUT PRIOR WRITTEN CONSENT OF STEWART CONNECTOR. ONE OR MORE U.S. PATENTS MAY APPLY TO THIS PRODUCT. FOR DETAILS, PLEASE VISIT: [HTTP://BELFUSE.COM/STEWART/STEWART_PATENTS/](http://BELFUSE.COM/STEWART/STEWART_PATENTS/)

DRN BY:	DHG	DATE	2-25-10
APPD BY:	TRM	DATE	2-25-10
DWG. NO.	CT390056	REV.	A3