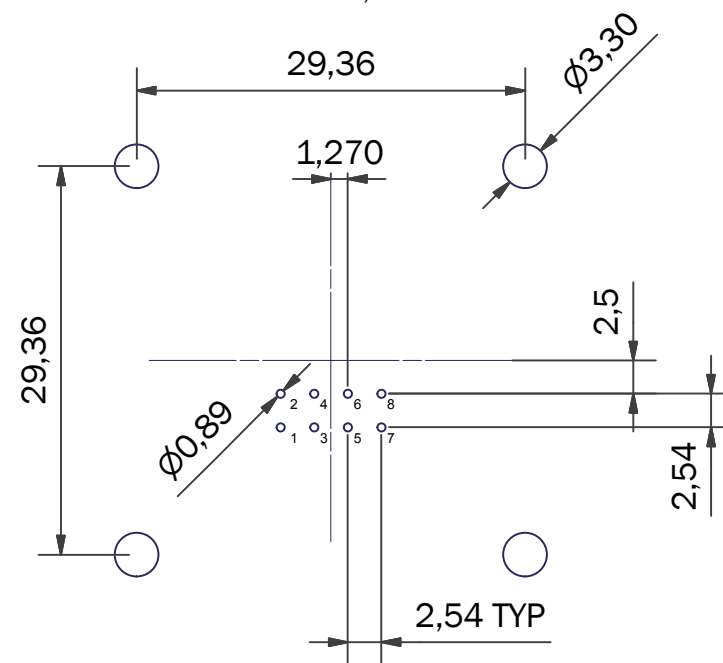


RJ45, CAT6a FEEDTHROUGH CONNECTOR GROUNDED TO OUTER SHELL
 DATA TRANSFER RATE TESTED TO 10 GIGABIT
 PRESSURE TESTED TO 1BAR (UNMATED)
 CONTACT SALES OFFICE FOR TEST RESULTS

PCB LAYOUT, SOLDER SIDE



PC4B0076-19NY-1-C(-003)

SERIES
 SHELL SIZE
 KEY ARRANGEMENT (N, A, B, C, D, E)
 INSERT ROTATION (Y - FIXED)
 MATERIAL/PLATING (SEE TABLE)
 (M3 FLANGE MOUNTING HOLES OPTION)
 PART NUMBER FOR UNGROUNDED VERSION: PC4B0076-19NY-1-B-U

CODE	MATERIAL / FINISH
1-C	ALUMINIUM / ELECTROLESS NICKEL
1-B	ALUMINIUM / CADMIUM OLIVE DRAB OVER ELECTROLESS NICKEL
1-ZB	ALUMINIUM / ZINC COBALT OLIVE DRAB OVER ELECTROLESS NICKEL
1-ZK	ALUMINIUM / ZINC COBALT BLACK OVER ELECTROLESS NICKEL
1-ZN	ALUMINIUM / ZINC NICKEL BLACK PASSIVATE OVER ELECTROLESS NICKEL
4-J	STAINLESS STEEL / PASSIVATE
2-Z	NICKEL ALUMINIUM BRONZE / SHOT BLAST

LIST NOT EXHAUSTIVE, FOR COMPREHENSIVE LIST AND SPECS, SEE WEBSITE

NOTES
 MIL-DTL-38999 STYLE
 MATES WITH AMPHENOL RJFTV

FINISH
 SEE TABLE
MATERIALS
 RJ45
 CONTACTS COPPER WITH SELECTIVE GOLD PLATE
 SHIELDING - NICKEL PLATED BRASS
 BODY - PA, UL94V-0
 PCB - FR4, UL94V-0

SEAL - SILICONE ELASTOMER
 INSULATOR - PPS GL40 UL94, COLOUR BLACK
 POTTING - QSIL 550 UL94V-0

PERFORMANCE
 VOLTAGE RATING 50V DC / 35V AC
 TEMPERATURE -40°C TO +120°C

DRAWN	M.PAUL	DATE	14/03/2018	3RD ANGLE PROJECTION NOT TO SCALE
SALES APPR		DATE	14/03/2018	
DESIGN APPR				UNLESS OTHERWISE SPECIFIED ALL DIMENSIONS IN MILLIMETRES GENERAL TOL LINEAR +/-0,25MM ANGULAR +/- 1°
PROD APPR				
QUAL APPR				MATERIAL SEE PART NUMBER BREAKDOWN FINISH SEE PART NUMBER BREAKDOWN
ISSUE	REV.	DCR	6730	
2				NCAGE CODE U5792 WEIGHT

PART NUMBER:	PC4B0076-19xY-x-x(-003)		
TITLE:	CAT6A RJ45 PCB HEADER RECEPTACLE		
ASSY USED ON:	CAT6A D38999/20		
THIS DRAWING IS COPYRIGHT AND THE PROPERTY OF POLAMCO LTD IT MUST NOT BE COPIED, USED FOR MANUFACTURE OR OTHERWISE DISCLOSED WITHOUT PRIOR WRITTEN CONSENT OF THE COMPANY.		POLAMCO LTD, WESTON LOCK, LOWER BRISTOL ROAD BATH BA2 1EP	SHT 1

Polamco

TE
connectivity

DRAWING NO:
C4556