

500mW Zener

Qualified per MIL-PRF-19500/533

DESCRIPTION:

This voidless hermetically sealed zener is military qualified per MIL-PRF-19500/533 and is targeted for space, commercial and military aircraft, military vehicles, shipboard markets and all high reliability applications.

FEATURES / BENEFITS:

- ✓ Hermetic, non-cavity glass package
- ✓ Category I Metallurgically bonded
- ✓ All devices are 100% hot solder dipped
- ✓ JAN/ JANTX/JANTXV/JANS available per MIL-PRF-19500/533

MAXIMUM RATINGS

- ✓ All ratings are @ Tc = 25 °C unless otherwise specified
- ✓ Operating -55 °C to +175 °C and storage -65 °C to +175 °C

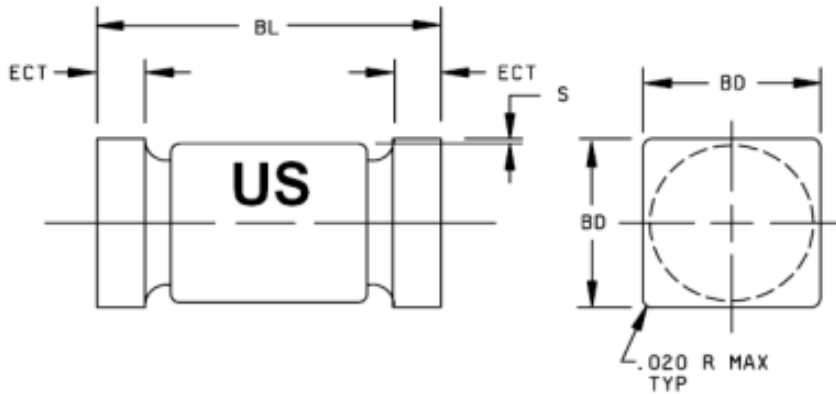
Type	VZ2 nom at IZ2	VZ1 IZ1 250 µA	IZ2 test current	ZZT at IZ2	ZZK at 250 µA	IZM	VZ(reg)	VR	IR1 at +25°C	IR2 at TA = +150°C	αvz
	V	minV	mA	Ω	Ω	mA	V	V	µA	µA	%/°C
1N6325US	11.0	10.0	20	7	550	39	0.50	8.5	1.00	10	+0.82
1N6326US	12.0	11.0	20	7	550	35	0.55	9.0	1.00	10	+0.83
1N6327US	13.0	11.9	9.5	8	550	33	0.55	9.9	0.05	10	+0.83
1N6328US	15.0	13.8	8.5	10	600	28	0.70	11.0	0.05	10	+0.84
1N6329US	16.0	14.7	7.8	12	600	27	0.75	12.0	0.05	10	+0.84
1N6330US	18.0	16.6	7.0	14	600	24	0.85	14.0	0.05	10	+0.85
1N6331US	20.0	18.5	6.2	18	500	21	0.95	15.0	0.05	10	+0.86
1N6332US	22.0	20.4	5.6	20	500	19	1.05	17.0	0.05	10	+0.87

TECHNICAL DATA
DATA SHEET 5102, REV. B.6

ELECTRICAL CHARACTERISTICS

Type	VZ2 nom at IZ2	VZ1 IZ1 250 μ A	IZ2 test current	ZZT at IZ2	ZZK at 250 μ A	IZM	VZ(reg)	VR	IR1 at +25° C	IR2 at TA = +150°C	α VZ
	V	minV	mA	Ω	Ω	mA	V	V	μ A	μ A	%/°C
1N6333US	24.0	22.3	5.2	24	500	18	1.15	18.0	0.05	10	+0.088
1N6334US	27.0	25.2	4.6	27	500	16	1.30	21.0	0.05	10	+0.090
1N6335US	30.0	28.0	4.2	32	500	14	1.45	23.0	0.05	10	+0.091
1N6336US	33.0	30.9	3.8	40	600	13	1.60	25.0	0.05	10	+0.092
1N6337US	36.0	33.7	3.4	50	600	12.0	1.75	27.0	0.05	10	+0.093
1N6338US	39.0	36.6	3.2	55	700	11.0	1.90	30	0.05	10	+0.094
1N6339US	43.0	40.4	3.0	65	800	9.9	2.10	33	0.05	10	+0.095
1N6340US	47.0	44.2	2.7	75	900	9.0	2.25	36	0.05	10	+0.095
1N6341US	51.0	48.0	2.5	85	1000	8.3	2.50	39	0.05	10	+0.096
1N6342US	56.0	52.7	2.2	100	1200	7.6	2.70	43	0.05	10	+0.097
1N6343US	62.0	58.4	2.0	125	1300	6.8	2.90	47	0.05	10	+0.098
1N6344US	68.0	64.1	1.8	155	1500	6.3	3.20	52	0.05	10	+0.101
1N6345US	75.0	70.8	1.7	180	1600	5.7	3.40	56	0.05	10	+0.103
1N6346US	82.0	77.4	1.5	220	1800	5.2	3.80	62	0.05	10	+0.105
1N6347US	91.0	86.0	1.4	270	2100	4.7	4.20	69	0.05	10	+0.108
1N6348US	100.0	94.5	1.3	340	2400	4.3	4.40	76	0.05	10	+0.110
1N6349US	110.0	104.0	1.1	500	2800	3.9	4.80	84	0.05	10	+0.110
1N6350US	120.0	113.0	1.0	600	3200	3.5	5.20	91	0.05	10	+0.110
1N6351US	130.0	122.0	0.95	850	4100	3.3	5.60	99	0.05	10	+0.110

PACKAGE DIMENSIONS (inches/mm)



Symbol	Dimensions			
	Inches		Millimeters	
	Min	Max	Min	Max
BD	.070	.085	1.78	2.16
BL	.165	.195	4.19	4.95
ECT	.019	.028	0.48	0.71
S	.003 min		0.08 min	

TECHNICAL DATA
DATA SHEET 5102, REV. B.6

PART ORDERING INFORMATION

The following part numbers can be purchased in either axial or surface mount devices and screened and tested to the military screening flow. The parts are marked in accordance with the testing performed, example:

Sensitron Screening Level	*Part Number-- Surface Mount Package (example for 1N6324)
1N	1N6324US, 1N6324U
JAN	JAN1N6324US, JAN1N6324U
JANTX	JANTX1N6324US, JANTX1N6324U
JANTXV	JANTXV1N6324US, JANTXV1N6324U
JANS	JANS1N6324US, JANS1N6324U

*Parts can also be ordered Tape & Reel

DISCLAIMER:

- 1- The information given herein, including the specifications and dimensions, is subject to change without prior notice to improve product characteristics. Before ordering, purchasers are advised to contact the Sensitron Semiconductor sales department for the latest version of the datasheet(s).
- 2- In cases where extremely high reliability is required (such as use in nuclear power control, aerospace and aviation, traffic equipment, medical equipment, and safety equipment), safety should be ensured by using semiconductor devices that feature assured safety or by means of users' fail-safe precautions or other arrangement.
- 3- In no event shall Sensitron Semiconductor be liable for any damages that may result from an accident or any other cause during operation of the user's units according to the datasheet(s). Sensitron Semiconductor assumes no responsibility for any intellectual property claims or any other problems that may result from applications of information, products or circuits described in the datasheets.
- 4- In no event shall Sensitron Semiconductor be liable for any failure in a semiconductor device or any secondary damage resulting from use at a value exceeding the absolute maximum rating.
- 5- No license is granted by the datasheet(s) under any patents or other rights of any third party or Sensitron Semiconductor.
- 6- The datasheet(s) may not be reproduced or duplicated, in any form, in whole or part, without the expressed written permission of Sensitron Semiconductor.
- 7- The products (technologies) described in the datasheet(s) are not to be provided to any party whose purpose in their application will hinder maintenance of international peace and safety nor are they to be applied to that purpose by their direct purchasers or any third party. When exporting these products (technologies), the necessary procedures are to be taken in accordance with related laws and regulations.