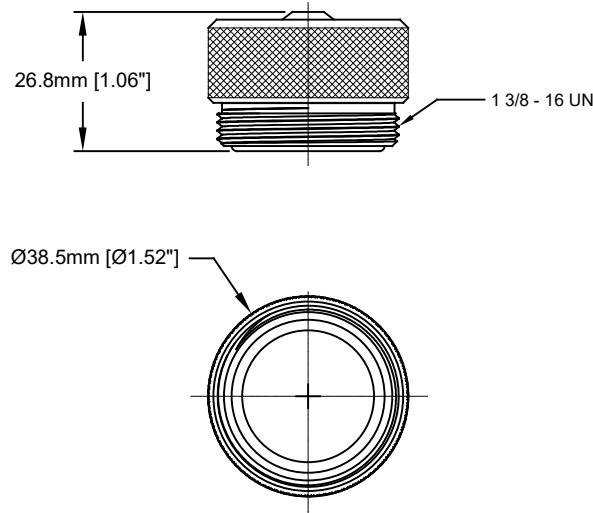


REVISIONS					
REV	ECO	DESCRIPTION	DATE	BY	APPR
A1	-	TECHNICAL DATA SHEET RELEASE	12-MAY-14	KMM	RFC



Risk of Electrical Shock
Do Not Disconnect Under Load.
Risque de chocs électriques
Ne pas débrancher sous tension.

WARNING

Amphenol P/N	ROCKWELL P/N	MOLEX	TURCK
P29043	889A-QMCAP	55-0198	GSDM-CC

TECHNICAL DATA:

- 1) MATERIALS:
HOUSING: MACHINED ALUMINUM, ANODIZED
- 2) RoHS COMPLIANT

QUANTITY	PART NUMBER	DESCRIPTION	ITEM								
MATERIALS LIST											
UNLESS OTHERWISE SPECIFIED 1) All dimensions are in metric (mm). 2) Tolerances are as follows: 1 PL DEC ±0.30 Fractions ±1/64 2 PL DEC ±0.15 Angles ±1° 3 PL DEC ±0.08 3) Note reference =		SIGNATURES DRAWN: KMM CHECKED: MRF ENGINEER: KMM APPROVAL: RFC	DATE 12-MAY-14 12-MAY-14 12-MAY-14								
MATERIAL SPECIFICATIONS:		<p style="text-align: center;">Amphenol</p> <p style="text-align: center;">Sine Systems - www.amphenol-sine.com 44724 Morley Drive Clinton Township, MI 48036</p> <p style="text-align: center;">M35 PB LITE, CLOSURE CAP FOR FEMALE CONNECTOR, TRUNK</p>									
PROCESS SPECIFICATIONS:		THIS DRAWING IS SUPPLIED FOR INFORMATION ONLY. DESIGN FEATURES, SPECIFICATIONS AND PERFORMANCE DATA SHOWN HEREON ARE THE PROPERTY OF THE AMPHENOL CORPORATION. NO RIGHTS OF REPRODUCTION ARE IMPLIED. ALL DIMENSIONS ARE SUBJECT TO NORMAL MANUFACTURING VARIATIONS.	<table border="1"> <tr> <td>SIZE</td> <td>TYPE</td> <td>DWG NO:</td> <td>REVISION</td> </tr> <tr> <td></td> <td>C-</td> <td>P29043</td> <td>A1</td> </tr> </table>	SIZE	TYPE	DWG NO:	REVISION		C-	P29043	A1
SIZE	TYPE	DWG NO:	REVISION								
	C-	P29043	A1								
NEXT ASSY:	SCALE: FULL	C-P29043	SHEET 1 OF 1								

TITLE: M35 PB LITE, CLOSURE CAP, FEMALE, TRUNK
 DWG NO: C-P29043
 REV: A1
 SH: 1
 OF: 1