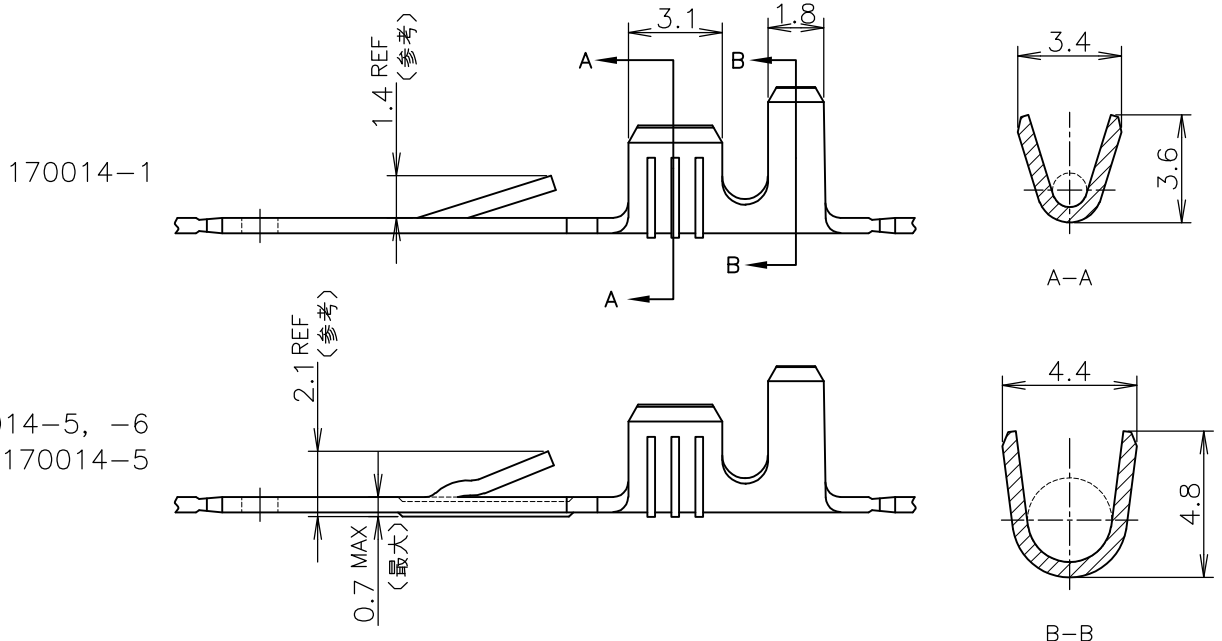
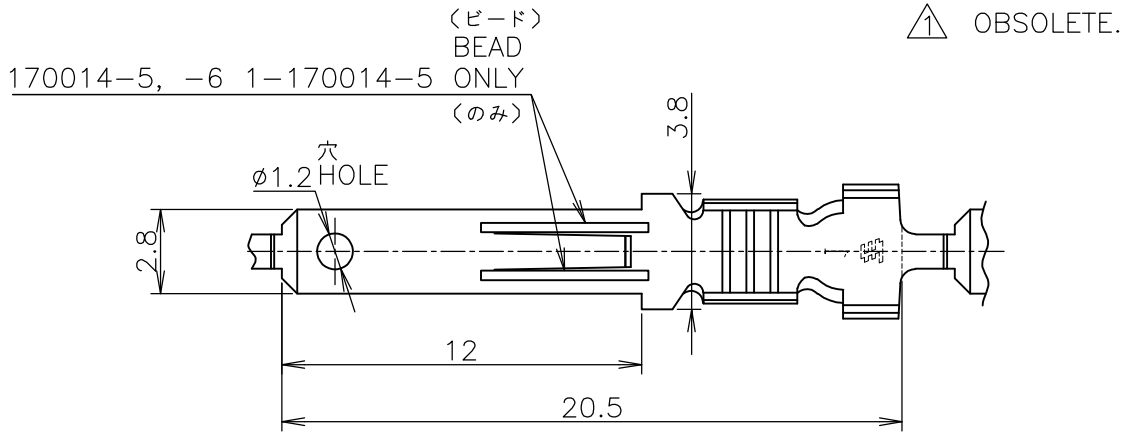


REVISIONS

P	LTR	DESCRIPTION	DATE	DWN	APVD
	M2	REVISED PER ECR-16-007334	23MAY2016	NK	LP

\*- -\*; AS SHOWN



△ 170015-*	錫めっき済黄銅 (PRE-TIN BRASS) 0.5t	—  —	170014-6	
	—  —	黄銅 (BRASS) 0.5t	1-170014-5	
	—  —	黄銅 (BRASS) 0.5t	170014-5	
	—  —	黄銅 (BRASS) 0.5t	170014-1	
MATING CONN PART NO. 嵌合型番	FINISH 仕上	MATERIAL 材料	L/P PART NO. ばら状端子型番	STRIP PART NO. 連鎖状端子型番

WIRE RANGE 抱合電線断面積	AWG #20-#16 0.5~1.42 mm <sup>2</sup>	INSULATION DIA 被覆外径	2.0~3.0 mm $\phi$
-----------------------	---	------------------------	-------------------

DIMENSIONS: 単位: 耗 mm	DWN N.YAMASAKI 29OCT2002	MATERIAL 材料 表参照 SEE TABLE	FINISH 仕上		
	CHK M.SHINDO 29OCT2002	TE Connectivity			
TOLERANCES UNLESS OTHERWISE SPECIFIED: 一般公差	APVD Y.KASHIWA 29OCT2002			NAME 名称 110 SERIES FASTIN - FASTON TAB 110シリーズ ファスティン・ファストン・タブ	
0 PLC ± 1 PLC ± 2 PLC ± ±0.4 3 PLC ± 4 PLC ± ANGLES ±	PRODUCT SPEC 製品規格 108-5005	SIZE A4	CAGE CODE 00779	DRAWING NO 番号 170014	RESTRICTED TO
	APPLICATION SPEC 取付適用規格	WEIGHT	CUSTOMER DRAWING		SCALE 尺度 4:1
			SHEET 1 OF 1	REV M2	

RELEASED FOR PUBLICATION

ALL RIGHTS RESERVED.

THIS DRAWING IS UNPUBLISHED.

By - COPYRIGHT -