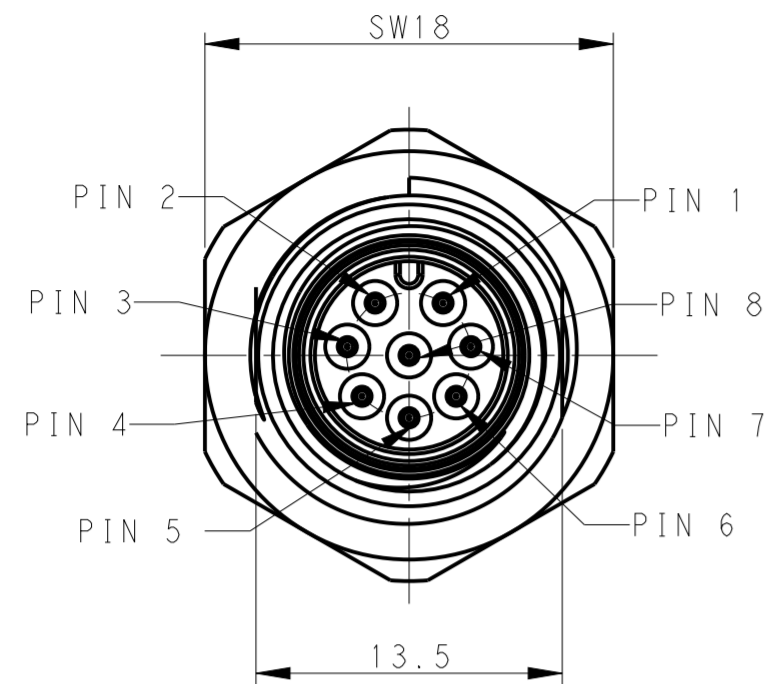
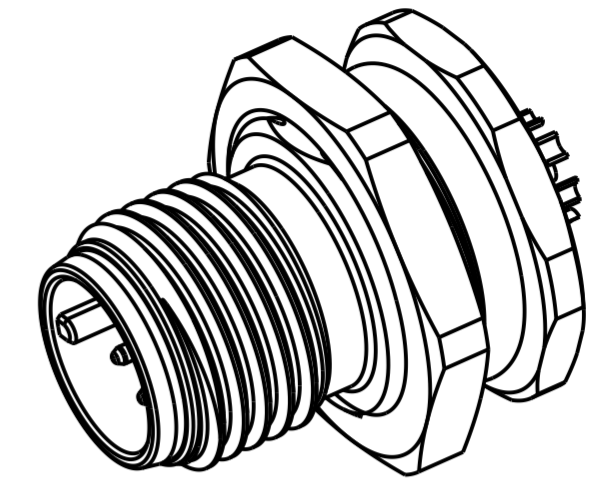
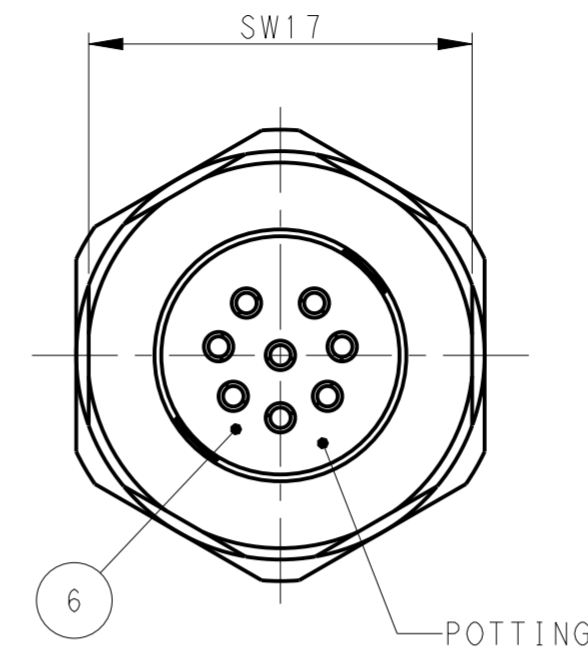
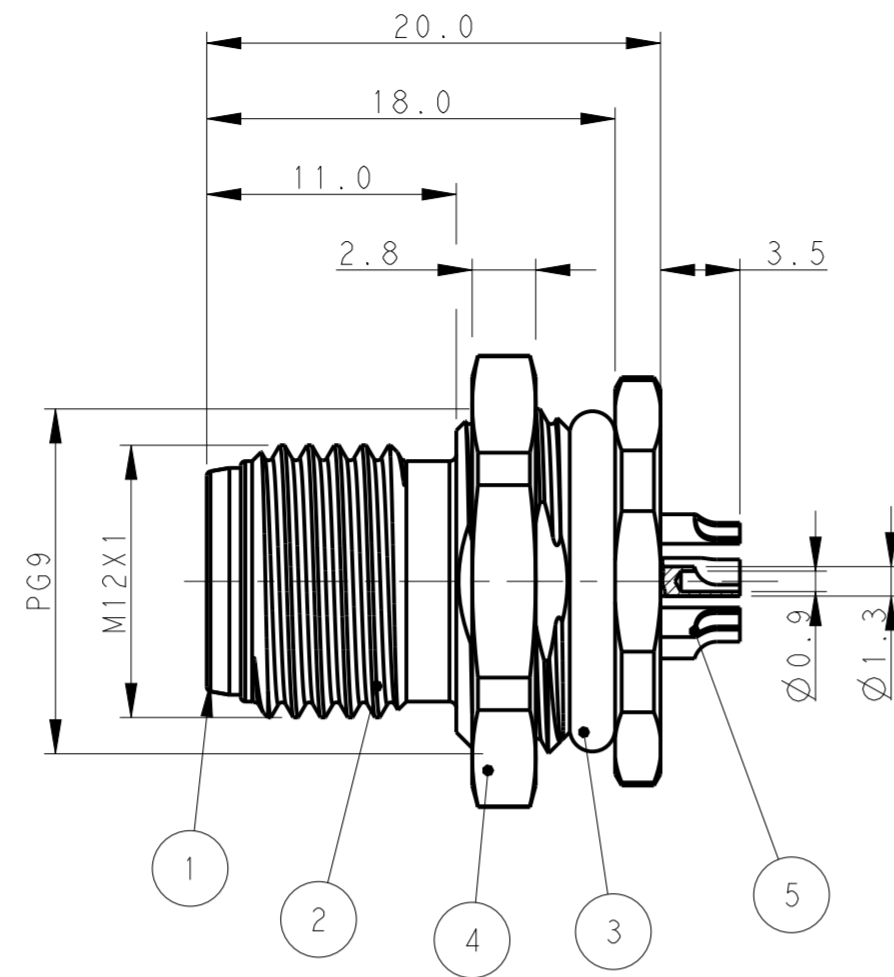


THIS DRAWING IS UNPUBLISHED. RELEASED FOR PUBLICATION  
 © COPYRIGHT copyright.d8te- ALL RIGHTS RESERVED.

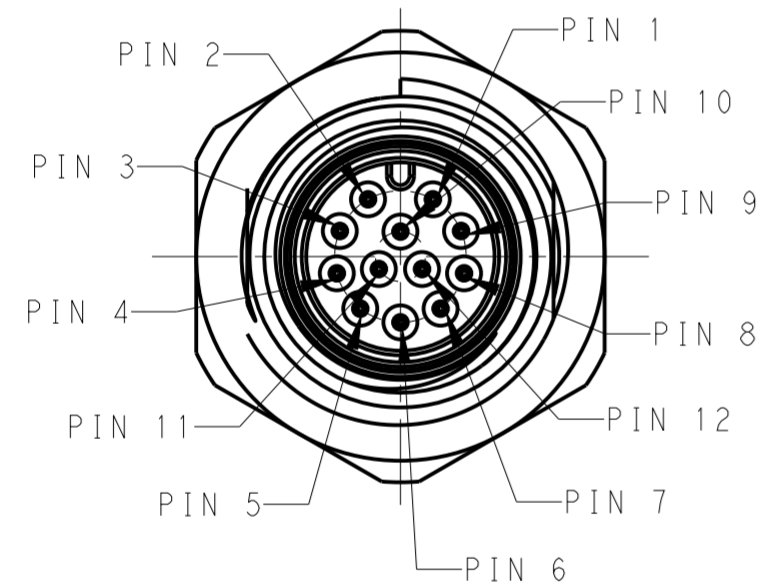
REVISIONS				
P	LTR	DESCRIPTION	DATE	APVD
	A	INITIAL RELEASE	08JUN2021	G.W C.W



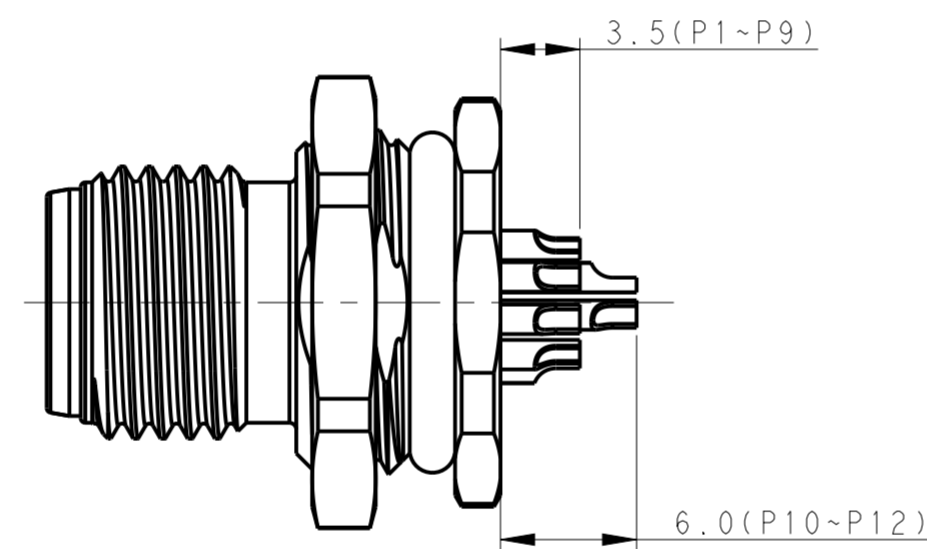
M12, MALE, 8POLES



- NOTE:
1. TECHNICAL DATA: SEE TABLE 1
  2. RECOMMENDED MOUNT PANEL SEE DETAIL
  3. PACKAGING: 1 PIECE IN A BAG
  4. ALL DIMENSIONS ARE FOR NOMINAL REFERENCE ONLY UNLESS OTHERWISE STATED



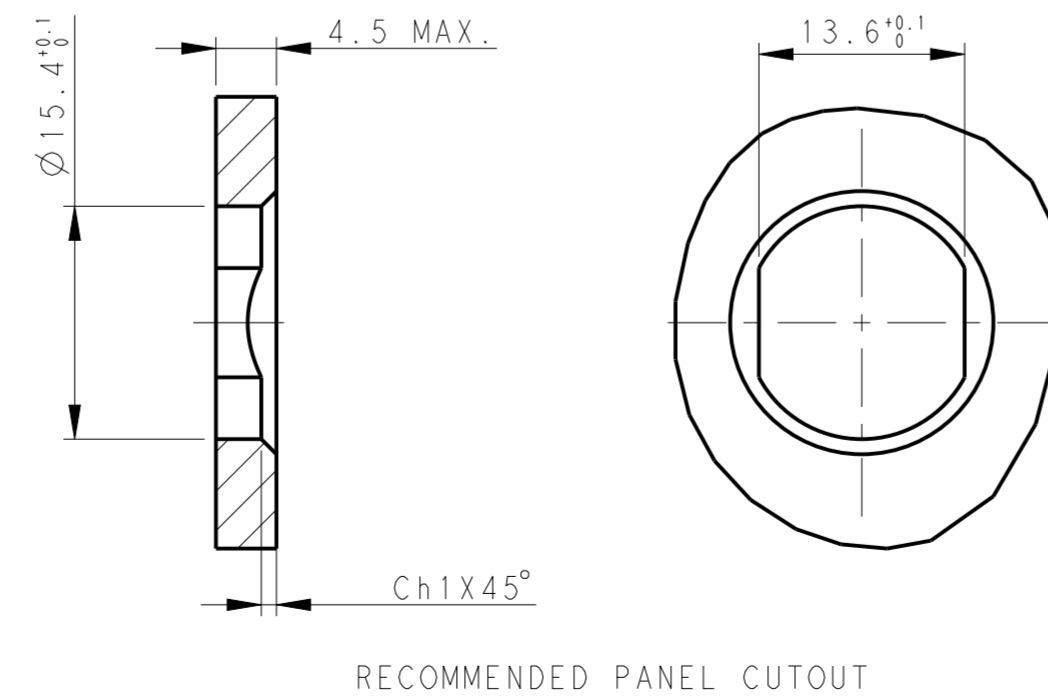
M12, MALE, 12POLES



- 注释:
1. 技术参数, 见表 1
  2. 推荐开孔尺寸详见如图所示
  3. 包装: 1PCS/袋
  4. 所有尺寸仅供参考, 除非另有说明

TABLE 1

TECHNICAL DATA	T4130012081-000	T4130012121-000
RATED VOLTAGE	30V	30V
RATED CURRENT	2A	1.5A
POLLUTION DEGREE	3	3
OVERVOLTAGE CATEGORY	II	II
MATERIAL GROUP	II	II
INSULATION RESISTANCE	>100MΩ	>100MΩ
DEGREE OF PROTECTION	IP67	IP67
OPERATION TEMPEATURE	-40~85°C	-40~85°C



DESCRIPTION	TE PN	ENTRELEC PN
M12-MF-8CON-PG9-LAU	T4130012081-000	1SET310809R0000
M12-MF-12CON-PG9-LAU	T4130012121-000	1SET310811R0000

OTHERS	MATERIAL	DESCRIPTION	ITEM
-	EPOXY RESIN	POTTING ADHESIVE	6
GOLD PLATED	COPPER ALLOY	CONTACT	5
NICKEL PLATED	COPPER ALLOY	METAL NUT	4
BLACK	RUBBER	O-RING	3
NICKEL PLATED	COPPER ALLOY	M12, MALE, METAL BODY	2
-	PA66	M12, MALE HSG	1

THIS DRAWING IS A CONTROLLED DOCUMENT.

DIMENSIONS: mm	TOLERANCES UNLESS OTHERWISE SPECIFIED:	DWN: GAVIN WANG 08JUN2021	<b>ENTRELEC</b> Electrical Solutions M12 PANEL MOUNT CONNECTOR A CODE, MALE, REAR MOUNT
		CHK: KEVIN HUANG 08JUN2021	
		APVD: CHRIS WANG 08JUN2021	
		PRODUCT SPEC: 108-106140	
MATERIAL: -		APPLICATION SPEC: 114-137144	SIZE: A2
		WEIGHT: -	CAGE CODE: -
		CUSTOMER DRAWING	DRAWING NO: G-1SET311P01R0000
			RESTRICTED TO: -
			SCALE: 3:1
			SHEET: 1 OF 1
			REV: A