

Terminations SMA

**up to 18 GHz
1 Watt**

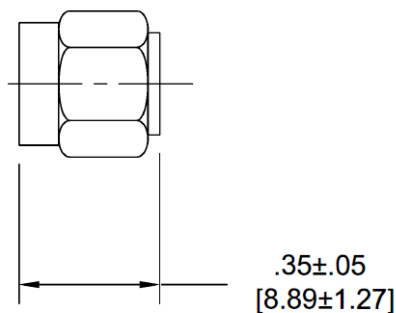
MODELS: 3016B, 3016BC

Technical Specifications

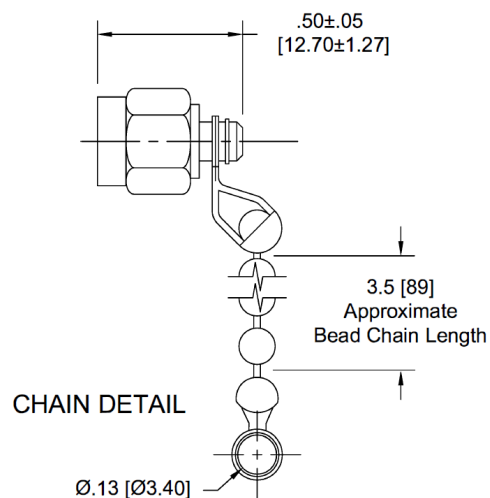
Parameter	Value
<i>Electrical</i>	
Frequency Range	DC – 18 GHz
VSWR	DC – 8 GHz 1.10:1 max. 8 – 12.4 GHz 1.15:1 max. 12.4 – 18 GHz 1.20:1 max.
Input Power	1 Watt Average @ 25°C <i>Derated linearity to 0 watt @ +125°C</i>
Impedance	50 Ohms
Operation Temp. Range	-55°C to +125°C

Parameter	Value
<i>Mechanical</i>	
SMA Connectors Mates with MIL-STD-348 Body Coupling Nut	Passive Stainless Steel Passive Stainless Steel
Conductors	Gold Plated Beryllium Copper or Brass
Bead Chain	Passive Stainless Steel

Model Number 3016B SMA Male Connector



Model Number 3016BC SMA Male Connector



How To Order

Model #: 3016BX

└ Style
= No chain
C = Chain

Order Examples

Model number: 3016BC
DC-18 GHz, SMA male, chain included

Model number: 3016B
DC-18 GHz, SMA male, no chain

**Dimensions in brackets are expressed in millimeters and are for reference only.

sales@am.spectrumcontrol.com

Approved for Release: November 2024/Brown

Spectrum Control reserves the right to make changes to datasheets at any time without notice.

Downloaded from Arrow.com