



ebm-papst St. Georgen GmbH & Co. KG
 Hermann-Papst-Str. 1
 D-78112 St. Georgen
 Phone +49 (0) 7724 81-0
 info2@de.ebmpapst.com
 www.ebmpapst.com

Nominal data

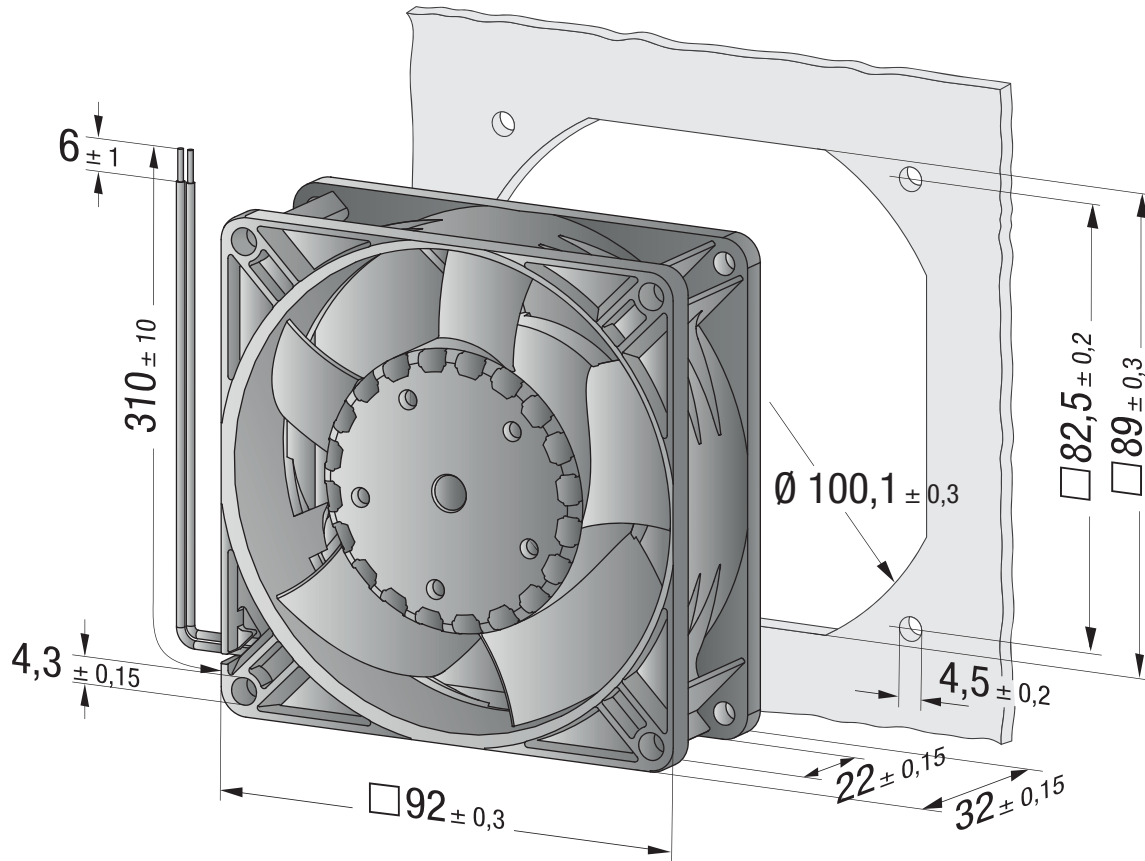
Item	3318 NH3	
Motor	-	
Nominal voltage	V	48
Nominal voltage range	V	36 .. 58
Speed (rpm)	min ⁻¹	4350
Power consumption	W	6.5
Min. ambient temperature	°C	-20
Max. ambient temperature	°C	75
Air flow	m ³ /h	133
Sound power level	B	6.0
Sound pressure level	dB(A)	50

ml = Max. load · me = Max. efficiency · fa = Free air · cs = Customer specification · ce = Customer equipment
 Subject to change

Technical description

Weight	0.19 kg
Dimensions	92 x 92 x 32 mm
Impeller material	Glass-fiber reinforced PA plastic
Housing material	Glass-fiber reinforced PBT plastic
Airflow direction	Exhaust over struts
Service life L10 at 40 °C	60.000 h
Service life L10 at maximum temperature	25.000 h

Product drawing



Curves

