

A-INL-PG7-P-GY - Counter nut



1411221

<https://www.phoenixcontact.com/us/products/1411221>

Please be informed that the data shown in this PDF document is generated from our online catalog. Please find the complete data in the user documentation. Our general terms of use for downloads are valid.

Counter nut, for threads Pg7, color: silver-gray RAL 7001



Commercial data

Item number	1411221
Packing unit	10 pc
Minimum order quantity	10 pc
Sales key	BF68
Product key	BF7DZX
Catalog page	Page 687 (C-2-2019)
GTIN	4046356923538
Weight per piece (including packing)	1.553 g
Weight per piece (excluding packing)	1.55 g
Customs tariff number	39269097
Country of origin	TR

A-INL-PG7-P-GY - Counter nut

1411221

<https://www.phoenixcontact.com/us/products/1411221>

Technical data

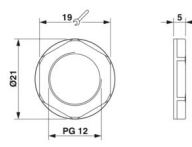
Product properties

Product type	Flat nut
Thread type	Pg7

Data management status

Article revision	00
------------------	----

Dimensions

Dimensional drawing	
Length	5 mm
Diameter	12.5 mm
Connecting thread diameter	12.5 mm
Wrench size, counter nut	19 mm
Hexagon angular dimension	21 mm
Thread type connection side	Pg7

Material specifications

Material	PA
Flammability rating according to UL 94	V2

Cable/line

Halogen-free	yes
--------------	-----

Environmental and real-life conditions

Ambient conditions

Ambient temperature (operation)	-40 °C ... 100 °C
---------------------------------	-------------------

A-INL-PG7-P-GY - Counter nut

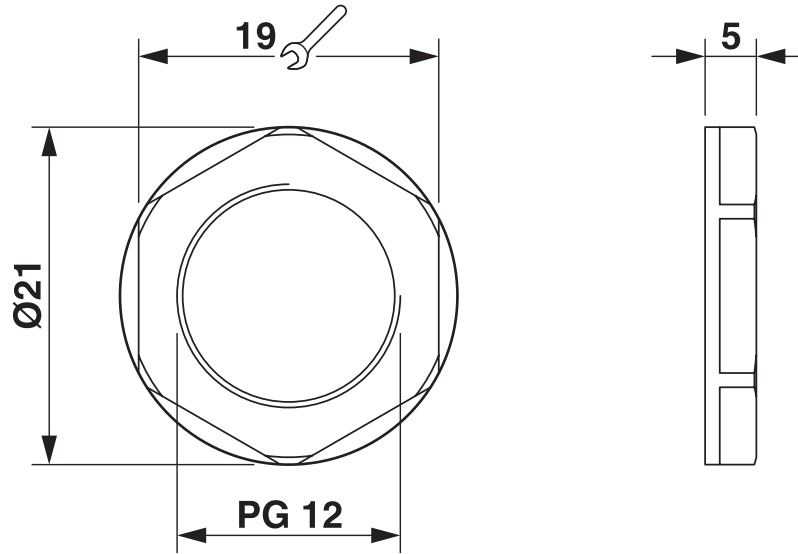
1411221

<https://www.phoenixcontact.com/us/products/1411221>



Drawings

Dimensional drawing



A-INL-PG7-P-GY - Counter nut



1411221

<https://www.phoenixcontact.com/us/products/1411221>

Classifications

ECLASS

ECLASS-11.0	27144424
ECLASS-13.0	27140807

ETIM

ETIM 9.0	EC000940
----------	----------

UNSPSC

UNSPSC 21.0	31161700
-------------	----------

A-INL-PG7-P-GY - Counter nut



1411221

<https://www.phoenixcontact.com/us/products/1411221>

Environmental product compliance

EU RoHS

Fulfills EU RoHS substance requirements	Yes, No exemptions
---	--------------------

China RoHS

Environment friendly use period (EFUP)	EFUP-E
	No hazardous substances above the limits

EU REACH SVHC

REACH candidate substance (CAS No.)	No substance above 0.1 wt%
-------------------------------------	----------------------------

Phoenix Contact 2024 © - all rights reserved
<https://www.phoenixcontact.com>

Phoenix Contact USA
586 Fulling Mill Road
Middletown, PA 17057, United States
(+717) 944-1300
info@phoenixcon.com