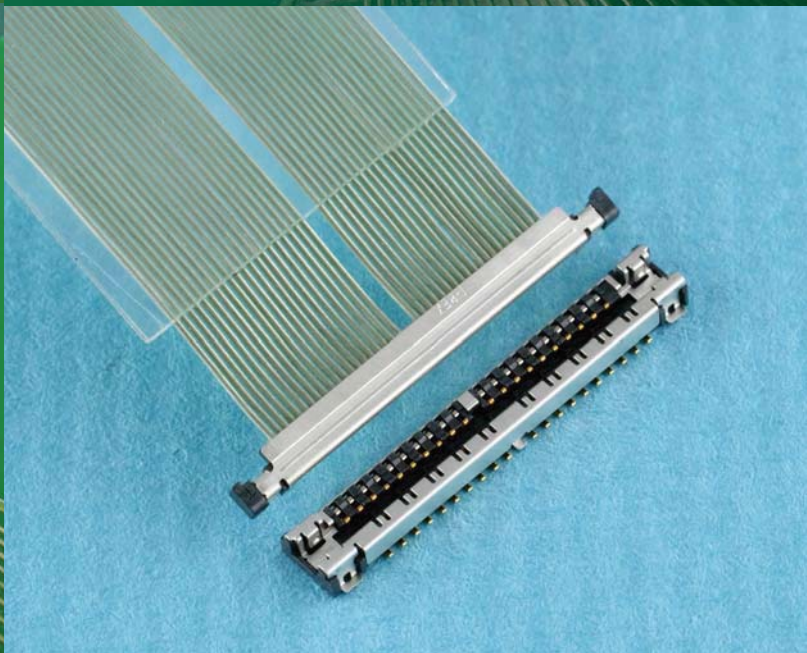
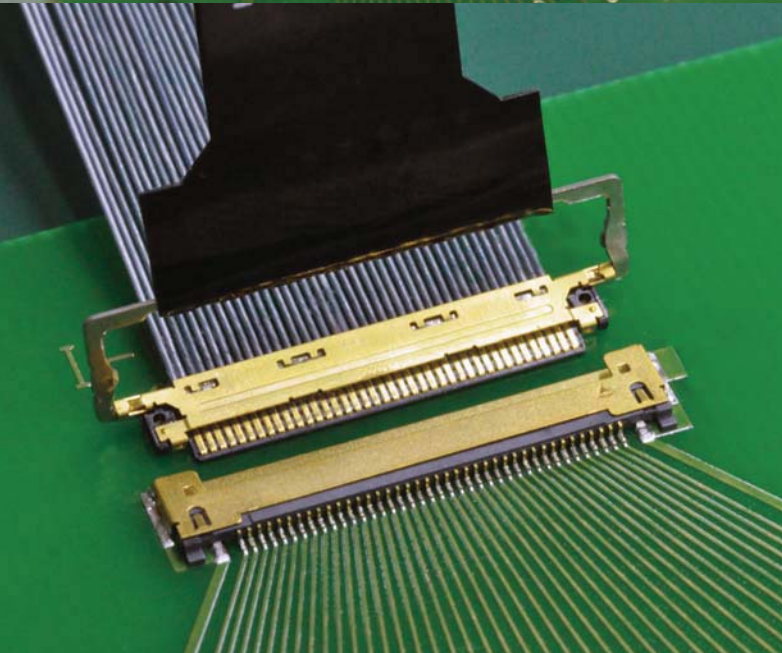
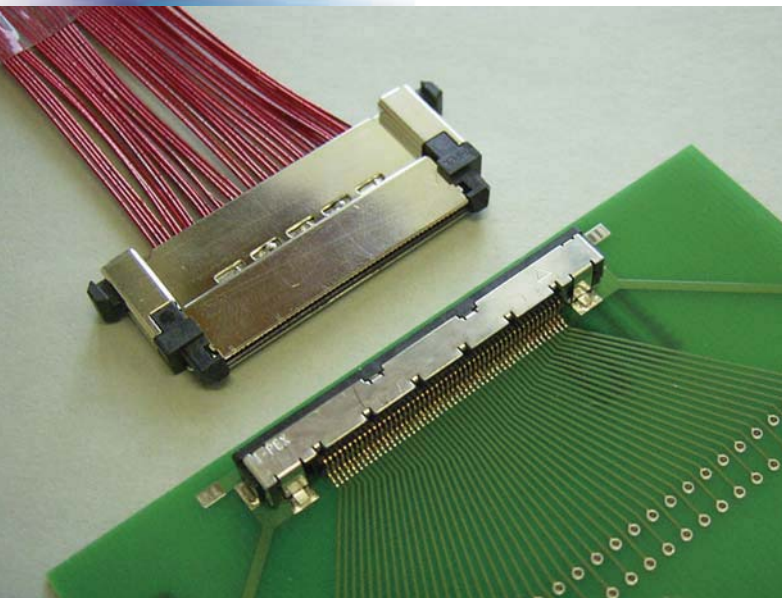


# Micro-Coax Connector CABLIN<sup>®</sup> Series







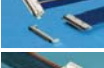




MICRO-COAX Cable  
TWINCOAX Cable  
DISCRETE Cable

**RoHS Compliance**



# CABLINE® Series product overview

## Micro-Coax Connector

Pitch (mm)	Photo	Product Name	Plug Prefix P/N	Rece Prefix P/N	Position (Pin)	Mating Height Max. (mm)	Mating Type
0.25		CABLINE®-UX II	20532 (Housing) 2799 (Metal cover)	20533	30, 34, 40, 50	1.10	V
0.3		CABLINE®-UA II	20497 (Housing) 2679 (Metal cover)	20498	26, 32, 40, 50	1.37	V
		CABLINE®-MS	20395 (Housing) 2280 (Metal cover)	20394	32, 40, 44, 50	1.81	V
0.4		CABLINE®-CA II	20680 (Housing) 3204 (Shell A) 20681 (Lock bar)	20682	20, 40	1.10	H
		CABLINE®-UB II	20502 (Housing) 2708 (Cover)	20501	34	0.90	V
		CABLINE®-CBL	20473 (Housing) 2618 (Shell A) 2619 (Latch bar)	20474	30, 40	0.975	H
		CABLINE®-CA	20634 (Housing) 2764 (Shell A) 2766 (Insulated pull bar)	20525	12, 20, 30, 40, 50, 60	1.10	H
		CABLINE® V	20346 (Housing) 2047 (Shell A)	20347	10, 15, 20, 25, 30, 35, 40	1.15	H
		CABLINE®-UB	20419 (Housing) 2452 (Cover)	20418	20, 30, 36, 40	1.20	V
		CABLINE®-SS	20373 (Housing) 2182 (Metal cover)	20374	10, 14, 20, 30, 32, 35, 40, 50	1.85	V
0.5		CABLINE®-VS	20454 (Housing) 2574 (Shell A) 2576 (Pull bar)	20455	20, 30, 40, 50	1.10	H
		CABLINE® IV	20326 (Housing) 1978 (Shell A)	20327	10, 30	1.10	H
		CABLINE® III	20248 (Housing) 1765 (Cable holder) 1767 (Metal cover)	20247	16	2.2	V
		CABLINE® II HT2	20410 (Housing) 2367 (Cover A)	20143	20, 30	2.45	H
		CABLINE® II HT1	20152 (Housing) 20153 (Cable holder)	20143	20, 30, 40, 50	2.45	H
		CABLINE® II VT5	20227 (Housing) 20153 (Cable holder) 1495 (TWINCOAX cable holder)	20228	20, 30, 40	5.7	V
		CABLINE® II VT4	20152 (Housing) 20153 (Cable holder)	20198	20, 40	8.60	V
		CABLINE®-TL	20422 (Housing) 2453 (Cover B)	20423	21, 31, 41, 51	4.15 17.25	H V
1.0		CABLINE®-G	20229 (Housing) 1720 (Cable holder)	20268	14, 20	1.7	H
		CABLINE®-FX II	20338, 20340, 20386 (Housing) 2030 (Shell)	20389	30	2.45	H
1.25		CABLINE®-F	20199 (Housing) 1653 (Cable holder)	20186	20	2.2	H

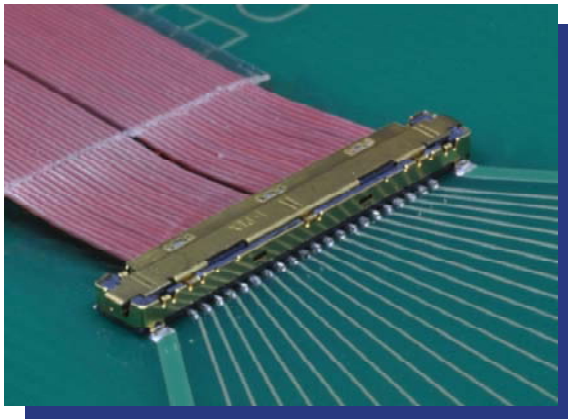
## Shield FPC Connector

0.5		CABLINE®-VSF	3049-0**1 (Shell)	20455	40	1.1	H
-----	---	--------------	-------------------	-------	----	-----	---

Type - H : Horizontal mating type V : Vertical mating type

# CABLIN<sup>®</sup>-UX II

0.25mm Pitch Right Angle Stacking Type



- Mating Height : MAX. 1.1mm
- Depth : 2.4mm Super Small Connector
- Easy operation by appropriate click feeling and stable transmission by strong ground structure are remarkable points
- **W-Point** Contact with High mating reliability
- Soldering connection

## 【Number of Position】

30p, 34p, 40p, 50p

## 【Ordering Code】

PLUG Connector Set (for Cable)

Parts Ordering (HOUSING)

**20532- 0 \*\* T - 02**  
 ① ②

Parts Ordering (Metal Cover)

**2799- 0 \*\* 1**  
 ①

RECEPTACLE Connector Set  
 (for PC Board)

**20533- 0 \*\* E**  
 ① ②

## 【Applicable Cable Size】

Micro Coax	AWG #44 (Small Diameter) AWG #46
------------	-------------------------------------

①	POS.	<b>30:</b> 30pos <b>34:</b> 34pos <b>40:</b> 40pos <b>50:</b> 50pos
②	Packaging	<b>T</b> Tray

①	POS.	<b>30:</b> 30pos <b>34:</b> 34pos <b>40:</b> 40pos <b>50:</b> 50pos
②	Packaging	<b>E</b> Emboss Tape

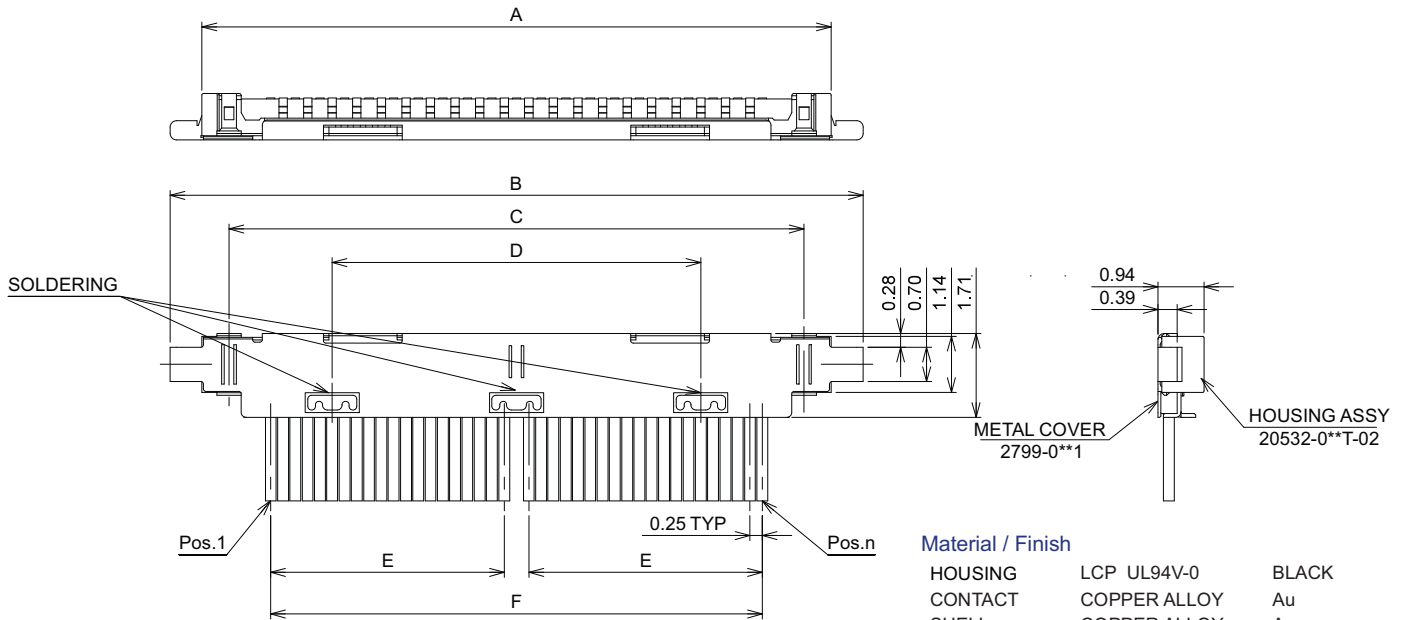
## 【Recommended P/N】

POS.	HOUSING	Metal Cover	PLUG Set	RECEPTACLE
30	20532-030T-02	2799-0301	20531-030T-02	20533-030E
34	20532-034T-02	2799-0341	20531-034T-02	20533-034E
40	20532-040T-02	2799-0401	20531-040T-02	20533-040E
50	20532-050T-02	2799-0501	20531-050T-02	20533-050E

**PLUG**

Set P/N: 20531-0\*\*T-02

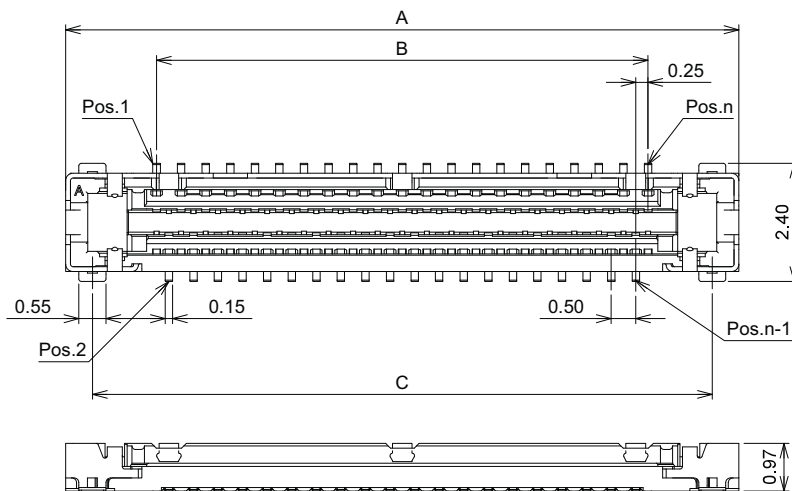
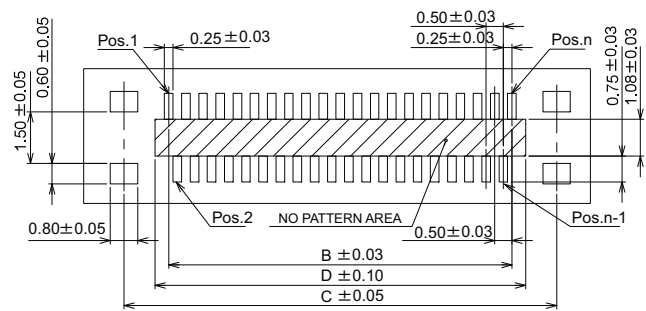
POS.	A	B	C	D	E	F
30	10.3	11.6	9.2	5.0	3.5	7.5
34	11.3	12.6	10.2	6.0	4.0	8.5
40	12.8	14.1	11.7	7.5	4.75	10.0
50	15.3	16.6	14.2	10.0	6.0	12.5



**RECEPTACLE**

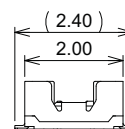
20533-0\*\*E

POS.	A	B	C	D
30	11.20	7.50	10.11	8.30
34	12.20	8.50	11.11	9.30
40	13.70	10.00	12.61	10.80
50	16.20	12.50	15.11	13.30



Material / Finish

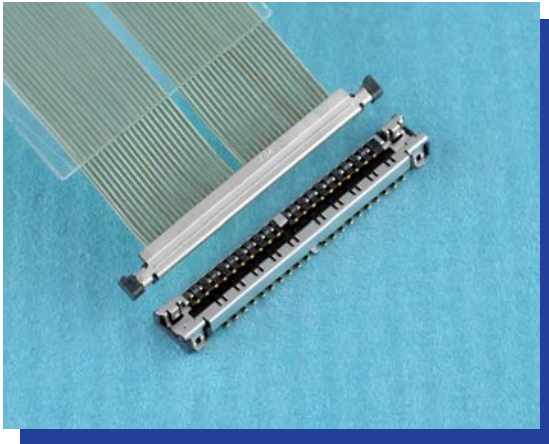
HOUSING	LCP UL94V-0	BLACK
CONTACT	COPPER ALLOY	Au
SHELL	COPPER ALLOY	Au



# CABLIN<sup>®</sup>-UA II

0.3mm Pitch

Right Angle Stacking Type



- This is super small vertical mating type connector for small hinge assembly after cable termination
- Mating Height : 1.27mm
- Applicable Cable Size : Micro Coax  
AWG#46, AWG#44, AWG#42(Small diameter)
- W-Point Contact with High mating reliability
- Stable grounding characteristic by multi point ground structure
- Soldering connection

## 【Number of Position】

26p, 32p, 40p, 50p

## 【Ordering Code】

PLUG Connector Set (for Cable)

Parts Ordering (HOUSING)

**20497- 0 \*\* T - 30**  
① ②

Parts Ordering (Metal Cover)

**2679-0 \*\* - \*\***  
① ③

RECEPTACLE Connector Set  
(for PC Board)

**20498- 0 \*\* E - \* \***  
① ② ③ ④

## 【Applicable Cable Size】

Micro Coax	AWG #42 (Small Diameter) AWG #44, #46
------------	--

①	POS.	26: 26pos 32: 32pos 40: 40pos 50: 50pos	
②	Packaging	T	Tray
③	METAL COVER Finish	00	Au
		10	Sn

①	POS.	26: 26pos 32: 32pos 40: 40pos 50: 50pos	
②	Packaging	E	Emboss Tape
③	SHELL Plating	3	Au
		4	Sn
④	VACUUM CLIP	0	Without
		1	With

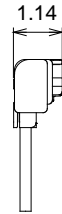
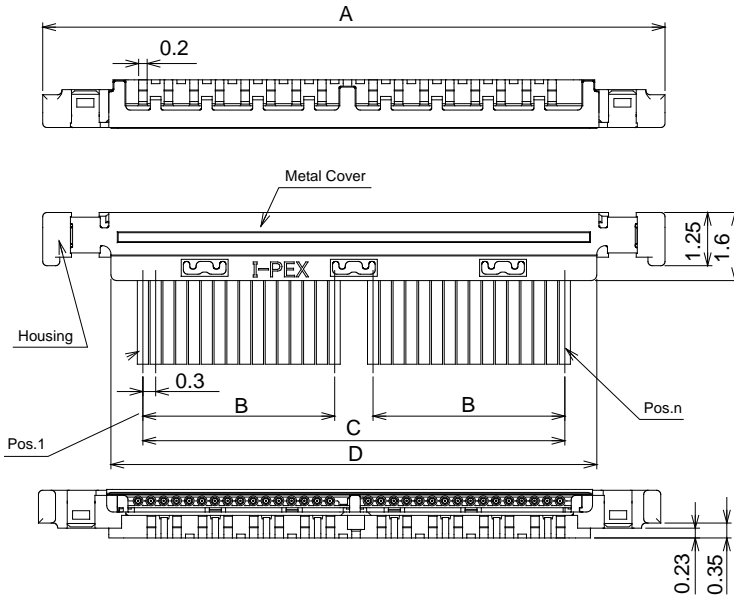
## 【Recommended P/N】

POS.	HOUSING	Metal Cover	PLUG Connector Set	RECEPTACLE
26	20497-026T-30	2679-026-10	20496-026-40	20498-026E-41
32	20497-032T-30	2679-032-10	20496-032-40	20498-032E-41
40	20497-040T-30	2679-040-10	20496-040-40	20498-040E-41
50	20497-050T-30	2679-050-10	20496-050-40	20498-050E-41

**PLUG**

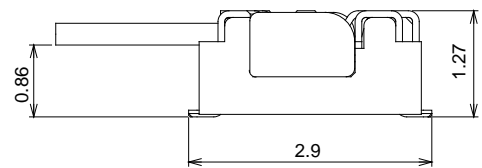
Set P/N: 20496-0\*\*-\*\*

POS.	A	B	C	D
26p	12.8	3.6	8.1	9.6
32p	14.6	4.5	9.9	11.4
40p	17.0	5.7	12.3	13.8
50p	20.0	7.2	15.3	16.8



Material / Finish

HOUSING	LCP UL94V-0	BLACK
CONTACT	COPPER ALLOY	Au
SHELL	COPPER ALLOY	Au or Ni
METAL COVER	STAINLESS STEEL	Au or Sn



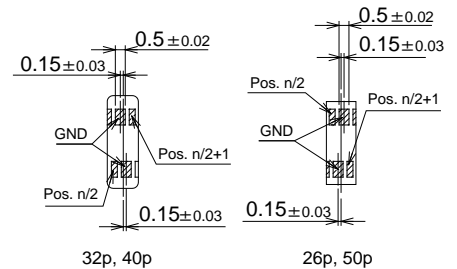
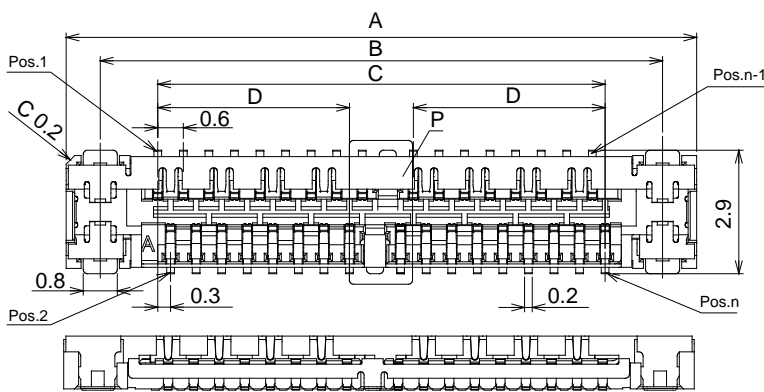
MATED VIEW

**RECEPTACLE**

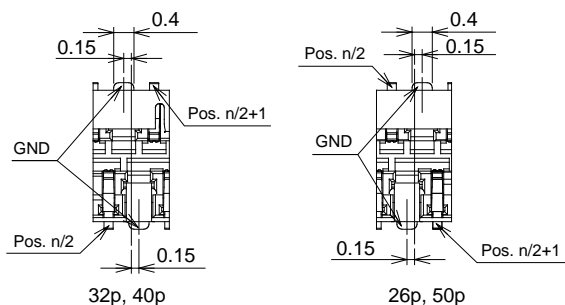
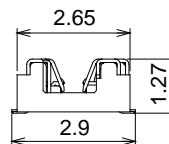
POS.	Part NO.	A	B	C	D
26p	20498-026E-**	12.4	10.8	8.1	3.6
32p	20498-032E-**	14.2	12.6	9.9	4.5
40p	20498-040E-**	16.6	15.0	12.3	5.7
50p	20498-050E-**	19.6	18.0	15.3	7.2

Material / Finish

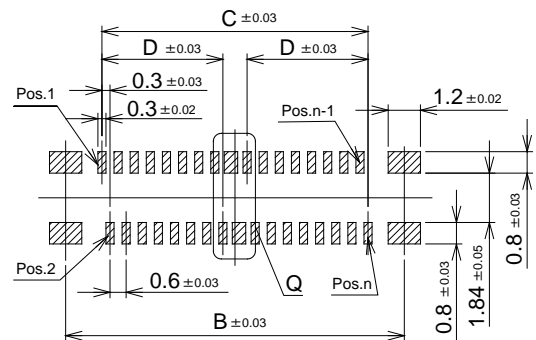
HOUSING	LCP UL94V-0	BLACK
CONTACT	COPPER ALLOY	Au
SHELL	COPPER ALLOY	Au or Sn



Detail.Q



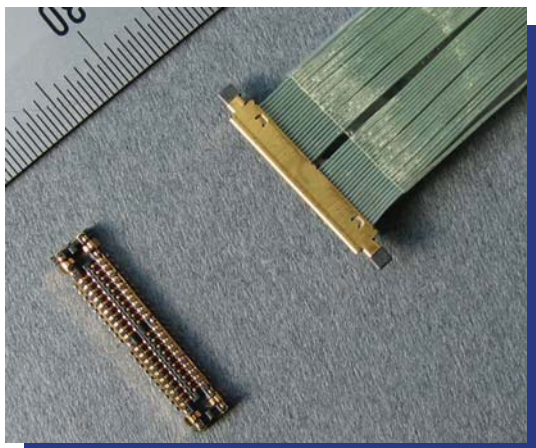
Detail.P



RECOMMENDED FOOTPRINT PATTERN

# CABLIN<sup>®</sup>-MS

## 0.3mm Pitch Right Angle Stacking Type



- Mating Height : 1.6mm
- Applicable Cable Size : Micro Coax AWG #44, #42
- **W-Point** Contact with High mating reliability
- 2.35mm Wide Slim PLUG Going through Small Hinge Hole after Cabling
- Easy Mating Operation with PLUG Guide Part-Design
- Soldering connection

### 【Number of Position】

32p, 40p, 44p, 50p

### 【Ordering Code】

PLUG Connector Set (for Cable)

Parts Ordering (HOUSING)

**20395- 0 \*\* T - \*\***  
                   ① ② ③

Parts Ordering (METAL COVER)

**2280-0 \*\* - \*\***  
                   ① ④

RECEPTACLE Connector Set  
(for PC Board)

**20394- 0 \*\* E - \* \***  
                   ① ② ③④

### 【Applicable Cable Size】

Micro Coax	AWG #44 ( 32p, 40p, 44p, 50p )
	AWG #42 ( 40p, 44p, 50p )

①	POS.	32: 32pos 40: 40pos 44: 44pos 50: 50pos	
②	Packaging	T	
③	Applicable Cable Size	NON	32p, 40p (AWG#44対応), 44p, 50p
		04	40p ( AWG#42 conform )
④	METAL COVER Finish	01	Sn ( only 32p, 40p )
		02	Au

①	POS.	32: 32pos 40: 40pos 44: 44pos 50: 50pos	
②	Packaging	E	Emboss Tape
③	Nickel Barrier	0	Without
		1	With
④	SHELL Finish VACUUM CLIP (V/C)	1	Sn ( With V/C ) ※32p, 40p Only
		2	Au ( With V/C )
		3	Sn ( Without V/C ) ※32p, 40p Only
		4	Au ( Without V/C ) ※40p, 44p Only

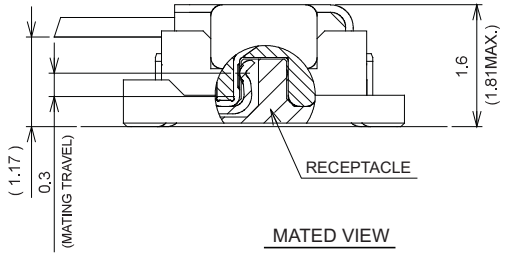
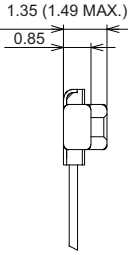
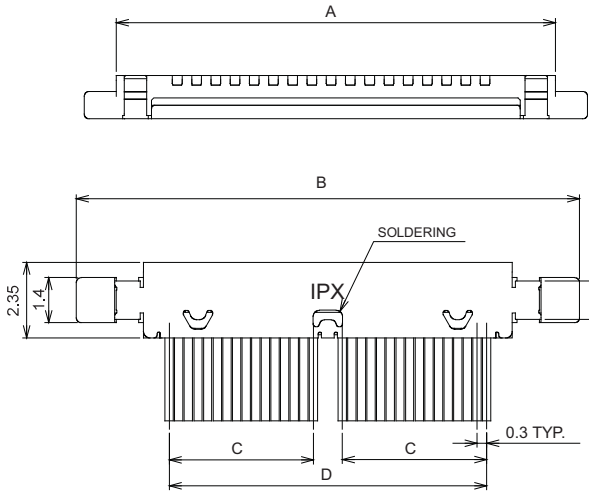
### 【Recommended P/N】

POS.	HOUSING	Metal Cover	PLUG Set	RECEPTACLE
32	20395-032T	2280-032-02	20396-032T-02	20394-032E-12
40	20395-040T	2280-040-02	20396-040T-02	20394-040E-12
44	20395-044T	2280-044-02	20396-044T-02	20394-044E-12
50	20395-050T	2280-050-02	20396-050T-02	20394-050E-12

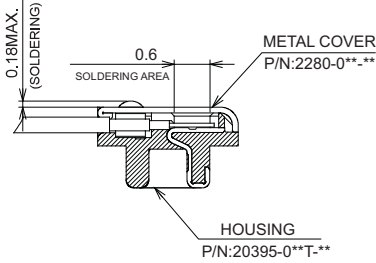
**PLUG**

Set P/N:20396-0\*\*T-\*\*

POS.	A	B	C	D
32p	13.7	15.7	4.5	9.9
40p	16.1	18.1	5.7	12.3
44p	17.3	19.3	6.3	13.5
50p	19.1	21.1	7.2	15.3



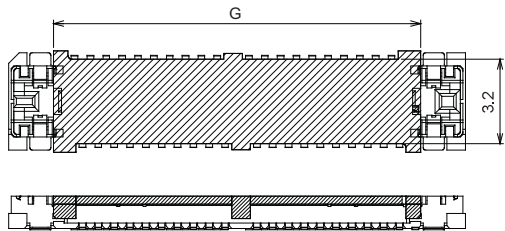
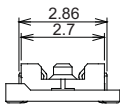
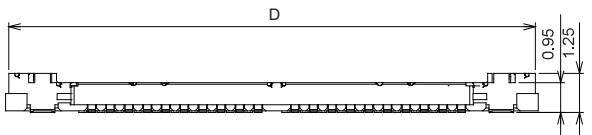
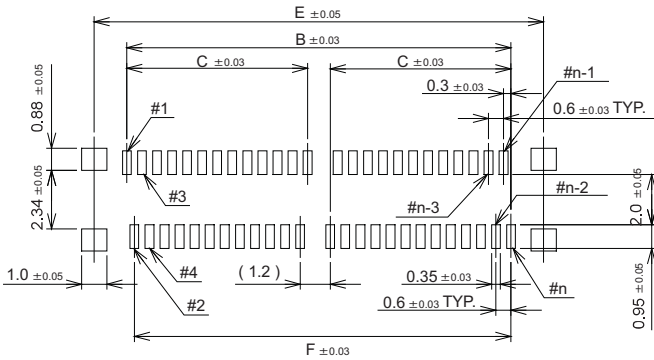
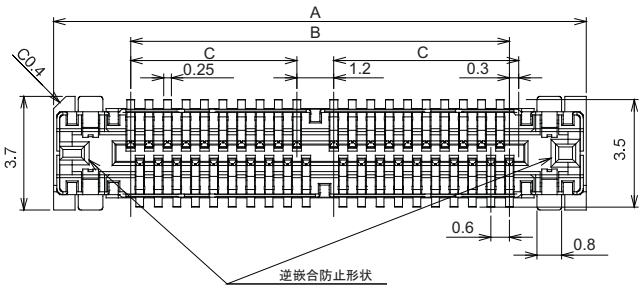
**Material / Finish**  
 HOUSING LCP UL94V-0 BLACK  
 CONTACT COPPER ALLOY Au  
 METAL COVER COPPER ALLOY Sn or Au



**RECEPTACLE**

POS.	PART NO.	A	B	C	D	E	F	G
32p	20394-032E-**	14.9	9.9	4.2	14.7	12.5	9.6	11.5
40p	20394-040E-**	17.3	12.3	5.4	17.1	14.9	12.0	13.9
44p	20394-044E-**	18.5	13.5	6.0	18.3	16.1	13.2	15.1
50p	20394-050E-**	20.3	15.3	7.2	20.1	17.9	15.0	16.9

**Material / Finish**  
 HOUSING LCP UL94V-0 BLACK  
 CONTACT COPPER ALLOY Au  
 SHELL COPPER ALLOY Sn or Au  
 VACUUM CLIP LCP UL94V-0 BLACK



WITH VACUUM CLIP

# CABLINE®-CA II

## 0.4mm Pitch Horizontal Type with Shield Cover over Solder Tails



Photo-1 : Before mating

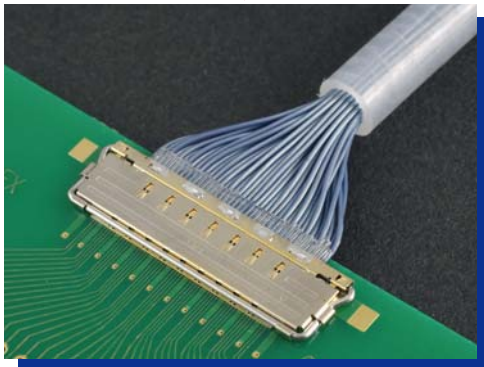


Photo-2 : After mating

### 【Feature】

- Number of Position : 20P, 40P (Planned 30p, 50p, 60p)
- Mating Height : 1.1mm max.
- Very High Data Rate Transfers
- Integrated EMI cover for WiFi and LTE isolation
- Reliable W-Point Contact
- Anti-reverse mating design
- Physical locking cover stops back-out/un-mating
- Acceptable Wire :
  - Micro-coax 45Ω AWG#38
  - Micro-coax 50Ω AWG#40, #42, #44
  - Twincoax AWG#40
  - Discrete wire less than φ0.4mm
- CABLINE®-CA Receptacle fits on CABLINE®-CA II Pad Layout

### 【Ordering Code】

PLUG Connector Set (for Cable)

HOUSING

**20680- 0 \*\* T-01**  
① ②

SHELL A

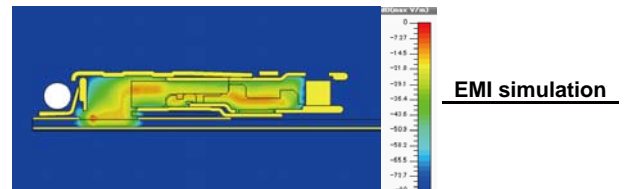
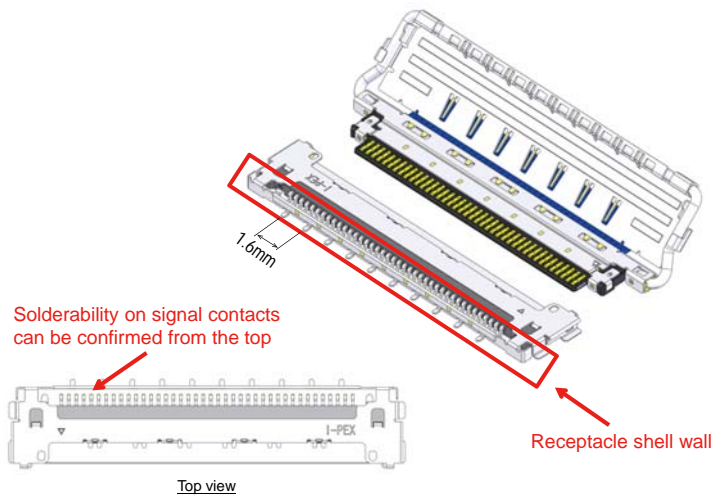
**3204- 0 \*\* 1**  
①

Lock bar ass'y

**20681- 0 \*\* T-01**  
① ②

RECEPTACLE Connector (for PC Board)

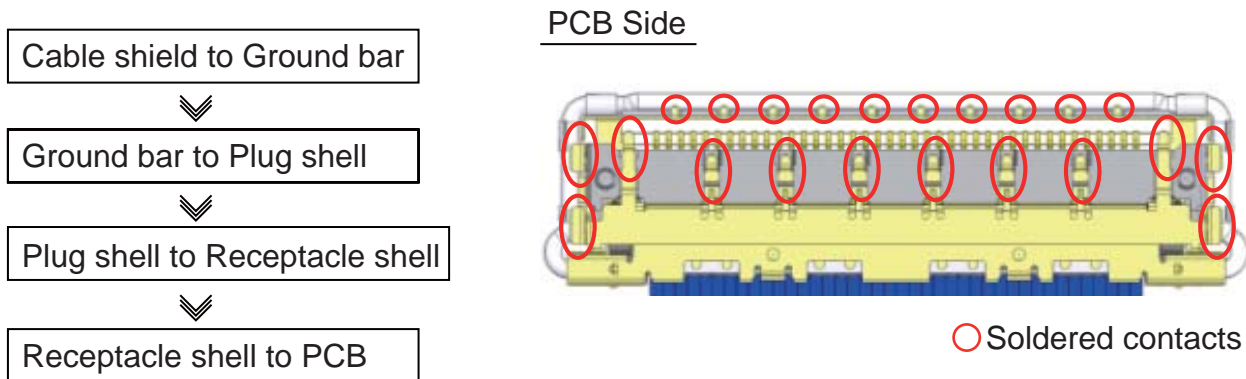
**20682- 0 \*\* E - 02**  
① ②



①	POS	<b>20: 20pos 40: 40pos</b>	
②	Packaging	T	Tray
		E	Emboss Tape

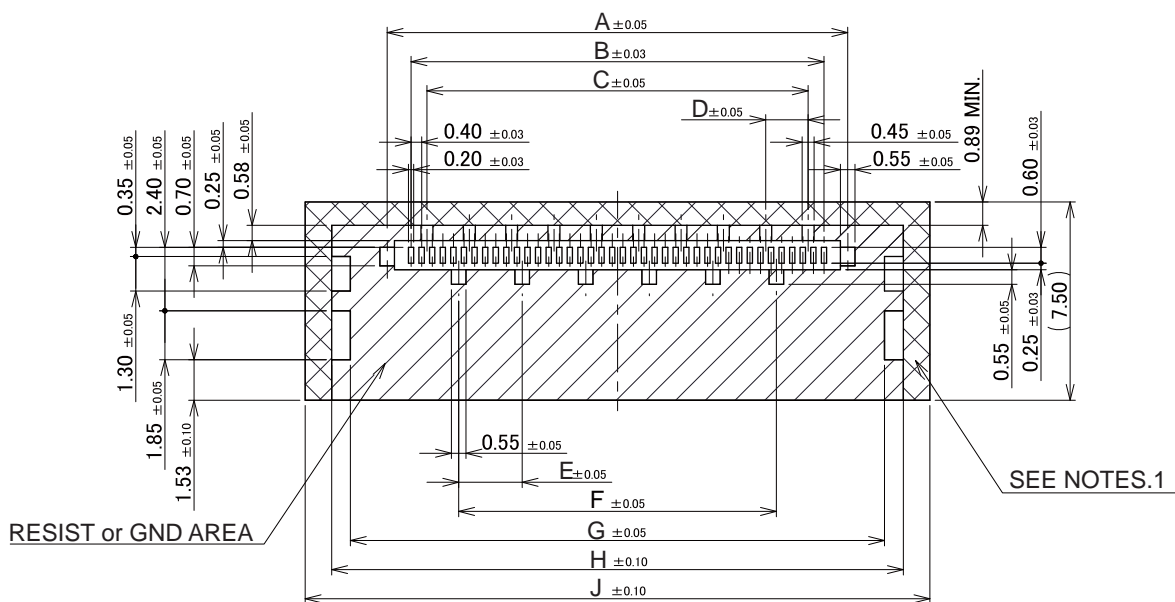
### 【Recommended P/N】

POS.	HOUSING	SHELL A	LOCK BAR	PLUG Set	RECEPTACLE
20	20680-020T-01	3204-0201	20681-020T-01	20679-020T-01	20682-020E-02
40	20680-040T-01	3204-0401	20681-040T-01	20679-040T-01	20682-040E-02



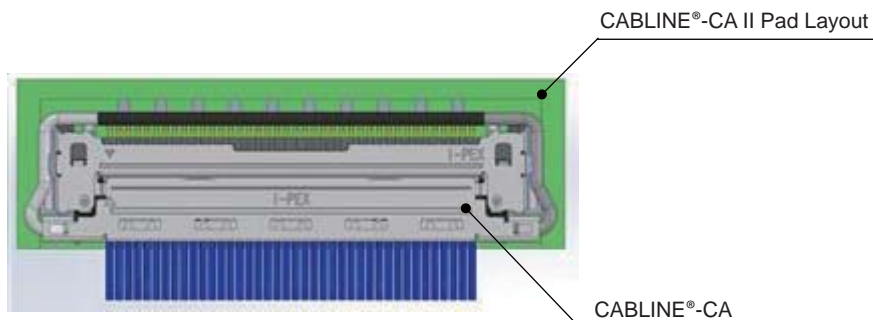
**Fig.1 Multiple Grounding Paths provides clean-clear signals**

POS.	A	B	C	D	E	F	G	H	J
20	9.40	7.60	5.60	2.00	2.40	4.80	12.18	13.60	15.60
40	17.40	15.60	14.40	1.60	2.40	12.00	20.18	21.60	23.60



NOTES.1  
This area cannot mount another components.

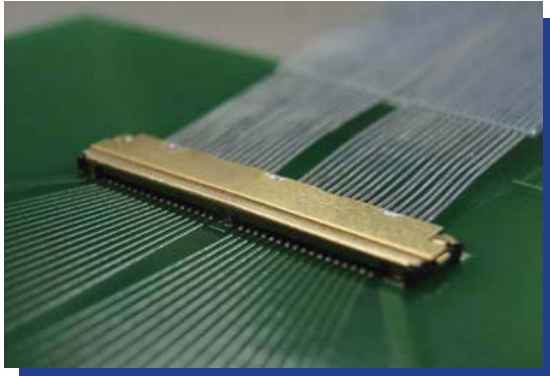
**Fig.2 CABLINE®-CA II Pad Layout**



**Fig.3 CABLINE®-CA Receptacle fits on CABLINE®-CAII Pad Layout**

# CABLIN<sup>®</sup>-UB II

0.4mm Pitch Right Angle Stacking Type



- Mating Height: 0.8mm
- Applicable Cable Size:  
Micro Coax AWG#46, #44, #42(Small diameter)
- **W-Point** Contact with High mating reliability
- Stable grounding characteristic by multi point ground structure
- Effective cable termination design for compact design connector
- Soldering connection

## 【Number of Position】

34p

## 【Ordering Code】

PLUG Connector Set (for Cable)

Parts Ordering (HOUSING)

**20502- 034 T**  
①

Parts Ordering (Cover)

**2708-034**

RECEPTACLE Connector Set  
(for PC Board)

**20501- 034 E**  
①

## 【Applicable Cable Size】

Micro Coax	AWG #42(Small Diameter), AWG #44, #46
------------	--

①	Packaging	T	Tray
---	-----------	---	------

①	Packaging	E	Emboss Tape
---	-----------	---	-------------

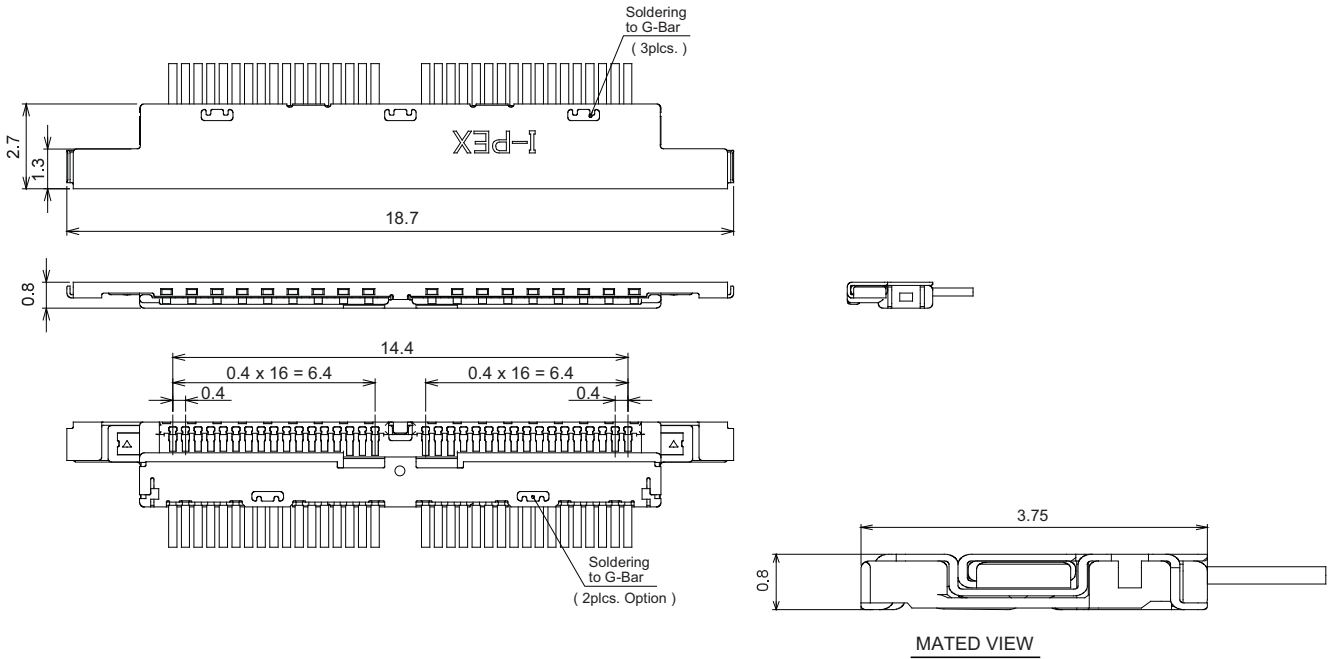
## 【Material / Finish】

Product	Parts	Material	Plating / Color
PLUG	HOUSING	LCP UL94V-0	BLACK
	CONTACT	COPPER ALLOY	Au
	SHELL	STAINLESS STEEL	Au
	COVER	STAINLESS STEEL	Au
RECEPTACLE	HOUSING	LCP UL94V-0	BLACK
	CONTACT	COPPER ALLOY	Au
	SHELL	STAINLESS STEEL	Au

**PLUG**

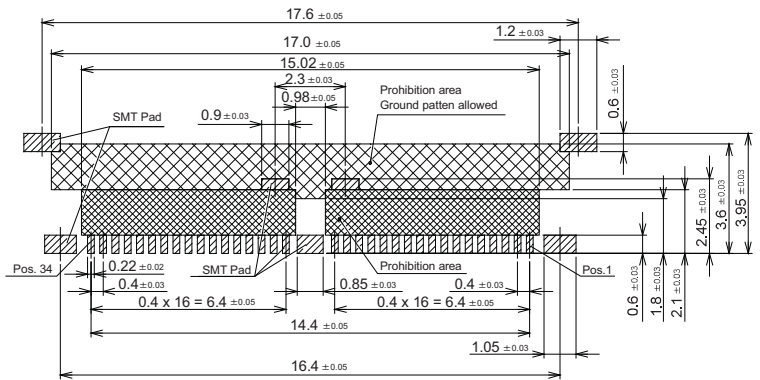
Set P/N: 20506-034T

POS.	HOUSING	Cover
34p	20502-034T	2708-034

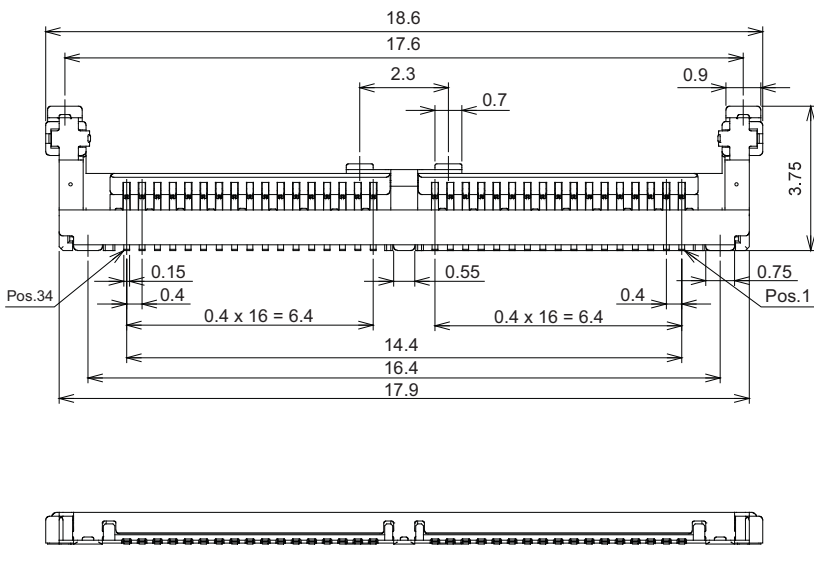


**RECEPTACLE**

POS.	Part NO.
34p	20501-034E



RECOMMENDED FOOTPRINT PATTERN



# CABLIN<sup>®</sup>-CBL

0.4mm Pitch Horizontal Type



- Mating Height : MAX. 0.975mm
- Improved transmission efficiency, High level EMI shield performance and multi point ground
- **W-Point** Contact with High mating reliability
- Anti-reverse mating design
- Locking bar prevents accidental unmating (Option)
- Soldering connection

## 【Number of Position】

30p, 40p

## 【Ordering Code】

PLUG Connector Set (for Cable)

Parts Ordering (HOUSING)

**20473-0 \*\* T - 10**  
 ① ②

Parts Ordering (SHELL A)

**2618-0 \*\* 1**  
 ①

Parts Ordering (Latch bar)

**2619-0 \*\* 0**  
 ①

RECEPTACLE Connector Set  
 (for PC Board)

**20474-0 \*\* E - 1 \***  
 ① ② ③

## 【Applicable Cable Size】

Micro Coax	AWG #40, #42, #44 (AWG #36 : Power Only)
DISCRETE	AWG #36

①	POS.	30: 30pos 40: 40pos	
②	Packaging	T	Tray

①	POS.	30: 30pos 40: 40pos	
②	Packaging	E	Emboss Tape
③	BOSS	1	With
		2	Without

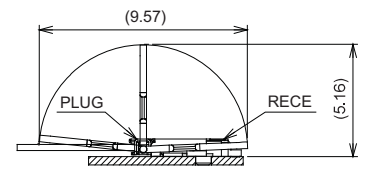
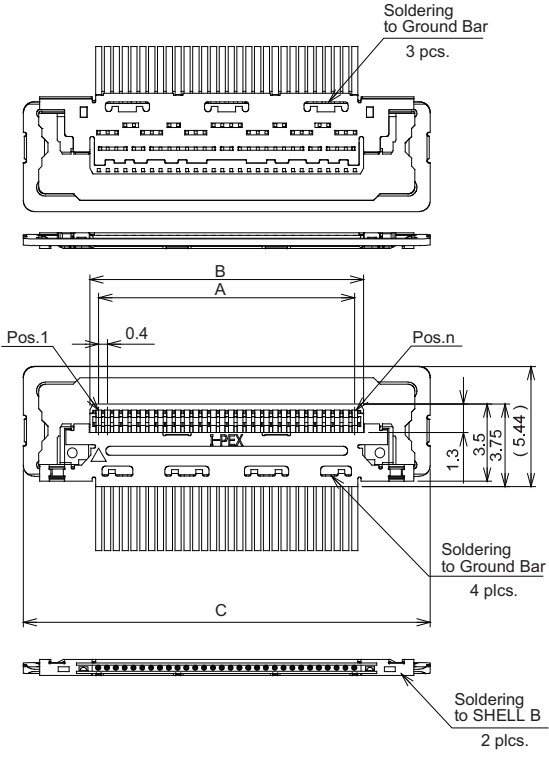
## 【Recommended P/N】

POS.	HOUSING	SHELL A	Latch Bar	PLUG Set	RECEPTACLE
30	20473-030T-10	2618-0301	2619-0300	20472-030T-20	20474-030E-12
40	20473-040T-10	2618-0401	2619-0400	20472-040T-20	20474-040E-12

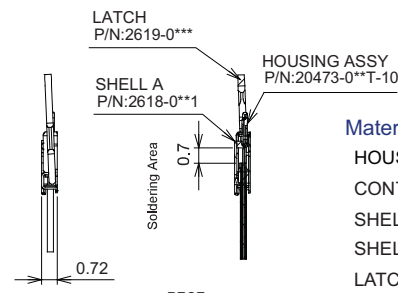
**PLUG**

Set P/N: 20472-0\*\*T-\*\*

POS.	A	B	C
30p	11.6	12.4	18.44
40p	15.6	16.4	22.44

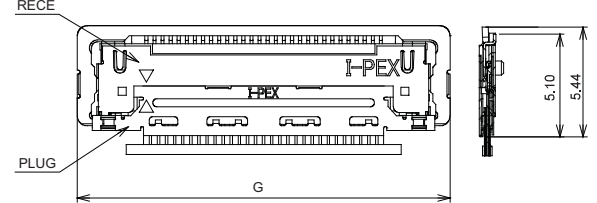


LATCH MOVEMENTS



**Material / Finish**

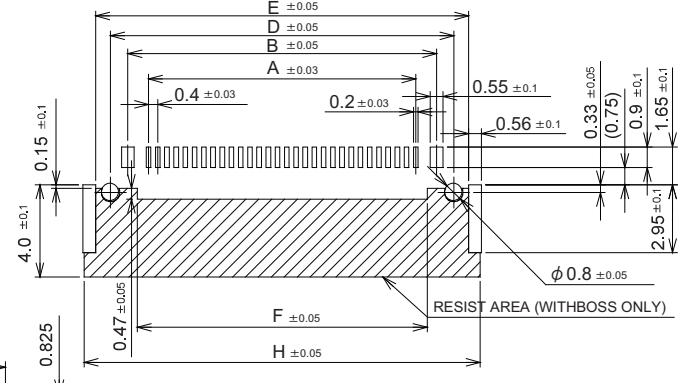
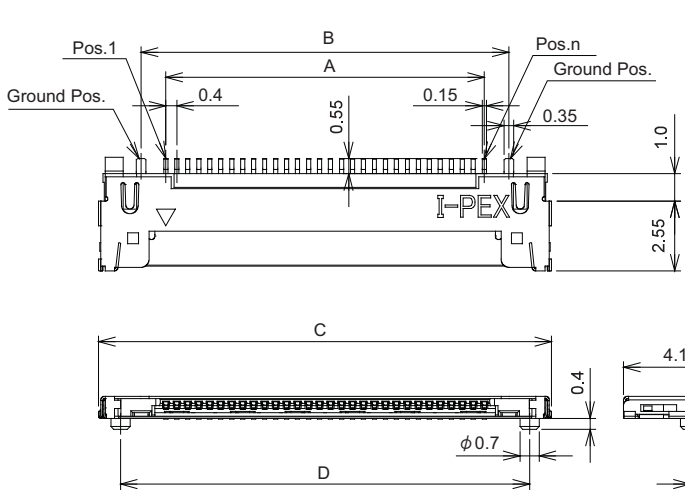
HOUSING	LCP UL94V-0	BLACK
CONTACT	COPPER ALLOY	Au
SHELL A	COPPER ALLOY	Au
SHELL B	COPPER ALLOY	Au
LATCH BAR	STAINLESS STEEL	



MATED VIEW

**RECEPTACLE**

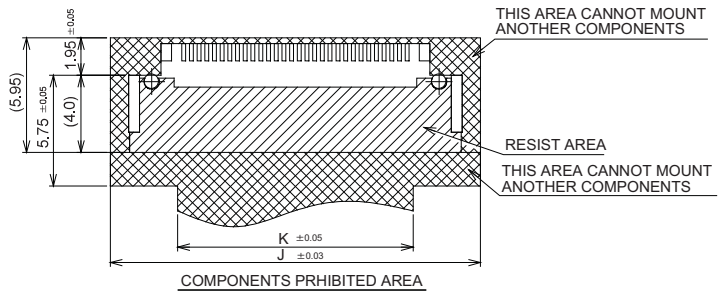
POS.	A	B	C	D	E	F	G	H	J	K
30p	11.6	13.4	16.5	14.9	16.18	12.59	18.44	17.2	19.2	12.2
40p	15.6	17.4	20.5	18.9	20.18	16.59	22.44	21.2	23.2	16.2



RECOMMENDED FOOTPRINT PATTERN

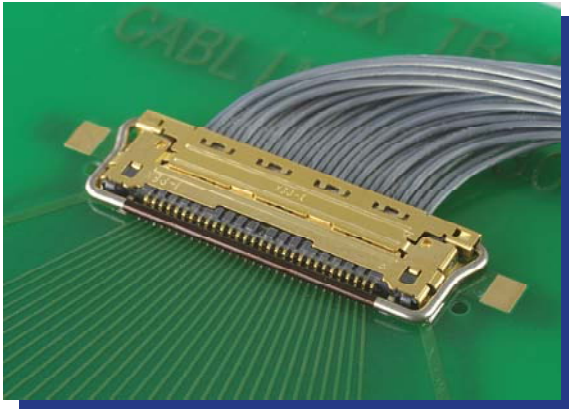
**Material / Finish**

HOUSING	LCP UL94V-0	BLACK
CONTACT	COPPER ALLOY	Au
SHELL	COPPER ALLOY	Au



# CABLIN<sup>®</sup>-CA

## 0.4mm Pitch Horizontal Type



- Mating Height : MAX. 1.1mm
- Improved transmission efficiency, High level EMI shield performance and multi point ground
- **W-Point** Contact with High mating reliability
- Anti-reverse mating design
- Locking bar prevents accidental unmating (Option)
- Soldering connection

### 【Number of Position】

12p, 20p, 30p, 40p, 50p, 60p

### 【Ordering Code】

PLUG Connector Set (for Cable)

Parts Ordering (HOUSING)

**20634- 1 \*\* T-02**

① ②

Parts Ordering (SHELL A)

**2764- 0 \*\* 1 - ###**

① ③

Parts Ordering (Pull bar)

**2766- 0 \*\* 1**

①

RECEPTACLE Connector Set  
(for PC Board)

**20525- 0 \*\* E - 0 #**

① ② ③

### 【Applicable Cable Size】

Micro Coax	AWG #36(Power Only), #40, #42, #44
TWINCOAX	AWG #40
DISCRETE	AWG #34, #36

PLUG	①	POS	12: 12pos 20: 20pos 30: 30pos 40: 40pos 50: 50pos 60: 60pos	
	②	Packaging	T	Tray
	③	Plating	-	Au : 50pos
002			Au : 12pos, 20pos, 30pos, 40pos, 60pos	

RECE	①	POS	12: 12pos 20: 20pos 30: 30pos 40: 40pos 50: 50pos 60: 60pos	
	②	Packaging	E	Emboss Tape
	③	BOSS	1	With
2			Without	

### 【Recommended P/N】

POS.	HOUSING	SHELL A	PULL BAR	PLUG Set	RECEPTACLE
12	20634-112T-02	2764-0121-002	2766-0121	20633-212T-01S	20525-012E-02
20	20634-120T-02	2764-0201-002	2766-0201	20633-220T-01S	20525-020E-02
30	20634-130T-02	2764-0301-002	2766-0301	20633-230T-01S	20525-030E-02
40	20634-140T-02	2764-0401-002	2766-0401	20633-240T-01S	20525-040E-02
50	20634-150T-02	2764-0501	2766-0501	20633-050T-01S	20525-050E-02
60	20634-160T-02	2764-0601-002	2766-0601	20633-260T-01S	20525-060E-02

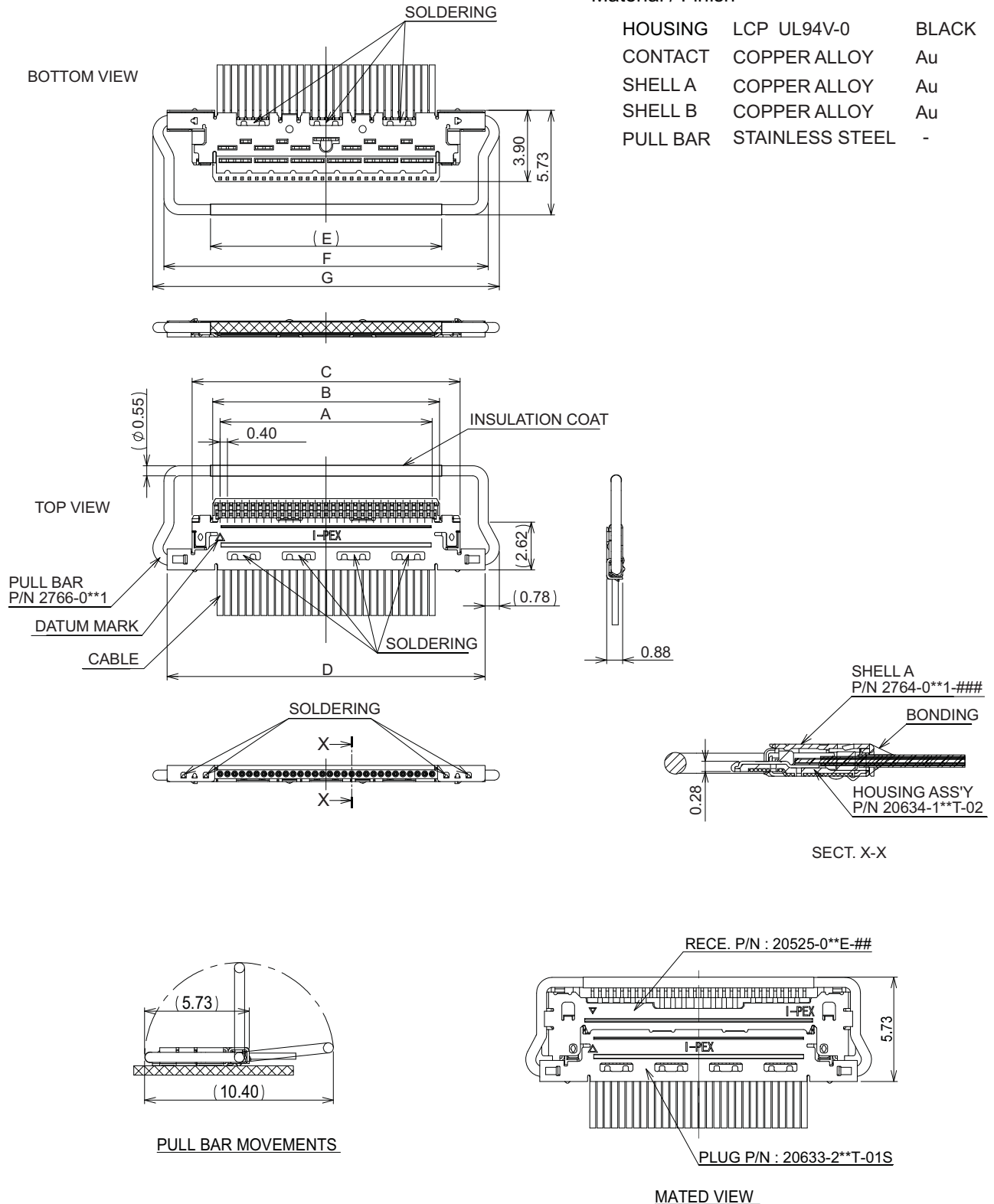
**PLUG**

Set P/N:20633-2\*\*T-01S

POS.	A	B	C	D	E	F	G
12	4.40	5.20	7.46	10.20	5.45	10.55	11.75
20	7.60	8.40	10.66	13.40	8.65	13.75	14.95
30	11.60	12.40	14.66	17.40	12.65	17.75	18.95
40	15.60	16.40	18.66	21.40	16.65	21.75	22.95
50	19.60	20.40	22.66	25.40	20.65	25.75	26.95
60	23.60	24.40	26.66	29.40	24.65	29.75	30.95

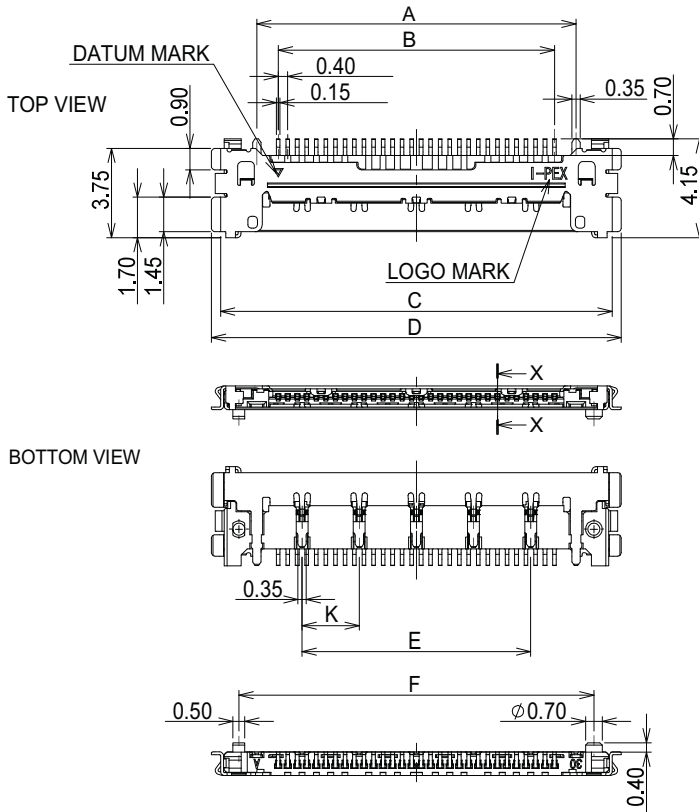
Material / Finish

HOUSING	LCP UL94V-0	BLACK
CONTACT	COPPER ALLOY	Au
SHELL A	COPPER ALLOY	Au
SHELL B	COPPER ALLOY	Au
PULL BAR	STAINLESS STEEL	-



# RECEPTACLE

POS.	A	B	C	D	E	F	G	H	J	K
12	6.20	4.40	9.23	10.00	2.40	7.70	8.98	10.40	12.40	-
20	9.40	7.60	12.43	13.20	4.80	10.90	12.18	13.60	15.60	2.40
30	13.40	11.60	16.43	17.20	9.60	14.90	16.18	17.60	19.60	2.40
40	17.40	15.60	20.43	21.20	12.00	18.90	20.18	21.60	23.60	2.40
50	21.40	19.60	24.43	25.20	16.80	22.90	24.18	25.60	27.60	2.80
60	25.40	23.60	28.43	29.20	19.20	26.90	28.18	29.60	31.60	3.20

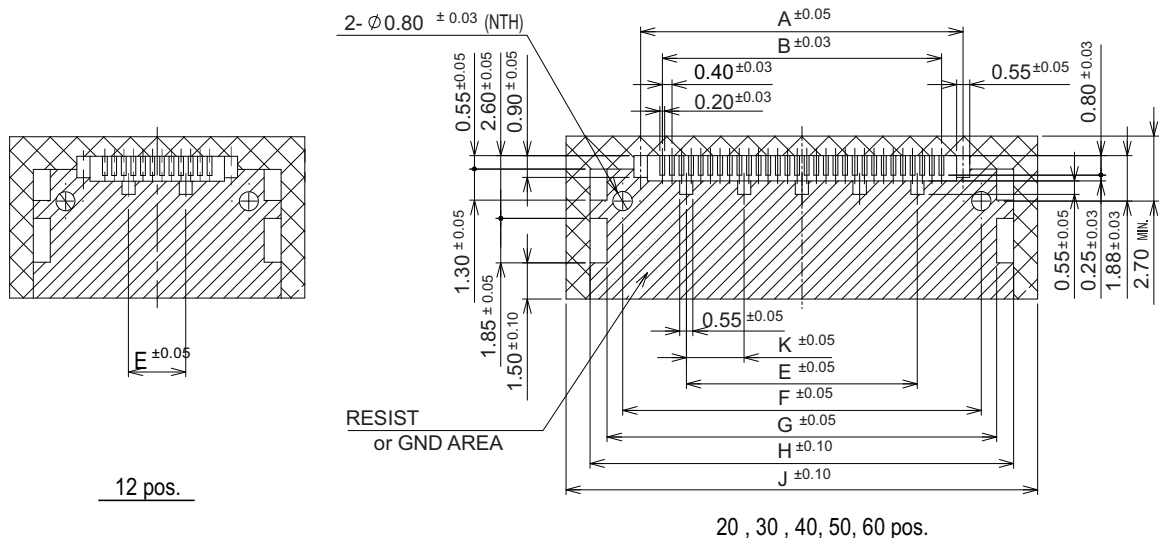
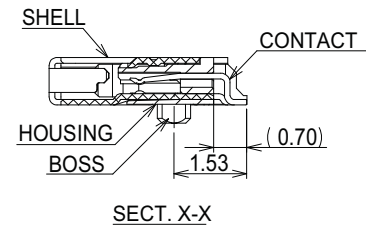
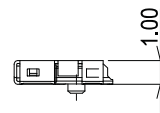


P/N:20525-0\*\*E-0 #

1: With Boss  
2: Without Boss

Material / Finish

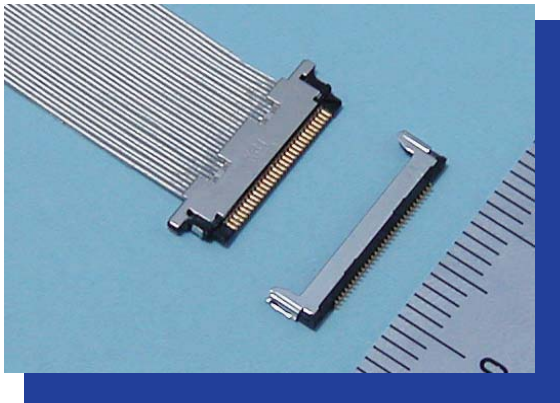
HOUSING	LCP UL94V-0	BLACK
CONTACT	COPPER ALLOY	Au
SHELL	COPPER ALLOY	Au



RECOMMENED FOOTPRINT PATTERN

# CABLIN<sup>®</sup> V

## 0.4mm Pitch Horizontal Type



- Ultra low profile : 1.0mm maximum of mating height
- Mating depth : 5.65mm, Connector width : 16.8mm (30p)
- Impedance matching and EMI performance with METAL SHELL
- Stable mating with housing lock mechanism.
- Soldering connection

### 【Number of Position】

10p, 15p, 20p, 25p, 30p, 35p, 40p

### 【Ordering Code】

PLUG Connector Set (for Cable)

Parts Ordering (HOUSING)

**20346- 0 \*\* T- \* 2 \***  
 ① ② ③ ⑤

Parts Ordering (SHELL A)

**2047-0 \*\* \***  
 ① ④

RECEPTACLE Connector Set  
 (for PC Board)

**20347- \* \*\* E- \* \***  
 ① ② ③ ④ ⑥

### 【Applicable Cable Size】

Micro Coax	AWG #40, #42, #44
TWINCOAX	AWG #40
DISCRETE	AWG #36

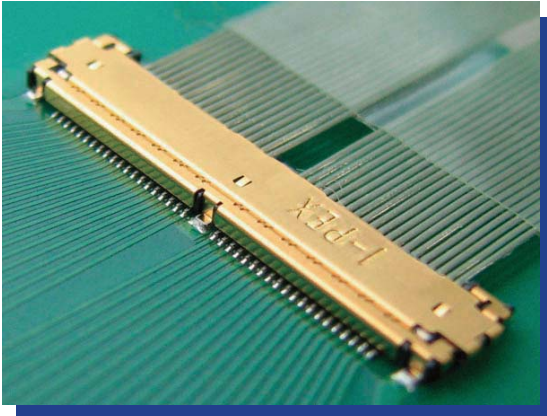
①	POS.	10:10pos. 15:15pos. 20:20pos. 25:25pos. 30:30pos. 35:35pos. 40:40pos.		
②	Packaging	T	Tray	
③	SHELL B Plating and Lock	1	Sn	Without LOCK
		3	Sn	With LOCK
④	SHELL A Plating	3	Sn	
⑤	Red-P	-	Not Compliant	
		R	Red Phosphorus Free	

①	SHELL Plating and Lock	1	Sn	Without LOCK
		3	Sn	With LOCK
②	POS.	10:10pos. 15:15pos. 20:20pos. 25:25pos. 30:30pos. 35:35pos. 40:40pos.		
③	Packaging	E	Emboss Tape	
④	Nickel Barrier	0	Without	
		1	With	
⑥	BOSS	1	With	
		2	Without	

### 【Recommended P/N】

POS.	HOUSING	Shell A	PLUG Connector Set	RECEPTACLE
10	20346-010T-32R	2047-0103	20345-010T-32R	20347-310E-12R
15	20346-015T-32R	2047-0153	20345-015T-32R	20347-315E-12R
20	20346-020T-32R	2047-0203	20345-020T-32R	20347-320E-12R
25	20346-025T-32R	2047-0253	20345-025T-32R	20347-325E-12R
30	20346-030T-32R	2047-0303	20345-030T-32R	20347-330E-12R
35	20346-035T-32R	2047-0353	20345-035T-32R	20347-335E-12R
40	20346-040T-32R	2047-0403	20345-040T-32R	20347-340E-12R





- Mating Height : 1.0mm
- Applicable Cable Size : Micro Coax  
AWG #46, #44, #42
- **W-Point** Contact with High mating reliability
- Enhanced Shielding and Grounding performance
- Guide to insure an easier mating process
- Soldering connection

### 【Number of Position】

20p, 30p, 36p, 40p

### 【Ordering Code】

PLUG Connector Set (for Cable)

Parts Ordering (HOUSING)

**20419-0** \*\* T  
① ②

Parts Ordering (Cover)

**2452-0** \*\*  
①

RECEPTACLE Connector Set  
(for PC Board)

**20418-0** \*\* E - **00**  
① ②

### 【Applicable Cable Size】

Micro Coax	AWG #42, #44, #46
------------	-------------------

①	POS.	20: 20pos	30: 30pos	36: 36pos	40: 40pos
②	Packaging	T	Tray		

①	POS.	20: 20pos	30: 30pos	36: 36pos	40: 40pos
②	Packaging	E	Emboss Tape		

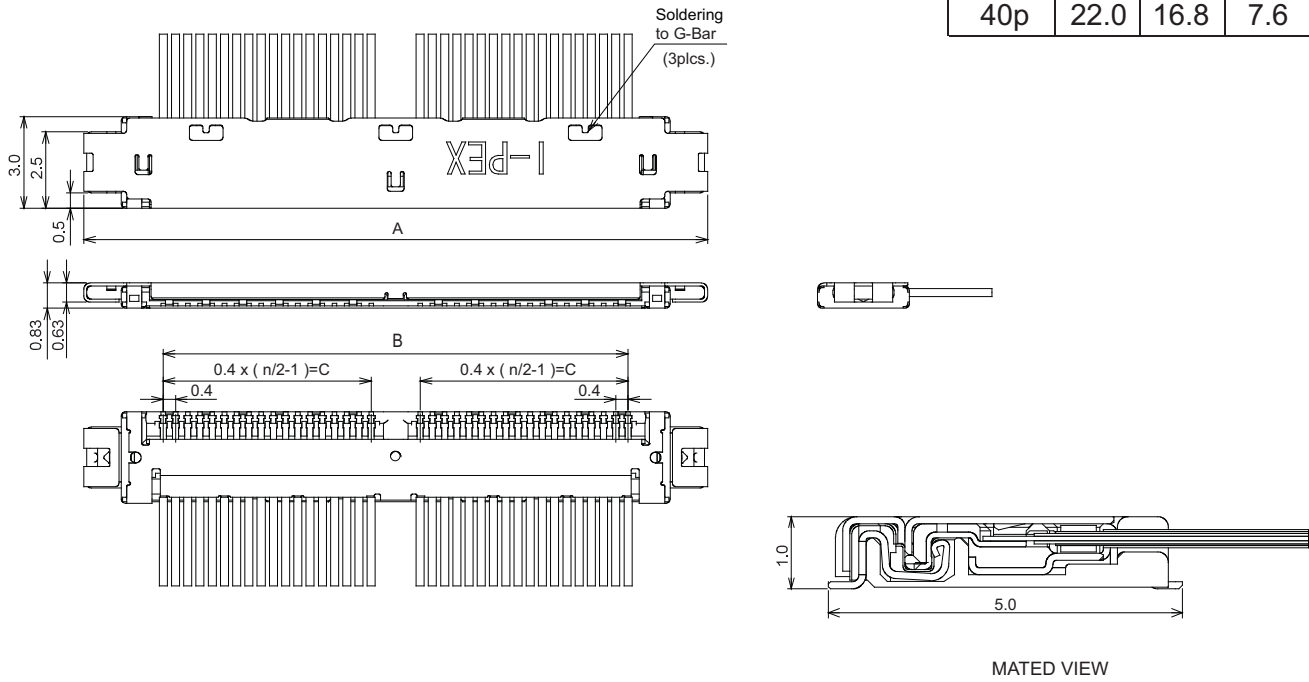
### 【Material / Finish】

Product	Parts	Material	Plating / Color
PLUG	HOUSING	LCP UL94V-0	BLACK
	CONTACT	COPPER ALLOY	Au
	SHELL	STAINLESS STEEL	-
	COVER	STAINLESS STEEL	Au
RECEPTACLE	HOUSING	LCP UL94V-0	BLACK
	CONTACT	COPPER ALLOY	Au
	SHELL	STAINLESS STEEL	Au

**PLUG**

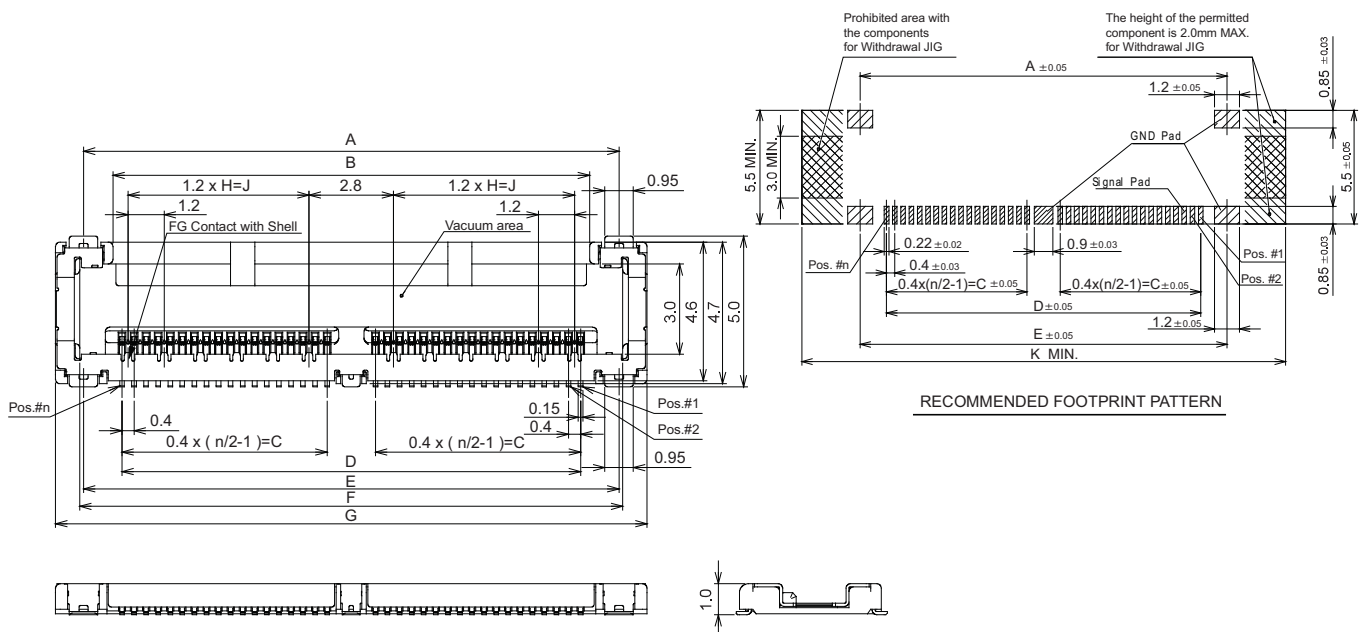
Set P/N: 20420-0\*\*

POS.	A	B	C
20p	14.0	8.8	3.6
30p	18.0	12.8	5.6
36p	20.4	15.2	6.8
40p	22.0	16.8	7.6



**RECEPTACLE**

POS.	PART NO.	A	B	C	D	E	F	G	H	J	K
20p	20418-020E-00	11.35	9.4	3.6	8.8	11.35	11.6	13.2	2	2.4	17.0
30p	20418-030E-00	15.35	13.4	5.6	12.8	15.35	15.6	17.2	4	4.8	21.0
36p	20418-036E-00	17.75	15.8	6.8	15.2	17.75	18.0	19.6	5	6	23.4
40p	20418-040E-00	19.35	17.4	7.6	16.8	19.35	19.6	21.2	5	6	25.0



# CABLIN<sup>®</sup>-SS

## 0.4mm Pitch Right Angle Stacking Type



- Super Slim Micro Coax Connector going through small hinge hole after cabling
- Connector Width : 3.0mm, Mating Height : 1.85mm (MAX.)
- W-Point Contact with High mating reliability
- Soldering connection

### 【Number of Position】

10p, 14p, 20p, 30p,  
32p, 35p, 40p, 50p

### 【Applicable Cable Size】

Micro Coax	AWG #42 , AWG #40 , AWG #36
DISCRETE	AWG #36 , AWG #34

### 【Ordering Code】

PLUG Connector Set (for Cable)

Parts Ordering (HOUSING)

**20373- \* \*\* T- 06**  
① ② ③

Parts Ordering (METAL COVER)

**2182-0 \*\* - 03**  
②

RECEPTACLE Connector Set  
(for PC Board)

**20374- \* \*\* E- 3 \***  
① ② ③ ④

①	Red Phosphorus	<b>R</b> <b>0</b>	Comform Noncomform
②	POS.	<b>10</b> :10pos. <b>14</b> :14pos. <b>20</b> :20pos. <b>30</b> :30pos. <b>32</b> :32pos. <b>35</b> :35pos. <b>40</b> :40pos. <b>50</b> :50pos.	
③	Packaging	<b>T</b>	Tray

①	Red Phosphorus	<b>R</b> <b>0</b>	Comform Noncomform
②	POS.	<b>10</b> :10pos. <b>14</b> :14pos. <b>20</b> :20pos. <b>30</b> :30pos. <b>32</b> :32pos. <b>35</b> :35pos. <b>40</b> :40pos. <b>50</b> :50pos.	
③	Packaging	<b>E</b>	Emboss Tape
④	Vacuum Clip	<b>0</b>	Without
		<b>1</b>	With

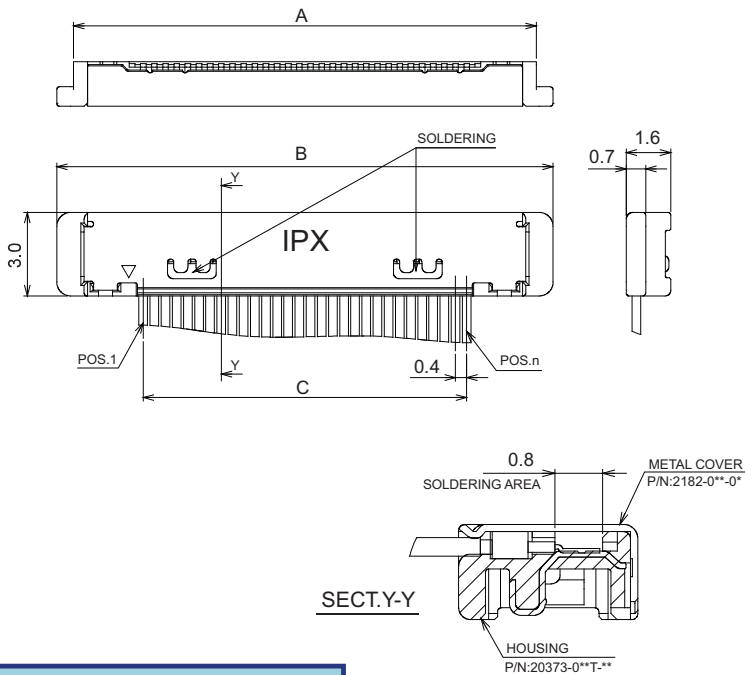
Note : Please inquire for available pin counts.  
The P/N is limited pin count only.

### 【Recommended P/N】

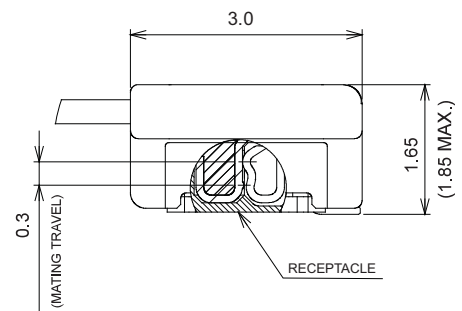
POS.	HOUSING	Metal Cover	PLUG Connector Set	RECEPTACLE
10	20373-R10T-06	2182-010-03	20380-R10T-06	20374-R10E-31
14	20373-R14T-06	2182-014-03	20380-R14T-06	20374-R14E-31
20	20373-R20T-06	2182-020-03	20380-R20T-06	20374-R20E-31
30	20373-R30T-06	2182-030-03	20380-R30T-06	20374-R30E-31
32	20373-R32T-06	2182-032-03	20380-R32T-06	20374-R32E-31
35	20373-R35T-06	2182-035-03	20380-R35T-06	20374-R35E-31
40	20373-R40T-06	2182-040-03	20380-R40T-06	20374-R40E-31
50	20373-R50T-06	2182-050-03	20380-R50T-06	20374-R50E-31

# PLUG

Set P/N: 20380-\*\*\*T-\*\*



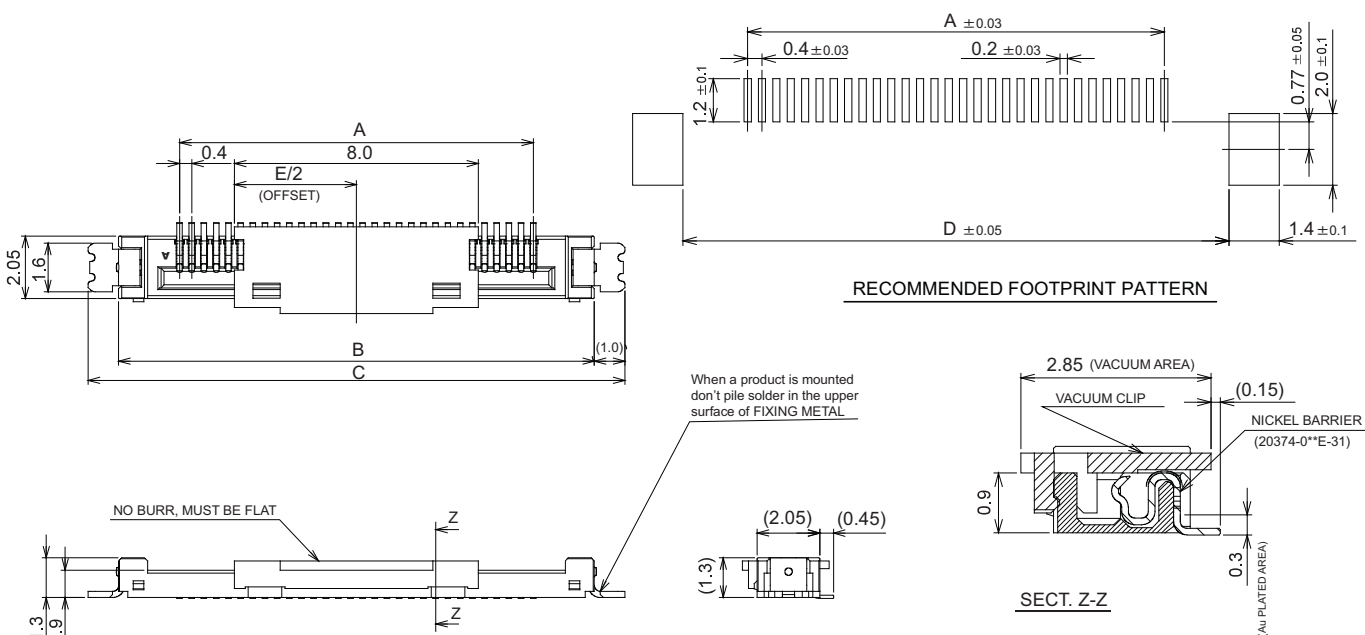
POS.	A	B	C
10p	8.6	9.8	3.6
14p	10.2	11.4	5.2
20p	12.6	13.8	7.6
30p	16.6	17.8	11.6
32p	17.4	18.6	12.4
35p	18.6	19.8	13.6
40p	20.6	21.8	15.6
50p	24.6	25.8	19.6



MATED VIEW

# RECEPTACLE

POS.	PART NO.	A	B	C	D	E
10p	20374-010E-*1	3.6	7.6	9.6	7.2	5.5
14p	20374-014E-*1	5.2	9.2	11.2	8.8	5.5
20p	20374-020E-*1	7.6	11.6	13.6	11.2	8.0
30p	20374-030E-*1	11.6	15.6	17.6	15.2	8.0
32p	20374-032E-*1	12.4	16.4	18.4	16.0	8.0
35p	20374-035E-*1	13.6	17.6	19.6	17.2	8.0
40p	20374-040E-*1	15.6	19.6	21.6	19.2	8.0
50p	20374-050E-*1	19.6	23.6	25.6	23.2	8.0



# CABLIN<sup>®</sup>-VS

0.5mm Pitch

Horizontal Type



- Mating Height : MAX. 1.1mm
- Improved transmission efficiency, High level EMI shield performance and multi point ground
- **W-Point** Contact with High mating reliability
- Anti-reverse mating design
- Locking bar prevents accidental unmating (Option)
- Soldering connection

### 【Applicable Cable Size】

Micro Coax	AWG #40, #42, #44 (AWG #36: Power Only)
DISCRETE	AWG #32, #34, #36
TWINCOAX	AWG #40

### 【Number of Position】

20p, 30p, 40p, 50p

### 【Ordering Code】

PLUG Connector Set (for Cable)

Parts Ordering (HOUSING)

**20454- 2 \*\* T (-01)**

① ② only 50pos

Parts Ordering (SHELL A)

**2574- \* \*\* 2**

③ ①

Parts Ordering (Pull bar)

**2576- \* \*\* - \*\***

④ ① ⑤

RECEPTACLE Connector Set

(for PC Board)

**20455- \*\*\* E - \* 6**

① ② ③

①	POS.	20: 20pos 30: 30pos 40: 40pos 50: 50pos	
②	Packaging	T	Tray
③	DATUM MARK	0	With
		1	Without
④	INSULATION COAT	0	Without
		1	With
⑤	Packing Quantity	-	60,000pcs
		00	20,000pcs

①	POS.	A20: 20pos 030: 30pos 040: 40pos 050: 50pos	
②	Packaging	E	Emboss Tape
③	DATUM MARK	6	With
		7	Without

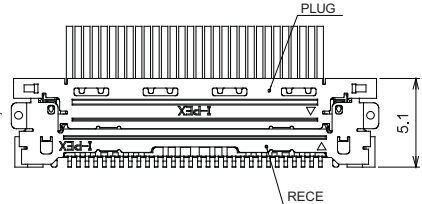
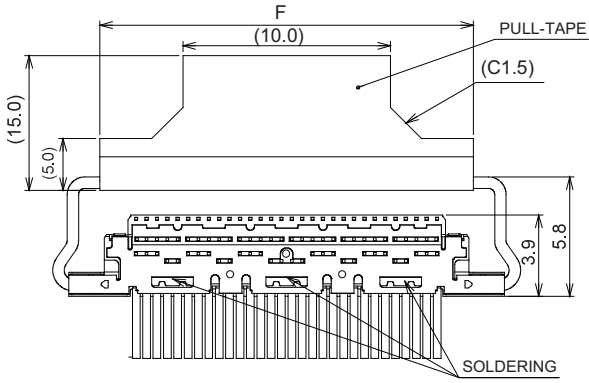
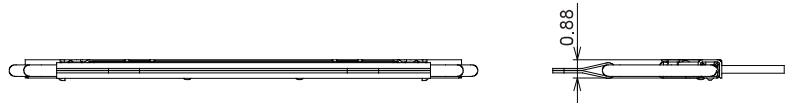
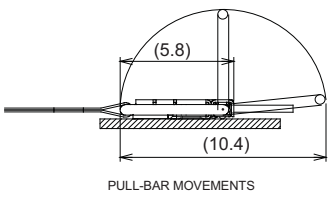
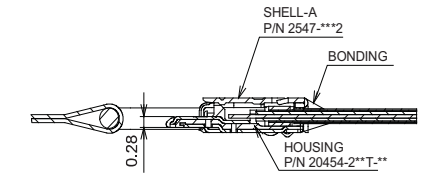
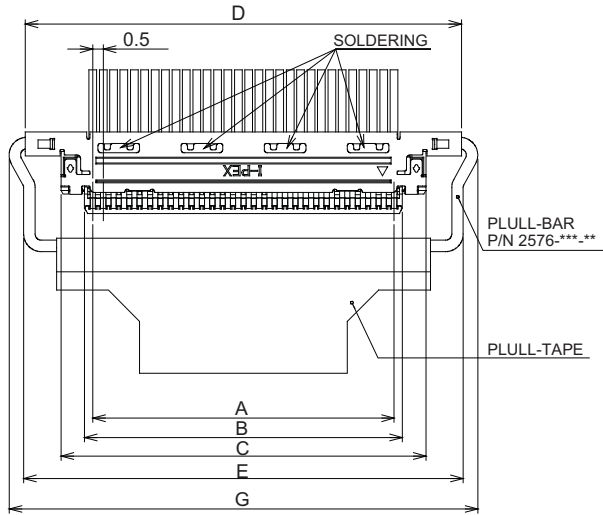
### 【Recommended P/N】

POS.	HOUSING	SHELL A	PULL BAR	PLUG Set	RECEPTACLE
20	20454-220T	2574-1202	2576-020-00	20453-220T-11	20455-A20E-76
30	20454-230T	2574-1302	2576-030-00	20453-230T-11	20455-030E-76
40	20454-240T	2574-1402	2576-040-00	20453-240T-11	20455-040E-76
50	20454-250T-01	2574-1502	2576-050-00	20453-250T-11S	20455-050E-76

**PLUG**

Set P/N: 20453-2\*\*T-\*\*\*

POS.	A	B	C	D	E	F	G
20	9.50	10.30	12.56	16.00	16.15	13.00	17.55
30	14.50	15.30	17.56	21.00	21.15	18.00	22.55
40	19.50	20.30	22.56	26.00	26.15	23.00	27.55
50	24.50	25.30	27.56	31.00	31.15	28.00	32.55



MATED VIEW

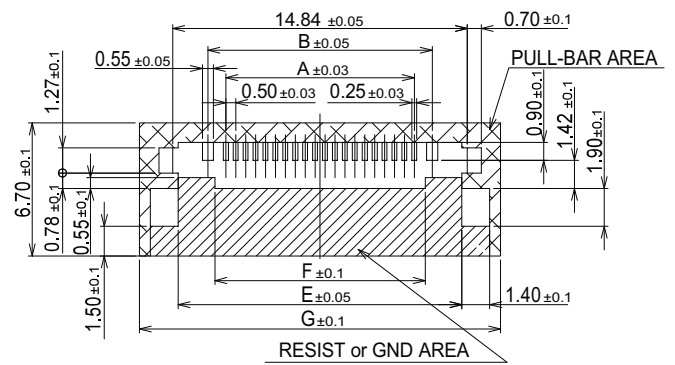
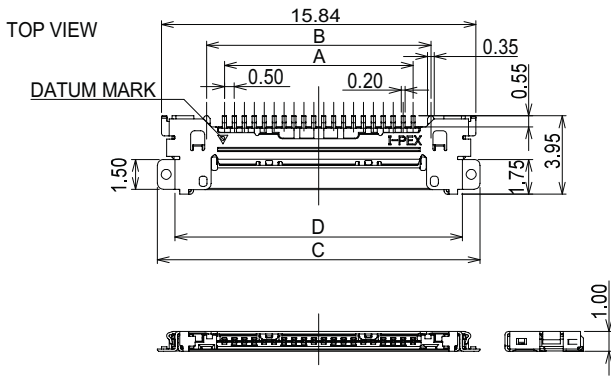
**Material / Finish**

HOUSING	LCP UL94V-0	BLACK
CONTACT	COPPER ALLOY	Au
SHELL A	COPPER ALLOY	Au
SHELL B	COPPER ALLOY	Au
PULL BAR	STAINLESS STEEL	-

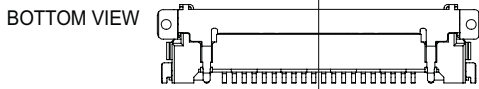
**RECEPTACLE**

POS.	A	B	C	D	E	F	G
20	9.50	11.30	16.25	14.47	14.30	10.60	18.20
30	14.50	16.30	21.25	19.47	19.30	15.60	23.20
40	19.50	21.30	26.25	24.47	24.30	20.60	28.20
50	24.50	26.30	31.25	29.47	29.30	25.60	33.20

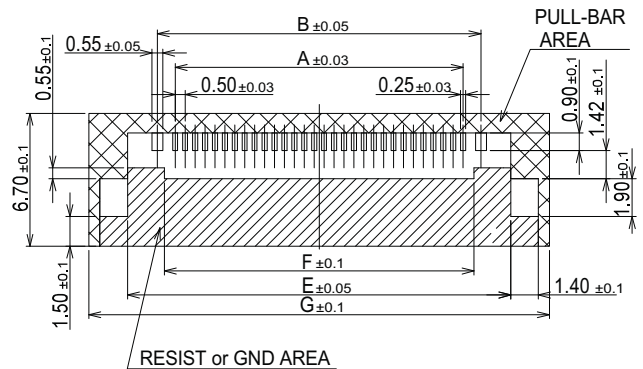
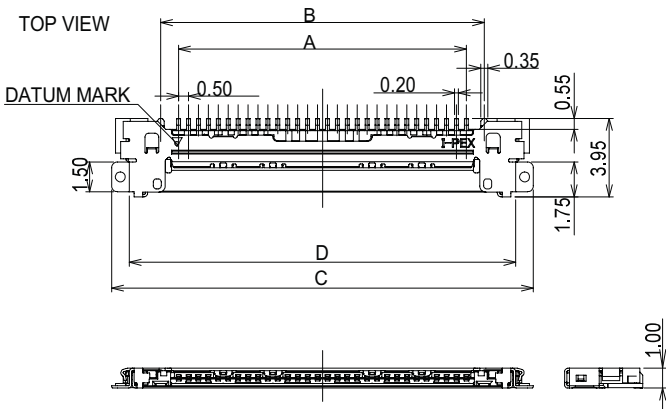
20455-A20E-\*6 (20pin)



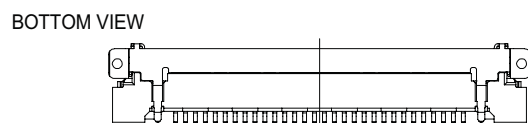
RECOMMENDED FOOTPRINT PATTERN



20455-0\*\*E-\*6 (30pin, 40pin, 50pin)



RECOMMENDED FOOTPRINT PATTERN

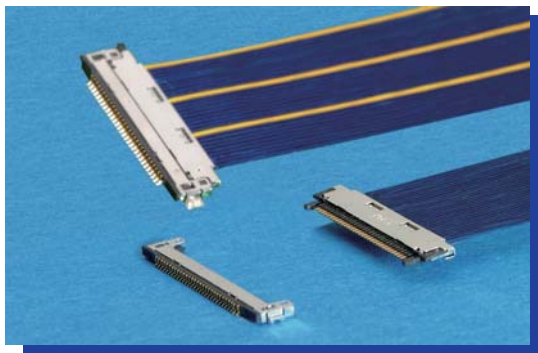


Material / Finish

HOUSING	LCP UL94V-0	BLACK
CONTACT	COPPER ALLOY	Au
SHELL	COPPER ALLOY	Au

# CABLINE® IV

## 0.5mm Pitch Horizontal Type



- Half the projected area of CABLINE® II HT1, Mating depth : 5.3mm, Mating height : 1.0mm
- Impedance matching and EMI performance with METAL SHELL
- Stable mating with housing lock mechanism
- Soldering connection

### 【Number of Position】

10p, 30p

### 【Ordering Code】

PLUG Connector Set (for Cable)

Parts Ordering (HOUSING)

**20326-0 \*\* T-02**

① ②

Parts Ordering (SHELL A)

**1978-0 \*\* 1 S**

①

RECEPTACLE Connector Set  
(for PC Board)

**20327-0 \*\* E- \* \* S**

① ② ③ ④

### 【Material / Finish】

Product	Parts	Material	Plating / Color
PLUG	HOUSING	HEAT RESISTING PLASTICS LCP UL94V-0	BLACK
	CONTACT	COPPER ALLOY	Au
	SHELL A	STAINLESS STEEL	Sn
	SHELL B	STAINLESS STEEL	-
RECEPTACLE	HOUSING	HEAT RESISTING PLASTICS LCP UL94V-0	BLACK
	CONTACT	COPPER ALLOY	Au
	SHELL	COPPER ALLOY	Sn

### 【Applicable Cable Size】

Micro Coax	AWG #32, #34, #36, #40
TWINCOAX	AWG #40
DISCRETE	AWG #32, #36

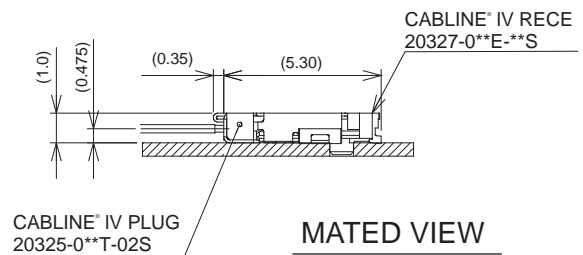
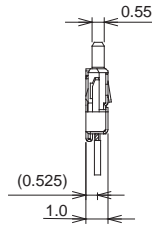
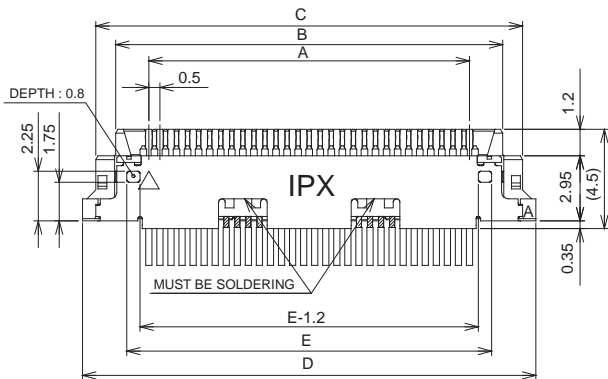
①	POS.	10: 10pos. 30: 30pos.
②	Packaging	T Tray

①	POS.	10: 10pos. 30: 30pos.
②	Packaging	E Emboss Tape
③	Nickel Barrier	0 Without
		1 With
④	BOSS	1 With
		2 Without

**PLUG**

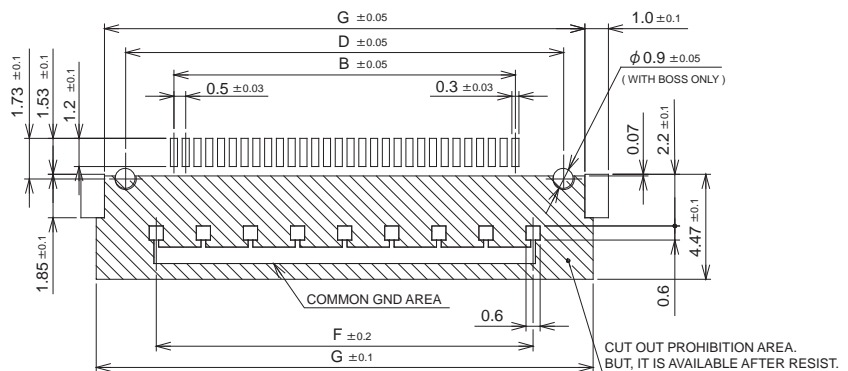
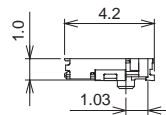
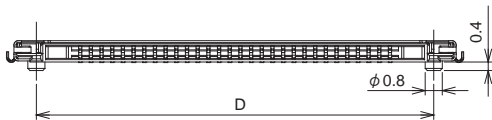
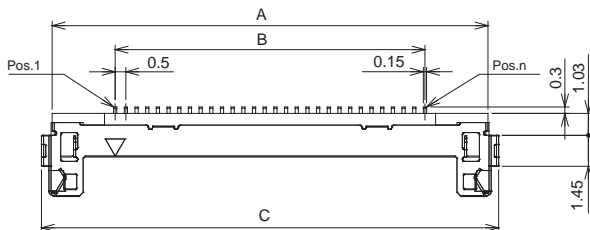
Set P/N : 20325-0\*\*T-02S

POS.	A	B	C	D	E
10p	4.5	7.5	9.3	10.5	6.5
30p	14.5	17.5	19.3	20.5	16.5

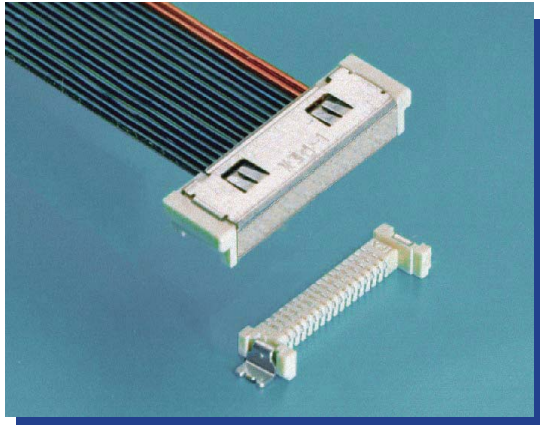


**RECEPTACLE**

POS.	PART NO.	A	B	C	D	E	F	G
10p	20327-010E-**S	10.4	4.5	11.4	8.6	0.75	6.0	11.1
30p	20327-030E-**S	20.4	14.5	21.4	18.6	0.75	16.0	21.1



RECOMMENDED PATTERN LAYOUT



- 0.5mm Pitch Micro Coax Connector
- Impedance matching and EMI performance with METAL SHELL
- Mating Height : 2.0mm - Connector depth : 4.0mm
- Easy mechanical cable termination with “ i-Fit<sup>®</sup> ” Technology

### 【Number of Position】

16p

### 【Ordering Code】

PLUG Connector set (for Cable)

Parts Ordering (HOUSING)

**20248- 016** T - \*\*F  
①      ②

Parts Ordering (Cable Holder)

**1765 - 016** B - \*  
①      ③

Parts Ordering (METAL COVER)

**1767- 016T**

RECEPTACLE Connector Set  
 (for PC Board)

**20247- \* 16** E - \*\*F  
①      ②      ③

### 【Applicable Cable Size】

Micro Coax	AWG #36, #38, #40
TWINCOAX	AWG #40

①	Packaging	T	Tray
		B	Bag
②	Housing Color	F	BLACK
		01F	NATURAL
③	Cable Holder Color	B	BLACK
		-	NATURAL

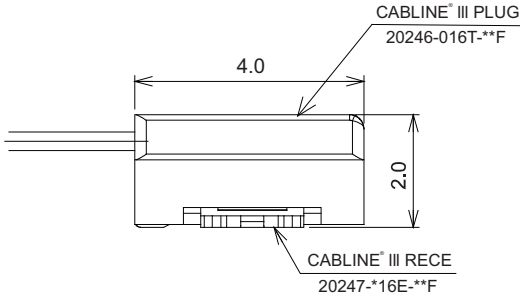
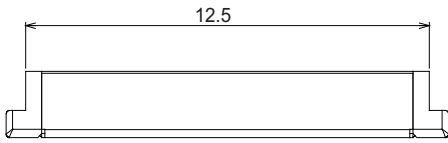
①	Adhesion Tape	0	With (7.5mm)
		1	Without
		9	With (9.0mm)
②	Packaging	E	Emboss Tape
③	Housing Color & BOSS	01F	BLACK Without BOSS
		11F	NATURAL Without BOSS

### 【Material / Finish】

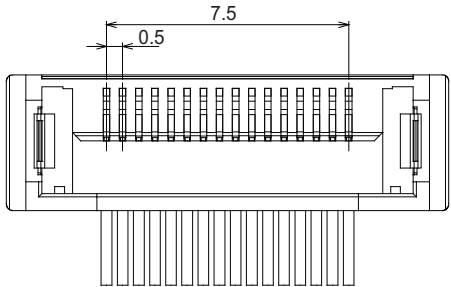
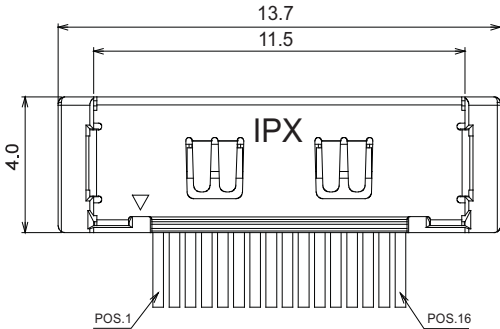
Product	Parts	Material	Plating / Color
PLUG	HOUSING	LCP UL94V-0	BLACK or NATURAL
	CONTACT	COPPER ALLOY	Sn REFLOW
	METAL COVER	COPPER ALLOY	Sn REFLOW
RECEPTACLE	HOUSING	LCP UL94V-0	BLACK or NATURAL
	CONTACT	COPPER ALLOY	Sn REFLOW
	HOLD DOWN	COPPER ALLOY	Sn REFLOW

**PLUG**

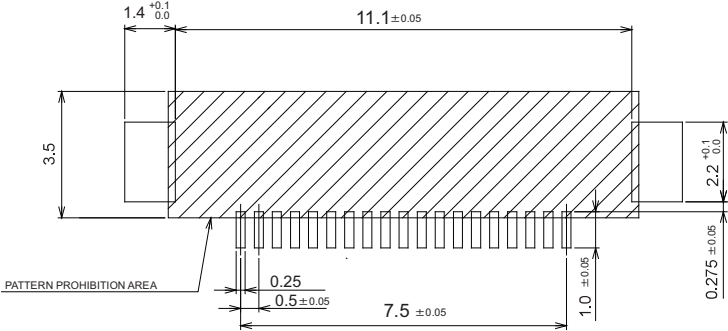
Set P/N: 20246-016T-\*\*F



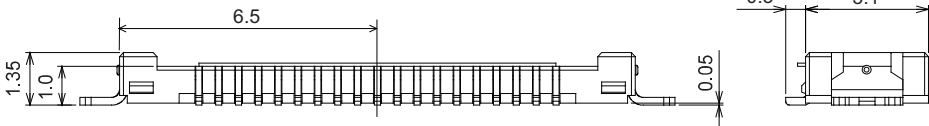
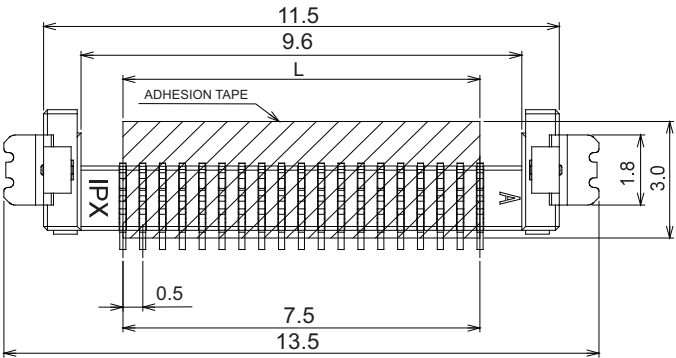
**MATED VIEW**



**RECEPTACLE**

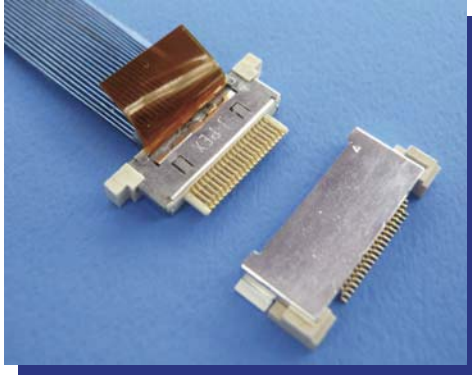


**RECOMMENDED PATTERN LAYOUT**



# CABLINE® II HT2

0.5mm Pitch Horizontal Type



- 0.5mm Pitch Micro Coax Connector
- Impedance matching and EMI performance with METAL SHELL
- Soldering connection
- CABLINE® II HT1 RECEPTACLE is adapted for PC Board

**【Number of Position】**

20p, 30p

**【Applicable Cable Size】**

Micro Coax	AWG #32, #34, #36, #38, #40
DISCRETE	AWG #32, #36

**【Ordering Code】**

PLUG Connector Set (for Cable)

Parts Ordering (HOUSING)

**20410-0 \*\* U**  
 ① ②

Parts Ordering (COVER A)

**2367-0 \*\***  
 ①

①	POS.	20:20pos. 30:30pos.	
②	Packaging	U	Tube

RECEPTACLE Connector Set  
 (for PC Board)

**20143-0 \*\* E- \*\*F**  
 ① ② ③

①	POS.	20:20pos. 30:30pos.	
②	Packaging	E	Emboss Tape
③	BOSS / Nickel Barrier	20F	with BOSS
		21F	without BOSS
		30F	with BOSS / with Nickel Barrier
		31F	without BOSS / with Nickel Barrier

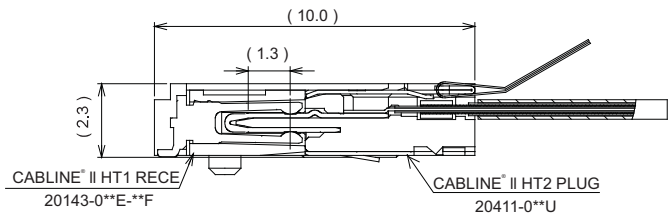
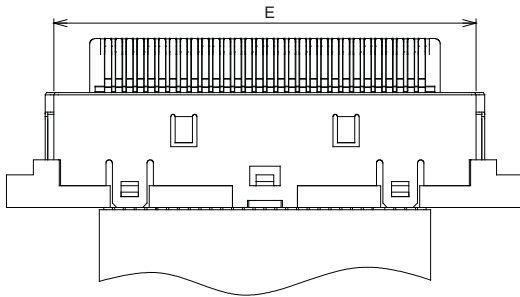
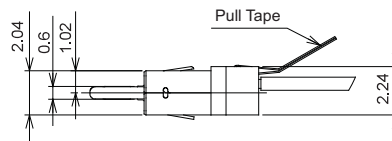
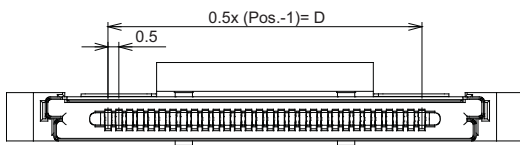
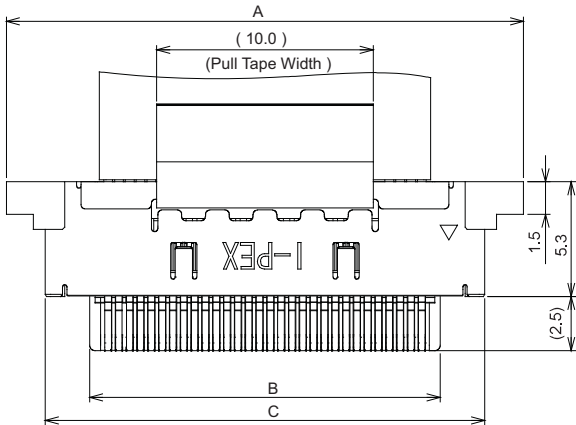
**【Material / Finish】**

Product	Parts	Material	Plating / Color
PLUG	HOUSING	LCP UL94V-0	NATURAL
	CONTACT	COPPER ALLOY	Au
	COVER A, B	COPPER ALLOY	Sn
RECEPTACLE	HOUSING	LCP UL94V-0	NATURAL
	CONTACT	COPPER ALLOY	Au
	METAL COVER	COPPER ALLOY	Sn

**PLUG**

Set P/N : 20411-0\*\*U

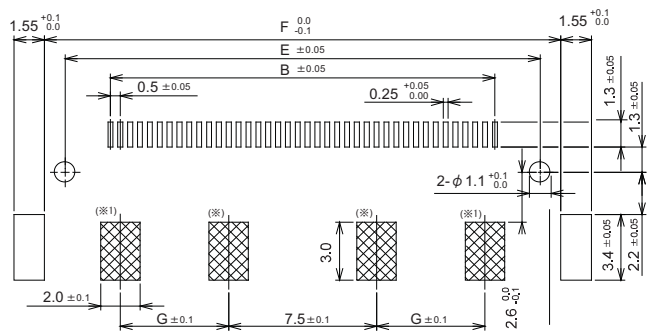
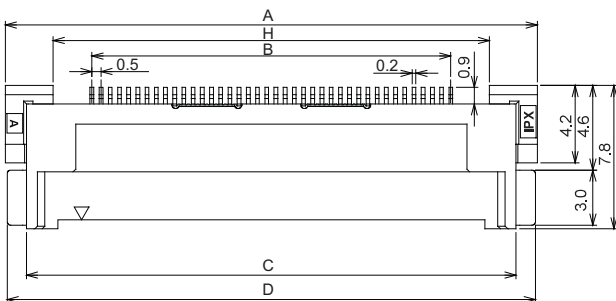
POS.	A	B	C	D	E
20p	18.9	11.2	15.3	9.5	14.5
30p	23.9	16.2	20.3	14.5	19.5



MATED VIEW

**RECEPTACLE**

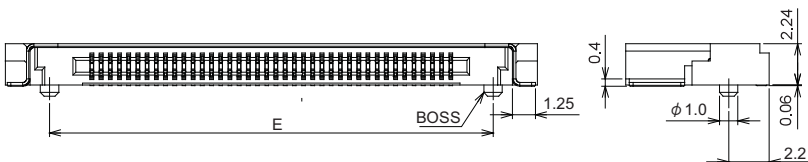
POS.	PART NO.	A	B	C	D	E	F	G	H
20p	20143-020E-**F	18.9	9.5	16.6	18.7	14.1	16.2	-	13.7
30p	20143-030E-**F	23.9	14.5	21.6	23.7	19.1	21.2	-	18.7



RECOMMENDED FOOTPRINT PATTERN

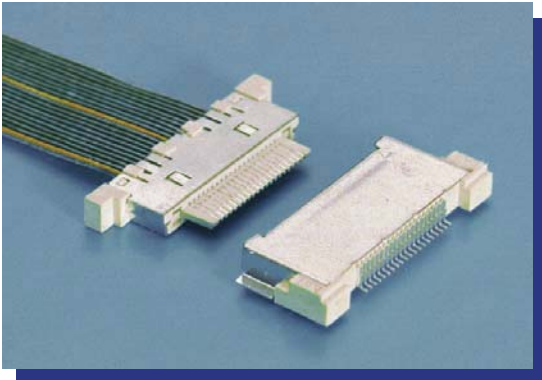
(※) No Solder paste, Pattern ground contact

(※1) Need only 40p and 50p



# CABLIN<sup>®</sup> II HT1

## 0.5mm Pitch Horizontal Type



- 0.5mm Pitch Micro Coax Connector
- Impedance matching and EMI performance with METAL SHELL
- Easy mechanical cable termination with “ i-Fit<sup>®</sup> ” Technology

### 【Number of Position】

20p, 30p, 40p, 50p

### 【Applicable Cable Size】

Micro Coax AWG #34, #36, #38, #40

### 【Ordering Code】

PLUG Connector Set (for Cable)

Parts Ordering (HOUSING)

**20152-0** **\*\* U-20F**

① ②

Parts Ordering (Cable Holder)

**20153-0** **\*\* U- \*\*F**

① ② ③

RECEPTACLE Connector Set  
(for PC Board)

**20143-0** **\*\* E- \*\*F**

① ② ③

①	POS.	20:20pos. 30:30pos. 40:40pos. 50:50pos.	
②	Packaging	U	Tube
③	Cable Size	F	ALL POS. : AWG#36 or #38 or #40
		※01F	POS.1&2 : AWG#34 OTHER POS. : AWG#36 or #38 or #40

※MARK : 20p Only

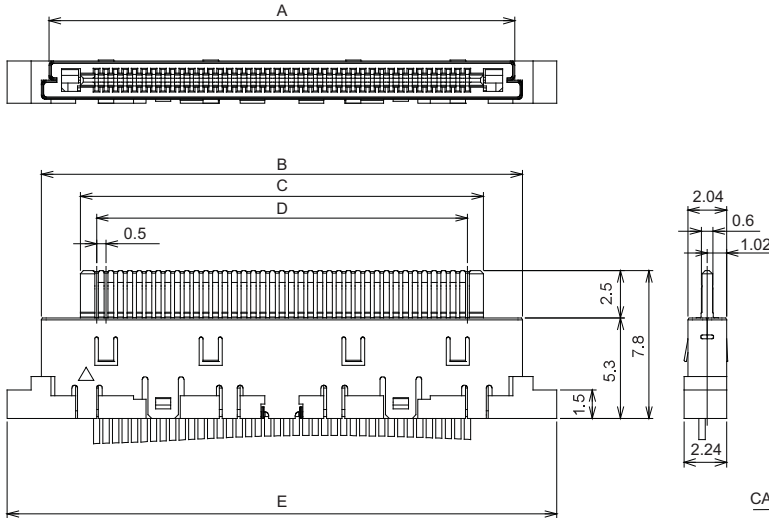
①	POS.	20:20pos. 30:30pos. 40:40pos. 50:50pos.	
②	Packaging	E	Emboss Tape
③	BOSS / Nickel Barrier	20F	with BOSS
		21F	without BOSS
		30F	with BOSS / with Nickel Barrier
		31F	without BOSS / with Nickel Barrier

### 【Material / Finish】

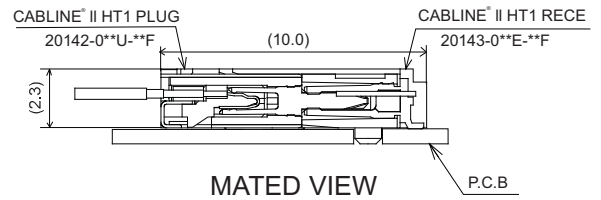
Product	Parts	Material	Plating / Color
PLUG	HOUSING	LCP UL94V-0	NATURAL
	CABLE HOLDER	LCP UL94V-0	NATURAL
	CONTACT	COPPER ALLOY	Au (Mating Area) / Sn
	METAL COVER	COPPER ALLOY	Sn
RECEPTACLE	HOUSING	LCP UL94V-0	NATURAL
	CONTACT	COPPER ALLOY	Au
	METAL COVER	COPPER ALLOY	Sn

**PLUG**

Set P/N: 20142-0\*\*U-\*\*F

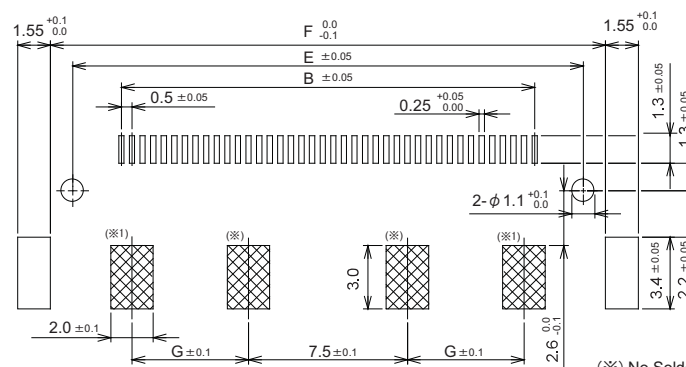
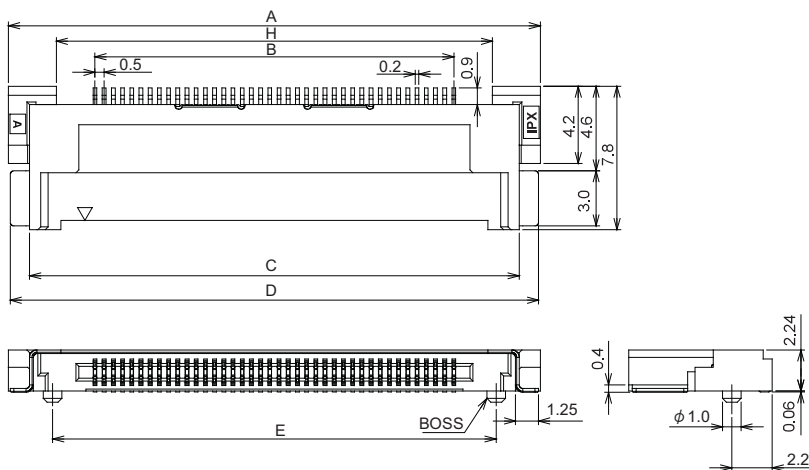


POS.	A	B	C	D	E
20p	14.5	15.3	11.2	9.5	18.9
30p	19.5	20.3	16.2	14.5	23.9
40p	24.5	25.3	21.2	19.5	28.9
50p	29.5	30.3	26.2	24.5	33.9



**RECEPTACLE**

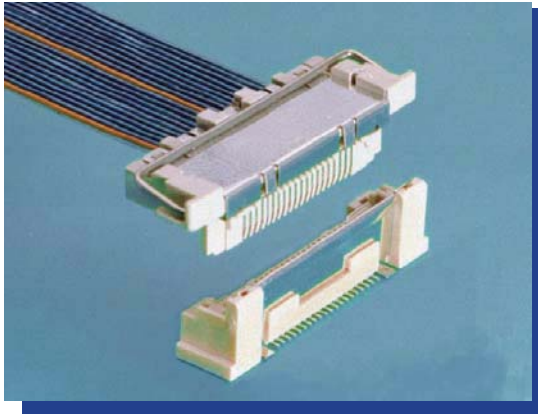
POS.	PART NO.	A	B	C	D	E	F	G	H
20p	20143-020E-**F	18.9	9.5	16.6	18.7	14.1	16.2	-	13.7
30p	20143-030E-**F	23.9	14.5	21.6	23.7	19.1	21.2	-	18.7
40p	20143-040E-**F	28.9	19.5	26.6	28.7	24.1	26.2	5.5	23.7
50p	20143-050E-**F	33.9	24.5	31.6	33.7	29.1	31.2	5.5	28.7



(※) No Solder paste, Pattern ground contact  
 (※1) Need only 40p and 50p

# CABLIN<sup>®</sup> II VT5

## 0.5mm Pitch Right Angle Type



- 0.5mm Pitch Micro Coax Connector
- Impedance matching and EMI performance with METAL SHELL
- Pull Bar with tab to remove the PLUG from RECEPTACLE without damage
- Easy mechanical cable termination with “i-Fit<sup>®</sup>” Technology

### 【Number of Position】

20p, 30p, 40p

### 【Ordering Code】

PLUG Connector Set (for Cable)

Parts Ordering (HOUSING)

**20227- \* \*\* U-21F**

① ② ③

Parts Ordering (Cable Holder)

【for SGC】

**20153- 0 \*\* U-02F**

② ③

【for TWINCOAX】

**1495 - T \*\* B**

② ③

RECEPTACLE Connector Set

(for PC Board)

**20228- 0 \*\* E- \*\*F**

① ② ③

### 【Applicable Cable Size】

Micro Coax	AWG #36, #38, #40
TWINCOAX	AWG #40

①	Cable Type	<b>0</b>	Micro Coax
		<b>T</b>	TWINCOAX
②	POS.	<b>20:</b> 20pos. <b>30:</b> 30pos. <b>40:</b> 40pos.	
③	Packaging	<b>U</b>	Tube
		<b>B</b>	Bag

①	POS.	<b>20:</b> 20pos. <b>30:</b> 30pos. <b>40:</b> 40pos.	
②	Packaging	<b>E</b>	Emboss Tape
③	BOSS	<b>22F</b>	With
		<b>23F</b>	Without

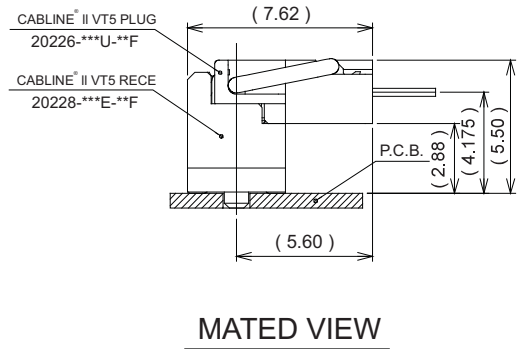
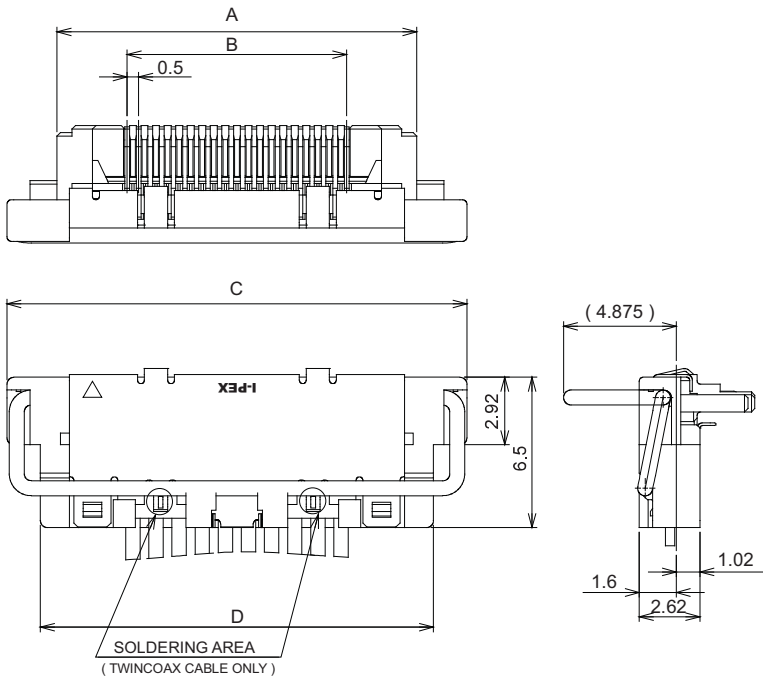
### 【Material / Finish】

Product	Parts	Material	Plating / Color
PLUG	HOUSING	LCP UL94V-0	NATURAL
	CABLE HOLDER	LCP UL94V-0	NATURAL
	CONTACT	COPPER ALLOY	Au (Mating Area) / Sn
	METAL COVER	COPPER ALLOY	Sn
RECEPTACLE	HOUSING	LCP UL94V-0	NATURAL
	CONTACT	COPPER ALLOY	Au
	METAL COVER	COPPER ALLOY	Sn

**PLUG**

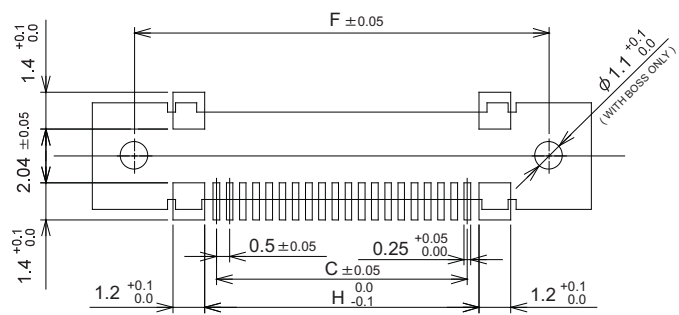
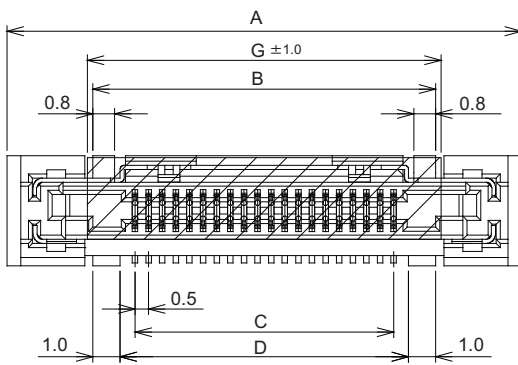
Set P/N : 20226-0\*\*U-\*\*F

POS.	A	B	C	D
20p	15.56	9.5	19.9	17.0
30p	20.56	14.5	24.9	22.0
40p	25.56	19.5	29.9	27.0

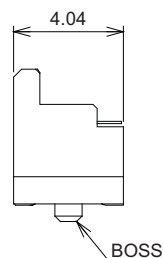
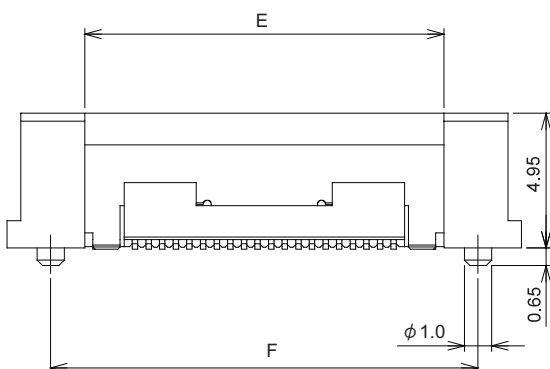


**RECEPTACLE**

POS.	PART NO.	A	B	C	D	E	F	G	H
20p	20228-020E-**F	18.9	11.0	9.5	10.6	13.2	15.7	13.0	10.4
30p	20228-030E-**F	23.9	16.0	14.5	15.6	18.2	20.7	18.0	15.4
40p	20228-040E-**F	28.9	21.0	19.5	20.6	23.2	25.7	23.0	20.4

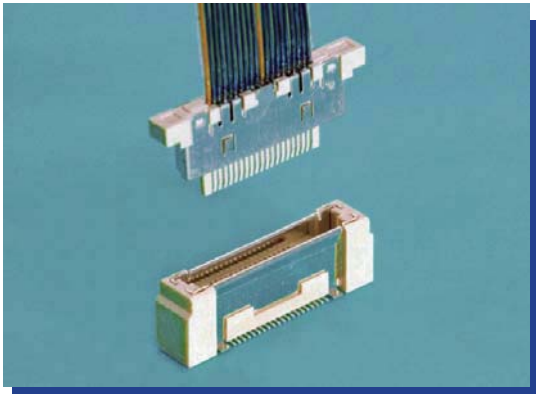


**RECOMMENDED PATTERN LAYOUT**



# CABLIN<sup>®</sup> II VT4

## 0.5mm Pitch Vertical Type



- 0.5mm Pitch Micro Coax Connector
- Impedance matching and EMI performance with METAL SHELL
- PLUG Side : CABLINE<sup>®</sup> II HT1 PLUG
- Easy mechanical cable termination with “ i-Fit<sup>®</sup> ” Technology

### 【Number of Position】

20p, 40p

### 【Ordering Code】

PLUG Connector Set (for Cable)

Parts Ordering (HOUSING)

**20152- 0** \*\* U-20F  
 ① ②

Parts Ordering (Cable Holder)

**20153- 0** \*\* U- \*\*F  
 ① ② ③

RECEPTACLE Connector Set  
(for PC Board)

**20198- 0** \*\* E- \*\*F  
 ① ② ③

### 【Applicable Cable Size】

Micro Coax AWG #34, #36, #38, #40

①	POS.	20:20pos. 30:30pos. 40:40pos. 50:50pos.	
②	Packaging	U	Tube
③	Cable Size	F	ALL POS. : AWG#36 or #38 or #40
		※01F	POS.1&2 : AWG#34 OTHER POS. : AWG#36 or #38 or #40

※MARK : 20p Only

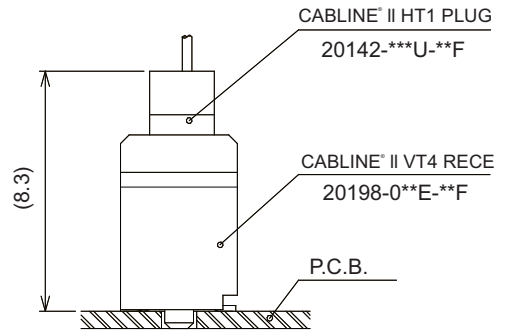
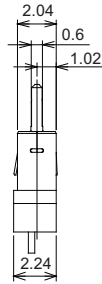
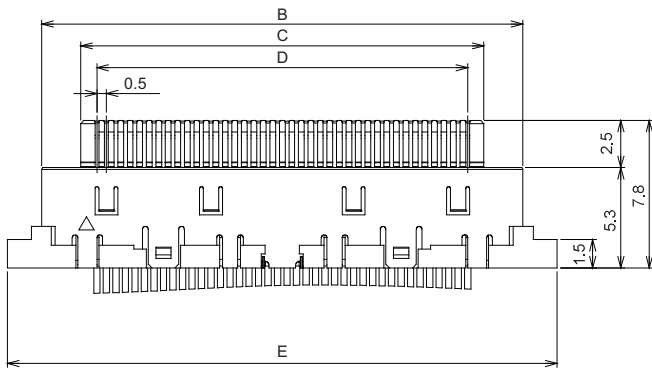
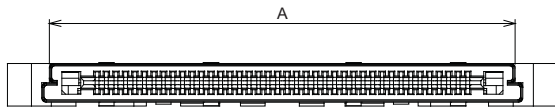
①	POS.	20: 20pcs. 40: 40pcs.	
②	Packaging	E	Emboss Tape
③	BOSS	20F	With
		21F	Without

### 【Material / Finish】

Product	Parts	Material	Plating / Color
PLUG	HOUSING	LCP UL94V-0	NATURAL
	CABLE HOLDER	LCP UL94V-0	NATURAL
	CONTACT	COPPER ALLOY	Au (Mating Area) / Sn
	METAL COVER	COPPER ALLOY	Sn
RECEPTACLE	HOUSING	LCP UL94V-0	NATURAL
	CONTACT	COPPER ALLOY	Au
	METAL COVER	COPPER ALLOY	Sn

**PLUG**

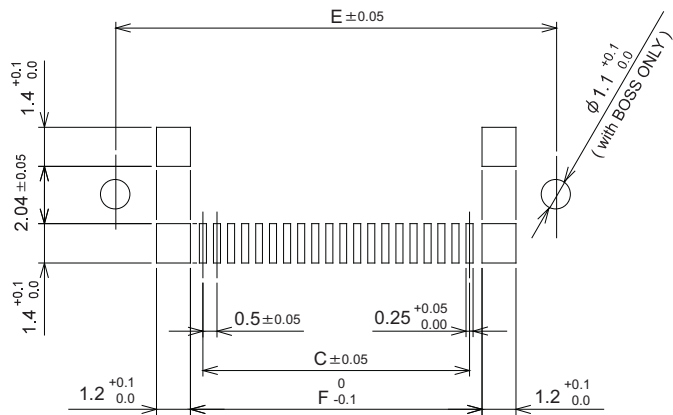
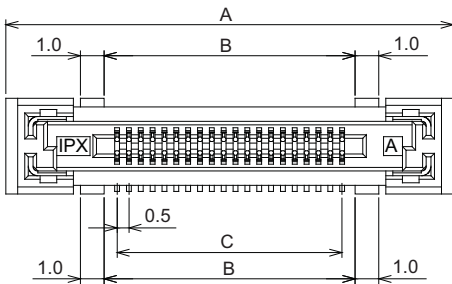
POS.	PART NO.	A	B	C	D	E
20p	20142-020U-**F	14.5	15.3	11.2	9.5	18.9
40p	20142-040U-**F	24.5	25.3	21.2	19.5	28.9



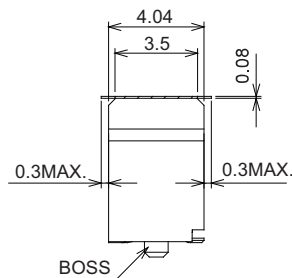
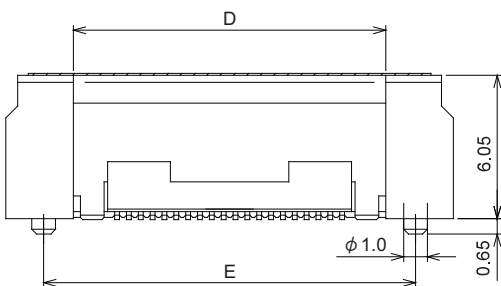
MATED VIEW

**RECEPTACLE**

POS.	PART NO.	A	B	C	D	E	F	G
20p	20198-020E-**F	18.9	10.6	9.5	13.2	15.7	10.4	17.0
40p	20198-040E-**F	28.9	20.6	19.5	23.2	25.7	20.4	27.0

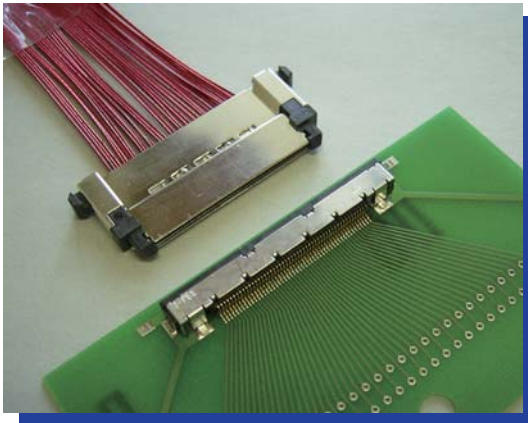


RECOMMENDED PATTERN LAYOUT



# CABLIN<sup>®</sup>-TL

## 0.5mm Pitch Horizontal Type / Vertical Type



- Suitable for the LVDS / HDMI transmission in digital equipment
- Applicable for TWINCOAX, Micro Coax, DISCRETE
- Better mating with rugged guide design
- Anti-reverse mating design
- Feature to prevent buckling
- W-Point contact with High mating reliability
- Soldering connection

### 【Number of Position】

21p, 31p, 41p, 51p

### 【Ordering Code】

PLUG Connector Set (for Cable)

Parts Ordering (HOUSING)

**20422-0** \*\* T  
 ① ②

Parts Ordering (COVER B)

**2453-0** \*\* 1  
 ①

RECEPTACLE Connector Set  
 (for PC Board)

**20423-** \* \*\* E  
 ① ② ③

### 【Applicable Cable Size】

Micro Coax	AWG #40, #36
TWINCOAX	AWG #40
DISCRETE	AWG #36, #32

①	POS.	21: 21pos 31: 31pos 41: 41pos 51: 51pos
②	Packaging	T Tray

①	Type	H	Horizontal
		V	Vertical
②	POS.	21: 21pos 31: 31pos 41: 41pos 51: 51pos	
③	Packaging	E	Emboss Tape

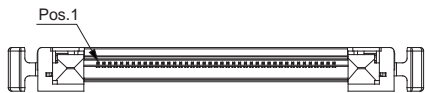
### 【Material / Finish】

Product	Parts	Material	Plating / Color
PLUG	HOUSING	LCP UL94V-0	BLACK
	CONTACT	COPPER ALLOY	Au
	COVER A	COPPER ALLOY	Sn
	COVER B	COPPER ALLOY	Sn
RECEPTACLE	HOUSING	LCP UL94V-0	BLACK
	CONTACT	COPPER ALLOY	Au
	SHELL	COPPER ALLOY	Sn

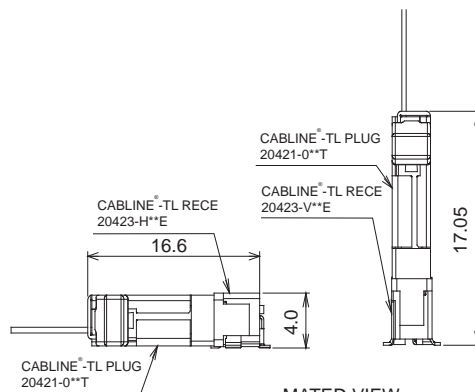
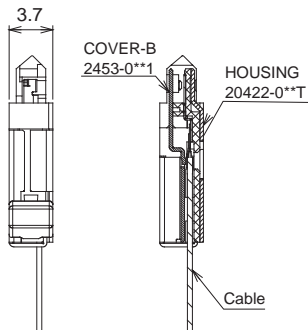
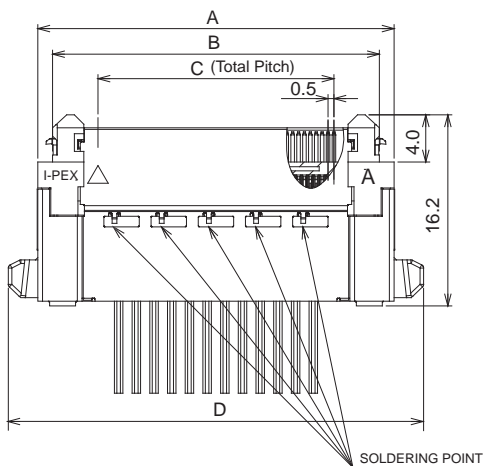
# PLUG

CABLIN<sup>®</sup>-TL

Set P/N: 20421-0\*\*T



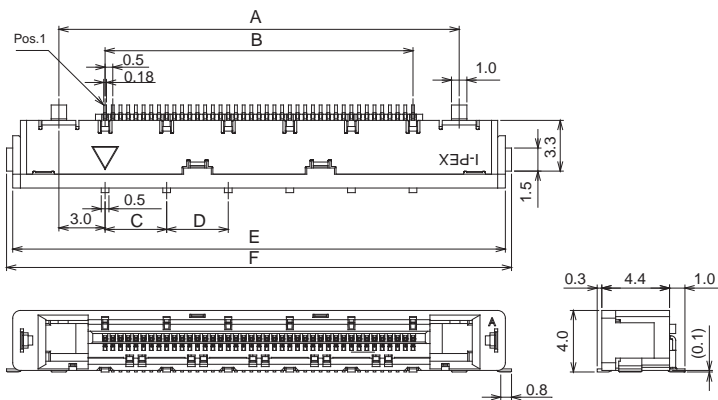
POS.	A	B	C	D
21p	20.2	17.7	10.0	25.2
31p	25.2	22.7	15.0	30.2
41p	30.2	27.7	20.0	35.2
51p	35.2	32.7	25.0	40.2



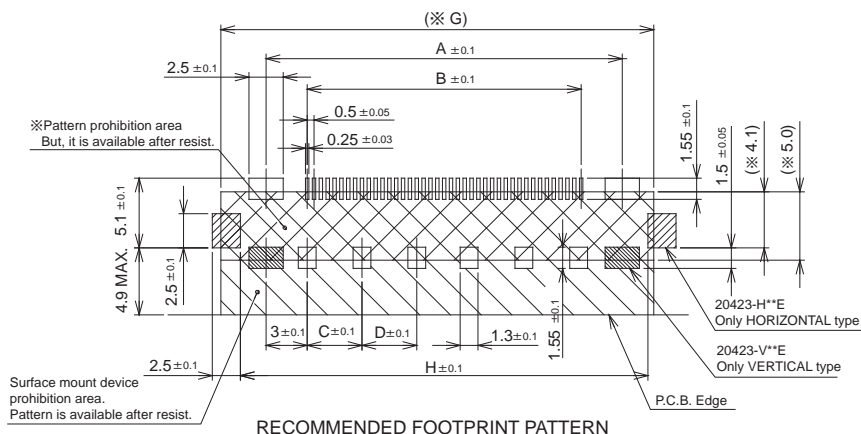
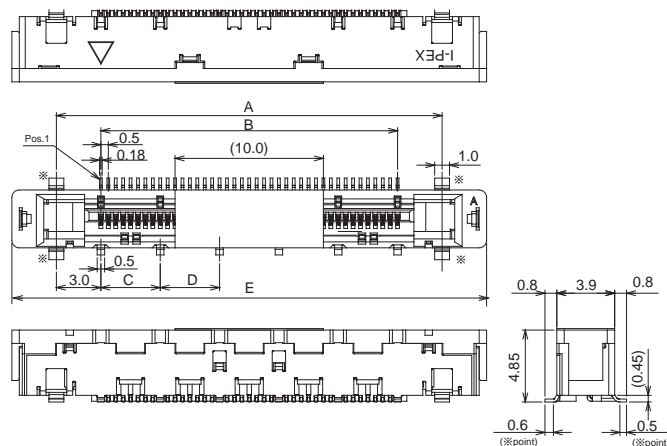
# RECEPTACLE

POS.	PART NO.	A	B	C	D	E	F	G	H
21p	20423-*21E	16.0	10.0	3.0	-	22.0	22.8	21.6	19.75
31p	20423-*31E	21.0	15.0	4.0	-	27.0	27.8	26.6	24.75
41p	20423-*41E	26.0	20.0	4.0	4.0	32.0	32.8	31.6	29.75
51p	20423-*51E	31.0	25.0	5.0	5.0	37.0	37.8	36.6	34.75

## HORIZONTAL type



## VERTICAL type



RECOMMENDED FOOTPRINT PATTERN

Product design and specification is subject to change for improvement without notice in advance. Please inquire to I-PEX representative for your confirmation.

# CABLIN<sup>®</sup>-G

## 1.0mm Pitch Horizontal Type



- 1.0mm Pitch Micro Coax Connector
- Impedance matching and EMI performance with METAL SHELL
- Choice of either Offset type or Zero Offset type of PC Board Side Connector
- Easy mechanical cable termination with “i-Fit<sup>®</sup>” Technology

### 【Number of Position】

14p, 20p

### 【Ordering Code】

Connector Set (for Cable)

Parts Ordering (HOUSING)

**20229- 0\*\* T-F**  
 ② ③

Parts Ordering (Cable Holder)

**1720- \* \*\* B**  
 ① ② ③

Connector Set (for PC Board)

**20268- 0\*\* E- \*\*H**  
 ① ② ③

### 【Applicable Cable Size】

Micro Coax	AWG #36, #38, #40
TWINCOAX	AWG #40
DISCRETE	AWG #36

①	Cable Type	<b>0</b>	Micro Coax
		<b>T</b>	TWINCOAX
		<b>W</b>	DISCRETE
②	POS.	<b>14</b> : 14pos. <b>20</b> : 20pos.	
③	Packaging	<b>T</b>	Tray
		<b>B</b>	Bag

①	POS.	<b>14</b> : 14pos. <b>20</b> : 20pos.	
②	Packaging	<b>E</b>	Emboss Tape
③	OFFSET	<b>01</b>	1.0mm (A TYPE)
		<b>02</b>	1.1mm (A TYPE)
		<b>12</b>	1.1mm (B TYPE) 20p only
		<b>03</b>	ZERO OFFSET

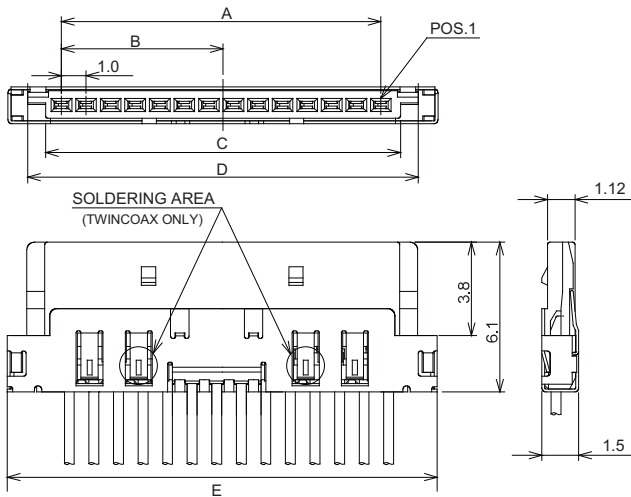
### 【Material / Finish】

Product	Parts	Material	Plating / Color
Cable Side	HOUSING	LCP UL94V-0	NATURAL
	CABLE HOLDER	LCP UL94V-0	NATURAL or BLACK
	CONTACT	COPPER ALLOY	Au(Mating Area) & Sn
	SHELL	COPPER ALLOY	Sn
Board Side	HOUSING	PPS UL94V-0	BLACK
	CONTACT	COPPER ALLOY	Au
	SHELL	COPPER ALLOY	Sn

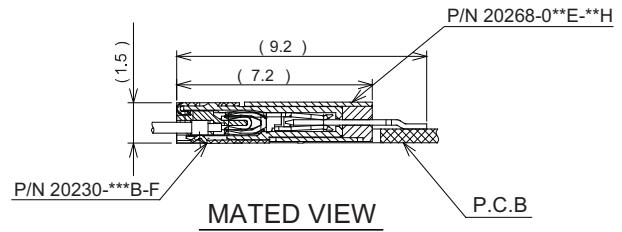
# CABLE SIDE

Set P/N: 20230-\*\*\*B-F

CABLIN<sup>®</sup>-G

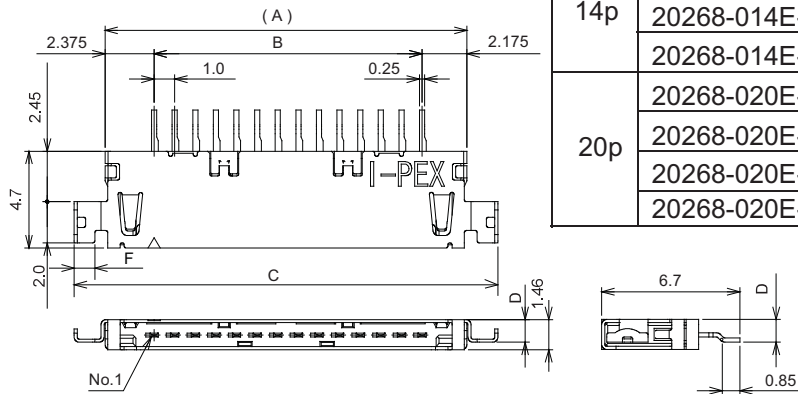


POS.	A	B	C	D	E	F
14p	13.0	6.575	14.45	15.9	17.5	14.35
20p	19.0	9.575	20.45	21.9	23.5	20.35

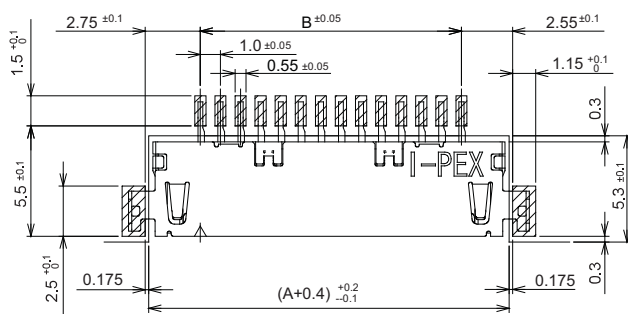


# PC Board SIDE

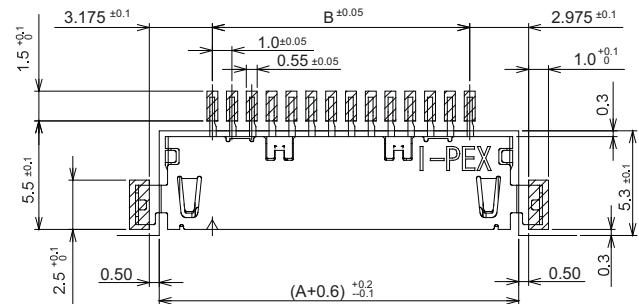
## OFFSET TYPE



POS.	PART NO.	A	B	C	D	E	F
14p	20268-014E-01H	17.55	13.0	19.95	1.0	-	0.7
	20268-014E-02H			19.75	1.1	-	0.7
	20268-014E-03H			18.25	-	17.95	-
20p	20268-020E-01H	23.55	19.0	25.95	1.0	-	0.7
	20268-020E-02H			25.75	1.1	-	0.7
	20268-020E-12H			26.55	1.1	-	1.0
	20268-020E-03H			24.25	-	23.95	-

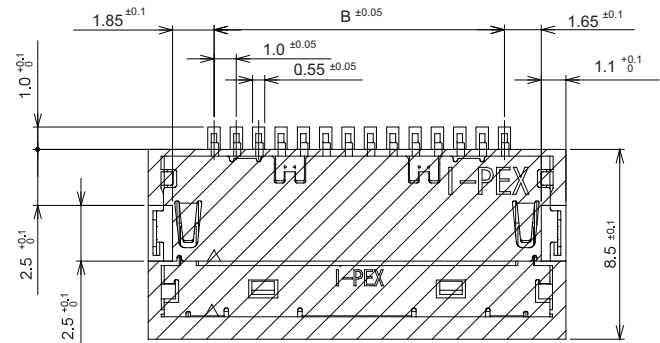
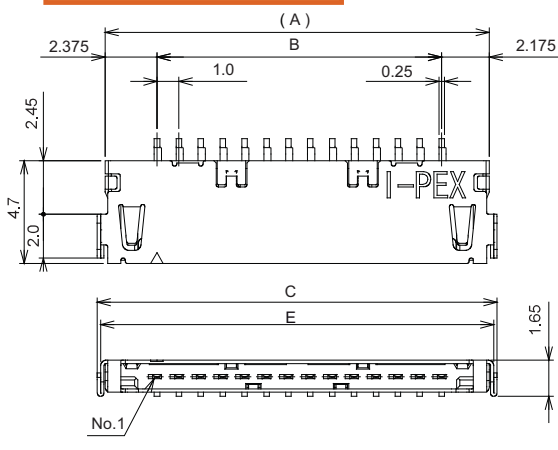


RECOMMENDED PATTERN LAYOUT (TYPE-A)



RECOMMENDED PATTERN LAYOUT (TYPE-B)

## ZERO OFFSET TYPE



RECOMMENDED PATTERN LAYOUT

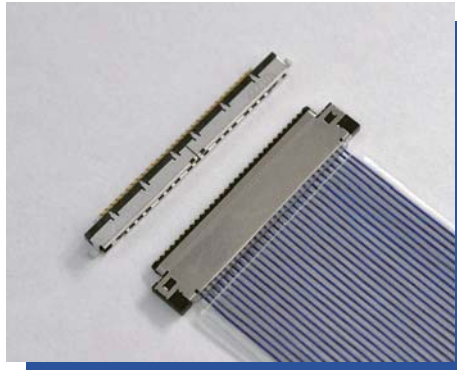
※ PATTERN IN THE AREA MAY TOUCH THE SHELL WHEN NO RESIST IS APPLIED

Product design and specification is subject to change for improvement without notice in advance. Please inquire to I-PEX representative for your confirmation.

# CABLINE®-FX II & III

1.0mm Pitch

Horizontal Type



- This is Board-to-Cable receptacle connector suitable for LCD/FPD interface of LVDS transmission
- Cable assembly by blanket soldering with different size cables for Micro Coax and Discrete wire
- **W-Point** contact with High mating reliability
- Soldering connection

## 【Number of Position】

30p

## 【Applicable Cable Size】

Micro Coax	AWG #32, #34, #36, #40
TWINCOAX	AWG #40
DISCRETE	AWG #28, #32, #36

## PLUG Connector Set (for Cable)

SET P/N	HOUSING P/N	SHELL A P/N	Product Name	NOTE
20337-*30T-11F	20338-*30T-11F	2030-0301F	CABLINE®-FX II-N	without LATCH
20339-*30T-12F	20340-*30T-12F	2030-0301F	CABLINE®-FX II-L	with LATCH
20385-*30T-12F	20386-*30T-12F	2030-0301F	CABLINE®-FX III	Large LATCH type

## RECEPTACLE Connector Set (for PC Board)

P/N	Product Name
20389-*30E-02	CABLINE®-FX II RECE. For PLUG without Latch
20389-*30E-03	CABLINE®-FX II RECE. For PLUG with Latch

## 【Material / Finish】

Product	Parts	Material	Plating / Color
PLUG	HOUSING	LCP UL 94V-0	BLACK
	CONTACT	COPPER ALLOY	Au
	SHELL A	COPPER ALLOY	Sn
	SHELL B	COPPER ALLOY	Sn
	LATCH	STAINLESS STEEL	-
RECEPTACLE	HOUSING	LCP UL 94V-0	BLACK
	CONTACT	COPPER ALLOY	Au
	SHELL	COPPER ALLOY	Sn
	LATCH LOCK	STAINLESS STEEL	-

**PLUG**

**CABLIN<sup>®</sup>-FX II-N**

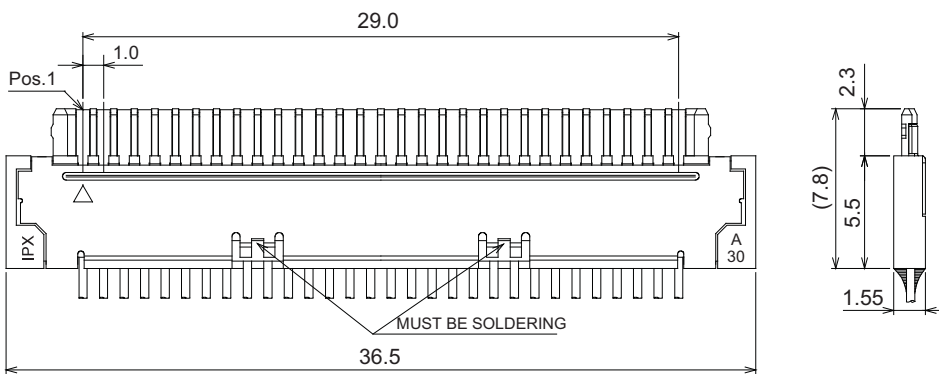
Parts Ordering (HOUSING)

**20338- \* 30 T-11F**  
 ① ② ③

①	CONTACT	<b>0</b>	0.7 μm MIN.
	Au Plating	<b>Y</b>	0.2 μm MIN.
②	POS.	<b>30</b>	30pos.
③	Packaging	<b>T</b>	Tray

Parts Ordering (SHELL A)

**2030-0301F**



**CABLIN<sup>®</sup>-FX II-L**

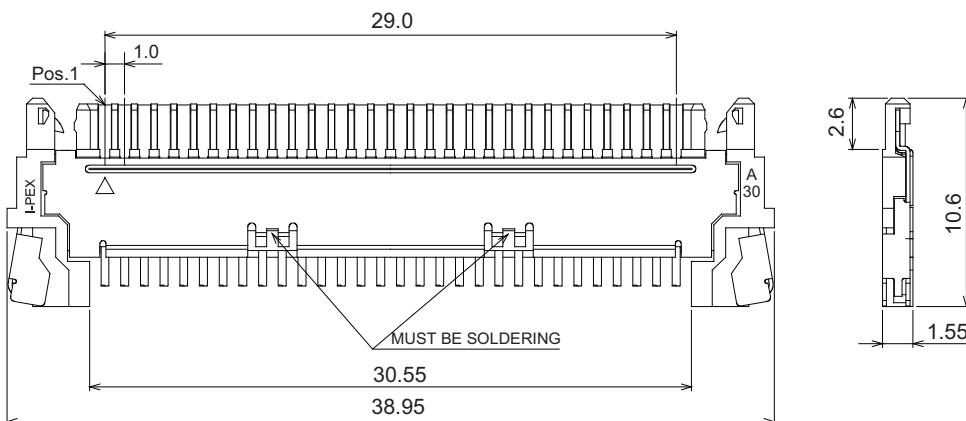
Parts Ordering (HOUSING)

**20340- \* 30 T-12F**  
 ① ② ③

①	CONTACT	<b>0</b>	0.7 μm MIN.
	Au Plating	<b>Y</b>	0.2 μm MIN.
②	POS.	<b>30</b>	30pos.
③	Packaging	<b>T</b>	Tray

Parts Ordering (SHELL A)

**2030-0301F**



**PLUG**

**CABLINE® -FX III**

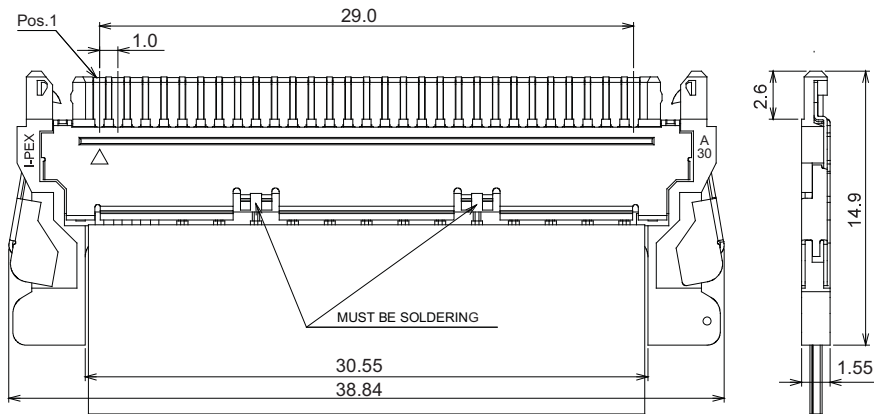
Parts Ordering (HOUSING)

**20386- \* 30 T -12F**  
 ① ② ③

Parts Ordering (SHELL A)

**2030-0301F**

①	CONTACT Au Plating	<b>0</b>	0.7 μ m MIN.
		<b>Y</b>	0.2 μ m MIN.
②	POS.	<b>30</b>	: 30pos.
③	Packaging	<b>T</b>	Tray



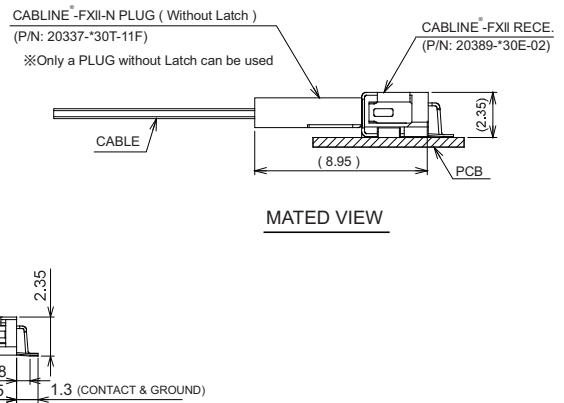
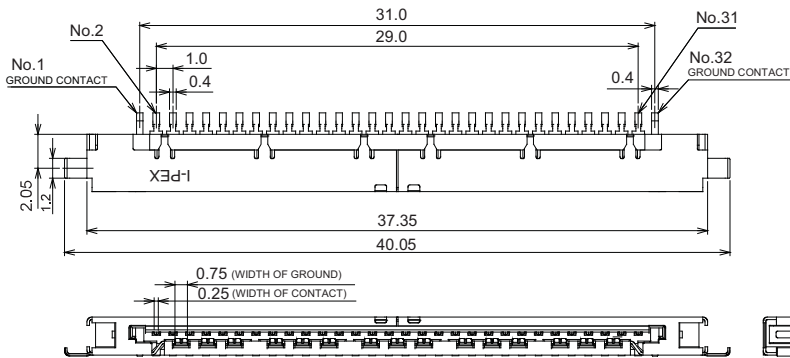
# RECEPTACLE

For PLUG without Latch

【Ordering Code】

**20389- \* 30 E -02**  
 ① ② ③

①	CONTACT	<b>0</b>	0.7 μ m MIN.
	Au Plating	<b>Y</b>	0.2 μ m MIN.
②	POS.	<b>30</b>	30pos.
③	Packaging	<b>E</b>	Emboss Tape

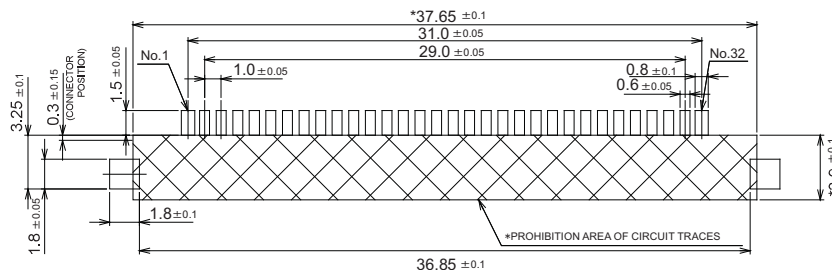
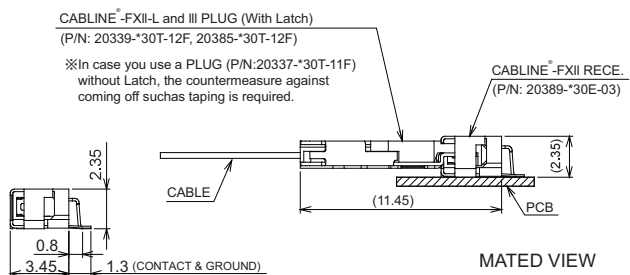
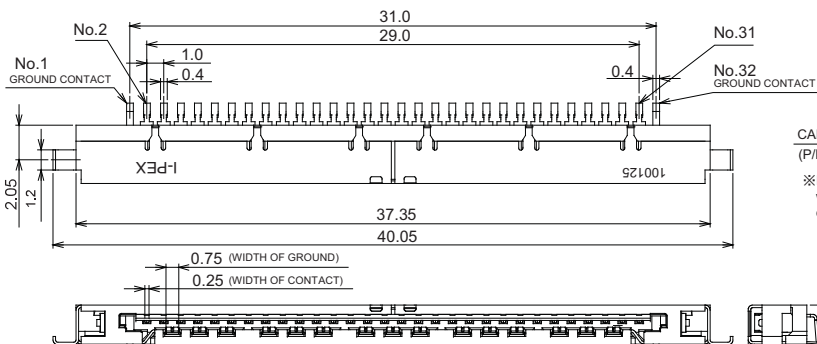


For PLUG with Latch

【Ordering Code】

**20389- \* 30 E -03**  
 ① ② ③

①	CONTACT	<b>0</b>	0.7 μ m MIN.
	Au Plating	<b>Y</b>	0.2 μ m MIN.
②	POS.	<b>30</b>	30pos.
③	Packaging	<b>E</b>	Emboss Tape



RECOMMENDED PATTERN LAYOUT

Product design and specification is subject to change for improvement without notice in advance. Please inquire to I-PEX representative for your confirmation.

# CABLIN<sup>®</sup>-F

## 1.25mm Pitch Horizontal Type



- 1.25mm Pitch Micro Coax Connector
- Impedance matching and EMI performance with METAL SHELL
- SPWG1.0 Compatible
- Easy mechanical cable termination with “i-Fit<sup>®</sup>” Technology

### 【Number of Position】

20p

### 【Ordering Code】

Connector Set (for Cable)

Parts Ordering (HOUSING)

**20199- 020 U-F**  
 ① ②

Parts Ordering (Cable Holder)

**1653- 020 B- \*\***  
 ① ② ③

Connector Set (for PC Board)

**20186- 020 E- 1 \* F**  
 ① ② ③

### 【Material / Finish】

Product	Parts	Material	Plating / Color
Cable Side	HOUSING	PPS UL94V-0	NATURAL
	CABLE HOLDER	PPS UL94V-0	NATURAL
	CONTACT	COPPER ALLOY	Au(Mating area) & Sn
	SHELL	COPPER ALLOY	Sn
Board Side	HOUSING	LCP UL94V-0	NATURAL
	CONTACT	COPPER ALLOY	Au
	SHELL	COPPER ALLOY	Sn

### 【Applicable Cable Size】

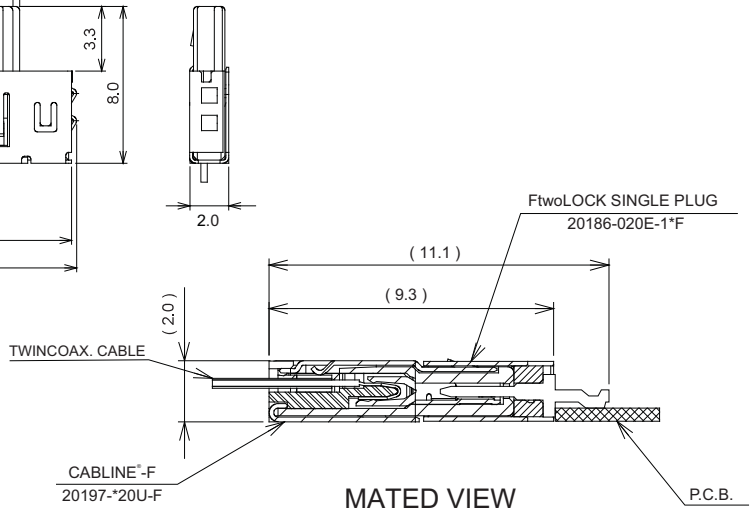
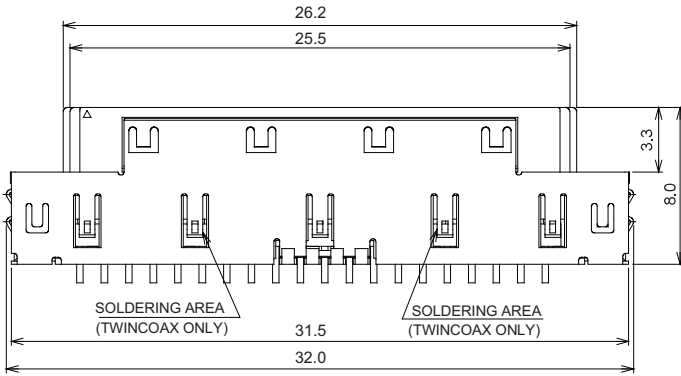
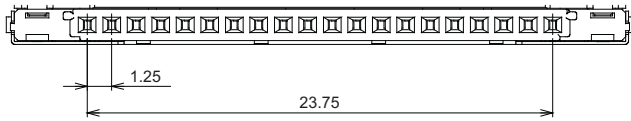
Micro Coax	AWG #36, #38, #40
TWINCOAX	AWG #40

①	POS.	20 : 20pos.	
②	Packaging	U	Tube
		B	Bag
③	Cable Type	NON	Micro Coax
		01	TWINCOAX

①	POS.	20 : 20pos.	
②	Packaging	E	Emboss Tape
③	OFFSET	1	1.48mm
		2	1.31mm
		3	1.00mm

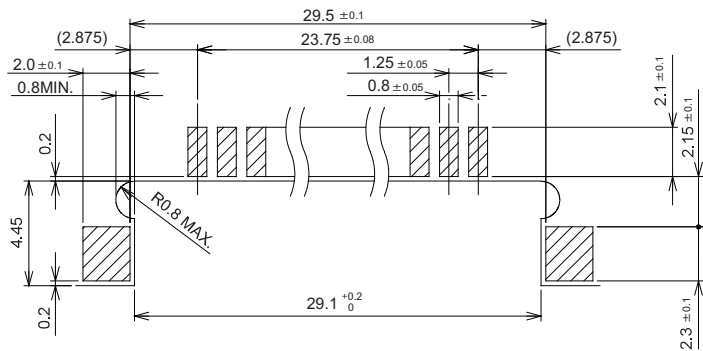
**CABLE SIDE**

Set P/N: 20197-\*20U-F

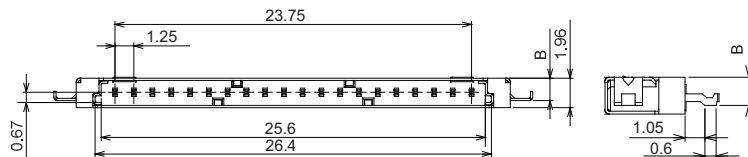
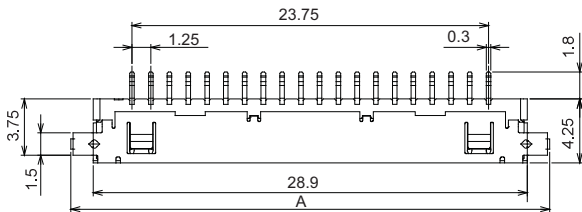


**PC Board SIDE**

PART NO.	A	B
20186-020E-11F	31.9	1.48
20186-020E-12F	32.26	1.31
20186-020E-13F	32.86	1.00



RECOMMENDED PATTERN LAYOUT



# CABLINE® -VSF

## 0.5mm Pitch Horizontal Type FPC connector



- CABLINE® -VSF plug mates to CABLINE® -VS receptacle which is VESA® standard 16:9 display connector.
- Shielded FPC connector solution to support eDP (5.4Gbps), High level EMI shield performance .
- Locking bar prevents accident unmating (Shell with Lock bar)

### 【Number of Position】

**30p, 40p**

### 【Ordering Code】

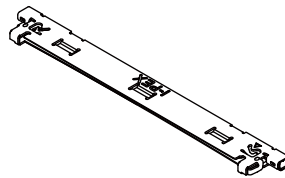
FPC Attachment

SHELL

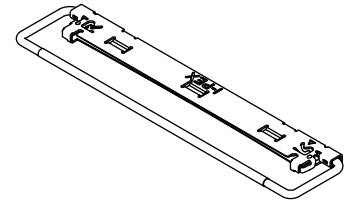
**3049-0 \*\* 1**  
①

SHELL with Lock Bar

**20645 - 0 \*\* T - 01**  
① ②



Shell



Shell with Lock bar

### 【Applicable Cable Size】

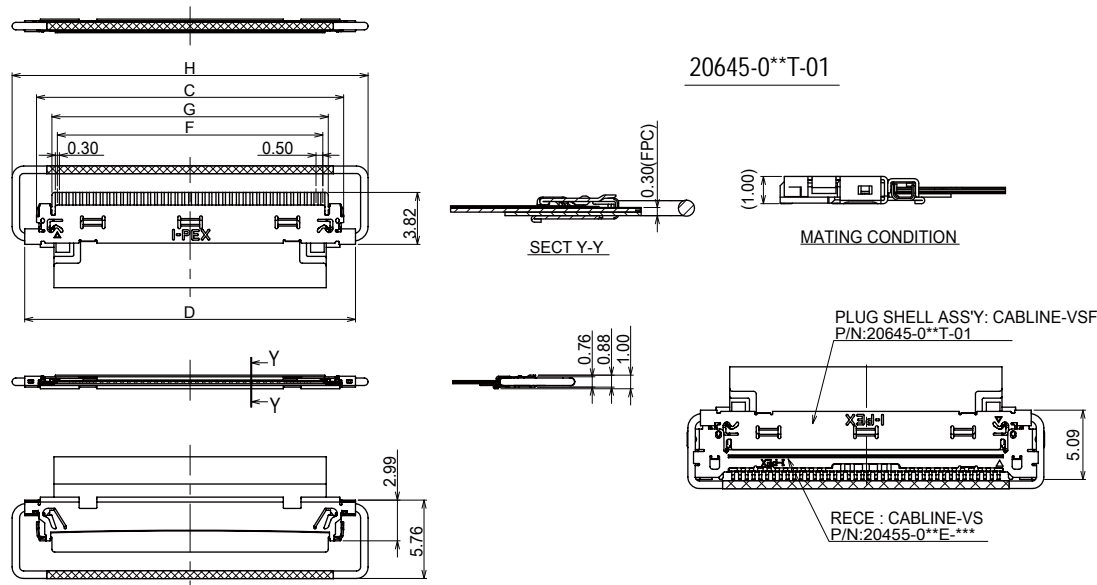
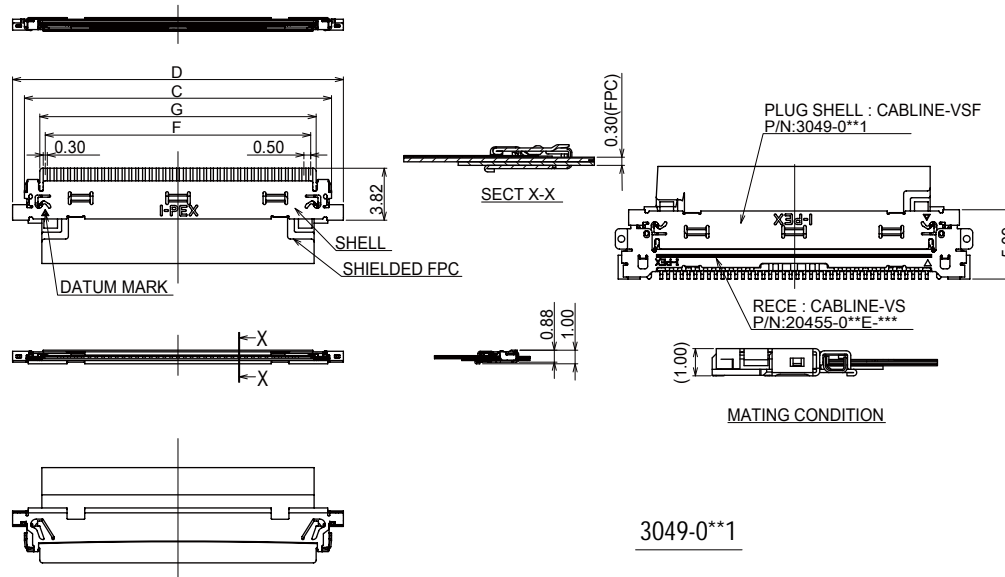
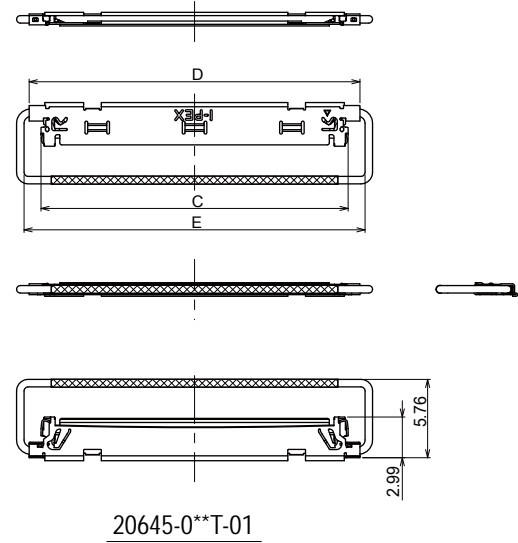
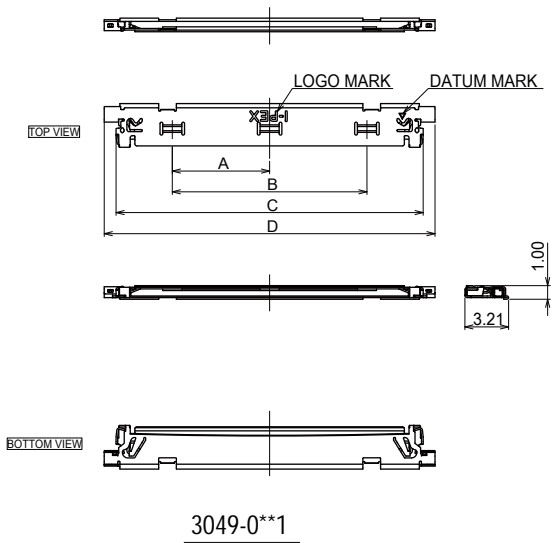
0.5mm Pitch Shielded FPC

①	POS.	<b>30:</b> 30pos	<b>40:</b> 40pos
②	Packaging	<b>T</b>	Tray

### 【Material / Finish】

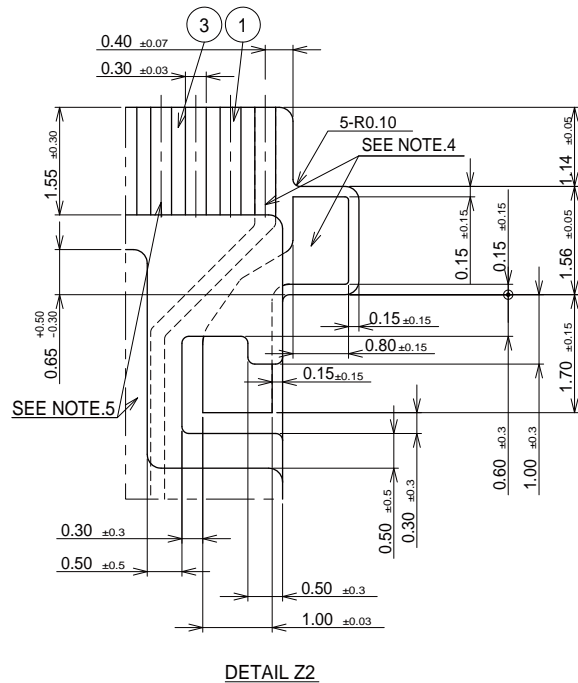
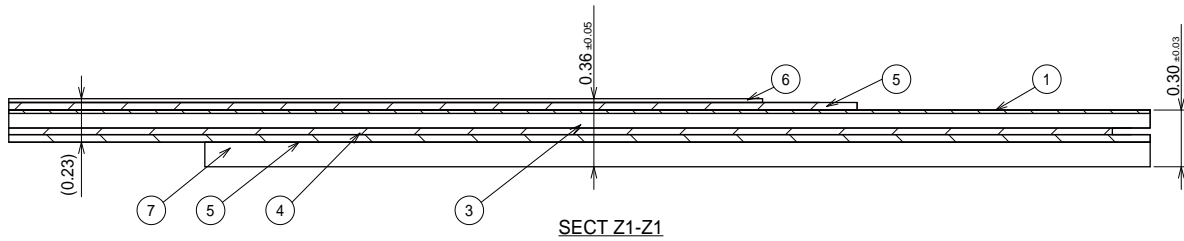
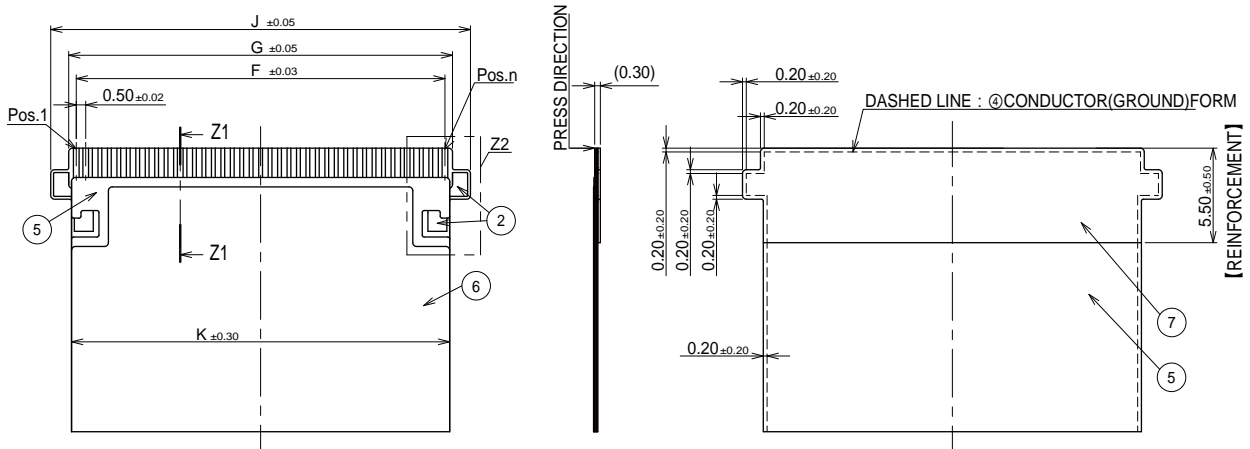
Parts	Material	Plating / Color
SHELL	COPPER ALLOY	Au
Lock bar	SUS	-

POS.	PART NO.	A	B	C	D	E	F	G	H
30	3049-0**1	4.65	9.30	17.56	19.30	20.05	14.50	15.30	21.15
40	20645-0**T-01	7.15	14.30	22.56	24.30	25.05	19.50	20.30	26.15



POS.	F	G	J	K
30	14.50	15.30	17.20	15.00
40	19.50	20.30	22.20	20.00

### RECOMMENDED FPC DIMENSION



#### NOTES.

- ADHESIVE SHOULD USE THERMOSETTING.
- No.2 : CONDUCTOR(GROUND) AND No.4 : CONDUCTOR(GROUND) ARE CARRYING OUT THE ELECTRICAL CONNECTION.
- No.4 : CONDUCTOR(GROUND) AND No.6 : SHIELD FILM ARE CARRYING OUT THE ELECTRICAL CONNECTION.
- No.1 : CONDUCTOR(SIGNAL) AND No2 : CONDUCTOR(GROUND) ARE NOT CONTACTING.
- No.1 : CONDUCTOR(SIGNAL) AND No.6 : SHIELD FILM ARE NOT CONTACTING.

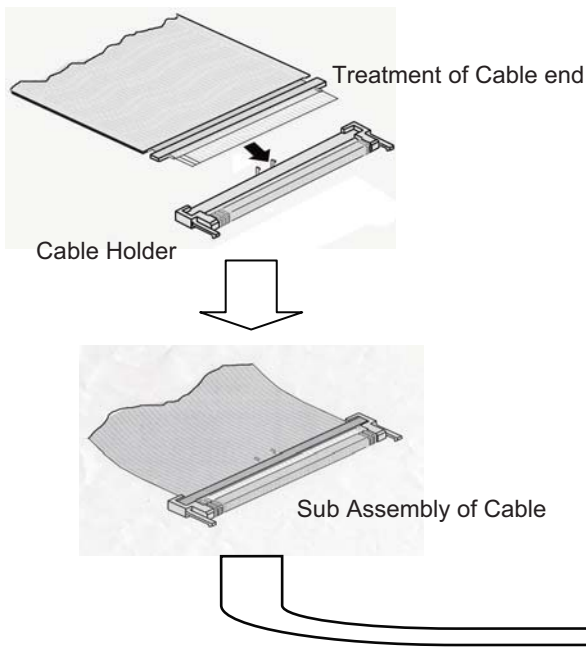
# Application Tooling

Two tools are provided for "i-Fit" contact cable assembly.

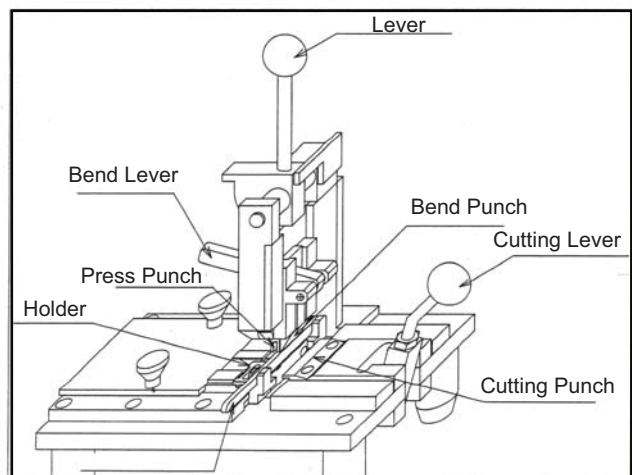
Step 1. Treatment of Cable-end by Cut & Bending tool and setting it on Cable Holder

Step 2. Assemble cable connector by Housing Insertion and Tab Bending tool

## Process

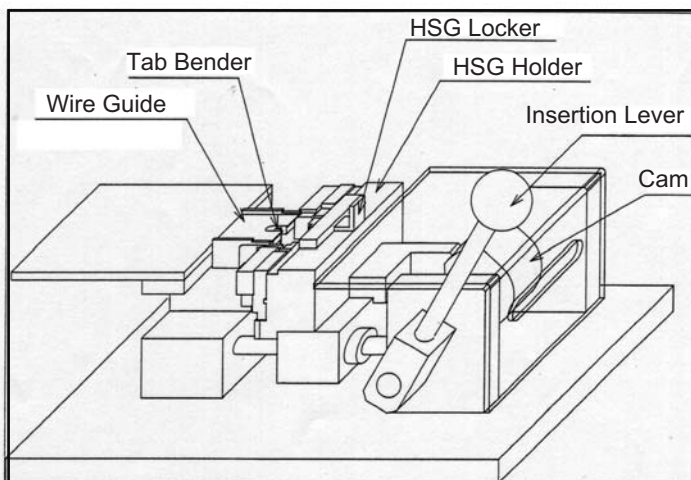


## Cut & Bending tool

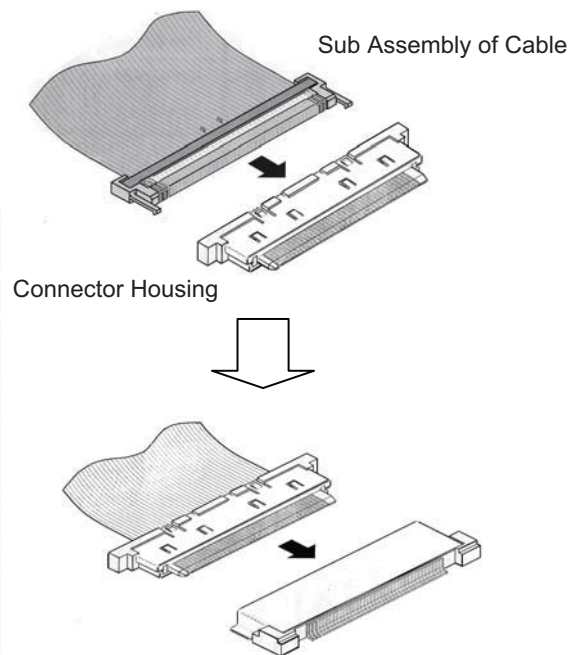


Terminated cable conductor is set on cable holder by this tool.

## Housing insertion & Tab Bending tool



Sub assembly cable set is inserted into connector housing and then housing is fixed by bending tab of housing.



## Finished Cable Assembly

[ MEMO ]



**I-PEX** DAI-ICHI SEIKO CO.,LTD.  
I-PEX Business Company

**TOKYO**

DAI-ICHI SEIKO CO., LTD. TOKYO OFFICE  
(I-PEX Business Company)  
Machida ST Bldg., 1-33-10 Morino,  
Machida-City, Tokyo, 194-0022, Japan  
TEL 042-729-1670 FAX 042-729-1671

**SHANGHAI**

I-PEX (SHANGHAI) CO., LTD.  
10F, Room 1002-1003, Tong Quan Tower,  
NO.678, Gubei Road, Chang Ning District,  
Shanghai 200336, China  
TEL 86-21-5208-1611 FAX 86-21-5208-1612

**OSAKA**

DAI-ICHI SEIKO CO., LTD. OSAKA BRANCH  
(I-PEX Business Company)  
5F Chiyoda Bldg., Nishi-Kan,  
2-5-4 Umeda, Kita-Ku, Osaka-City,  
Osaka, 530-0001, Japan  
TEL 06-6346-2022 FAX 06-6346-2023

**KOREA**

I-PEX KOREA CO., LTD.  
D801, Digital Empire Bldg. 980-3, YoungTong dong,  
YoungTong Gu Suwon si, KyeonGi-Do, 443-470 Korea  
TEL 82-31-206-1492 FAX 82-31-206-1494

**TAIWAN**

DAI-ICHI SEIKO I-PEX CO., LTD. TAIWAN  
BRANCH (JAPAN)  
15F-6, No.700, Jung Jeng Rd., Jung He Dist.,  
New Taipei City 235, Taiwan, R.O.C.  
TEL 886-2-8227-9288 FAX 886-2-8227-8665

**HONG KONG**

I-PEX ELECTRONICS (H.K.) LTD.  
Suite 1501A, 15/F, Skyline Tower, No.39 Wang Kwong  
Road, Kowloon Bay, Kowloon, Hong Kong  
TEL 852-2735-8077 FAX 852-2735-8099

**U. S. A.**

I-PEX USA LLC  
2305 Donley Drive, Suite110, Austin, Texas 78758 U.S.A.  
TEL 1-512-339-IPEX(4739) FAX 1-512-339-4745

**SINGAPORE**

I-PEX (SINGAPORE) PTE LTD.  
55 Yishun Industrial Park A,  
768728, Singapore  
TEL 65-6333-0662 FAX 65-6333-0663

**FRANCE**

I-PEX FRANCE  
Tour Sébastopol -3 quai Kléber, Strasbourg,  
67000, France  
TEL 33-3-8823-7152 FAX 33-3-8823-7000

<http://www.i-pex.com>

Product design and specification is subject to change for improvement without notice in advance. Please inquire to I-PEX representative for your confirmation.

©2012 DAI-ICHI SEIKO Co.,Ltd.

2013/08R8