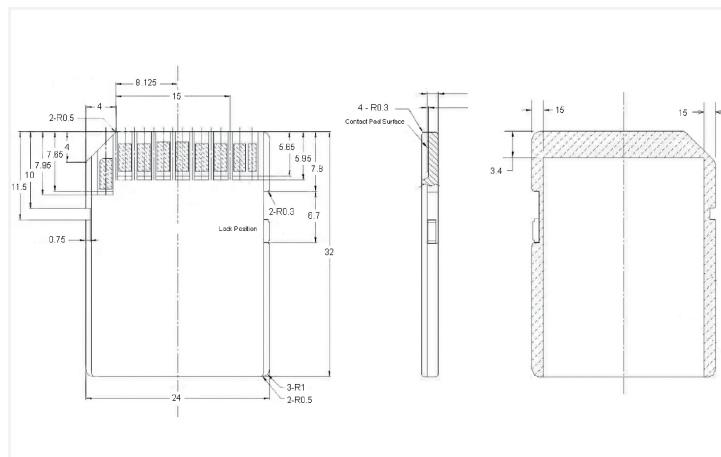


Data Sheet | Item Number: 758-879/000-001
 Memory Card SD; SLC-NAND; 2 GByte; Temperature from -40 to 90 °C

<https://www.wago.com/758-879/000-001>



Dimensions in mm

The SD memory card replaces traditional storage media and is used to store customer data and boot projects, or to transport this data between devices. Thanks to its extended temperature range, the memory card can also be used in applications in up to 70 °C. The SLC flash technology used for this card and the wear leveling flash management process employed enhance the reliability and service life of the memory card – a vital requirement for use in industrial applications.

This memory card is compatible to the SD standard, enabling it to be used in any data processing system equipped with an SD slot.

The industrial memory card has the following system features:

- Storage capacity: 2 GB
- Single-Level Cell (SLC) NAND flash memory for enhanced service life and reliability
- Compatible to the SDA Physical Layer Specification, Version 2.0
- Error correction function: < 1 error per 10¹⁵ bits READ
- Statistical & dynamic wear leveling for enhancing reliability and availability
- Supports CPRM (Content Protection for Recordable Media)

Technical data

Memory	2 GB (SLC)
Write/read cycles (max.)	17 MB/s / 20 MB/s
MTBF	4,000,000 h
Service life	per Cell: 100.000 write cycles

Physical data

Width	24 mm
Height	32 mm
Depth	2.1 mm

Material data

Fire load	0 MJ
Weight	5 g

Environmental requirements

Ambient temperature (operation)	-40 ... +90 °C
Ambient temperature (storage)	-40 ... +90 °C
Relative humidity (without condensation)	95 %
Vibration resistance	15g
Shock resistance	50g

Commercial data

PU (SPU)	1 pcs
Packaging type	Box
Country of origin	TW
GTIN	4050821007616
Customs tariff number	85235110000

Product Classification

UNSPSC	43202005
eCl@ss 10.0	19-15-07-02
eCl@ss 9.0	19-15-07-02
ETIM 9.0	EC001068
ETIM 10.0	EC001068
ECCN	NO US CLASSIFICATION

Environmental Product Compliance

RoHS Compliance Status	Compliant, No Exemption
------------------------	-------------------------

Approvals / Certificates

General approvals



Approval	Standard	Certificate Name
EAC GZO Almaty Standart	TP TC 020/2011	EAC CoC 03083

Declarations of conformity and manufacturer's declarations

Approval	Standard	Certificate Name
EU-Declaration of Conformity WAGO GmbH & Co. KG	-	-
UK-Declaration of Conformity WAGO GmbH & Co. KG	-	-

Approvals for marine applications



Approval	Standard	Certificate Name
ABS American Bureau of Shipping	-	25-0415412
BV Bureau Veritas S.A.	-	30389/C0 BV
DNV DNV GL SE	DNV-CG-0339, Aug. 2021	TAA0000194

Approvals for marine applications

LR Lloyds Register EMEA	-	LR22180952TA
PRS Polski Rejestr Statków	-	TE/1101/880590/23

Downloads

Environmental Product Compliance

Compliance Search

Environmental Product Compliance 758-879/000-001	↓
---	---

Documentation

Bid Text

758-879/000-001	27.11.2018	docx 16.46 KB	↓
758-879/000-001	19.02.2019	xml 4.32 KB	↓

Application Notes

Application Note e!COCKPIT

eCOCKPIT Application Note WagoAppDatalog- ger	1.0.3 06.12.2021	pdf 1353.81 KB	↓
---	---------------------	-------------------	---

CAD/CAE-Data

CAE data

EPLAN Data Portal 758-879/000-001	↓
WSCAD Universe 758-879/000-001	↓

Subject to changes. Please also observe the further product documentation!

Current addresses can be found at: www.wago.com