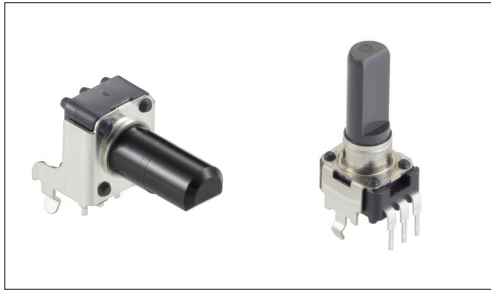


Potentiometers Rotary Potentiometer (Insulated shaft type)

9mm Size Insulated Shaft Snap-in Type RK09K/RK09D Series

Compact type with a 9.8mm body width, supporting high-density set designs.



- Total resistance tolerance: $\pm 20\%$
- Maximum operating voltage: 50V AC, 20V DC
- Rotational torque: 1 to 8mN·m
- Operating life: 5,000 cycles
- Operating temperature range: -10°C to $+70^{\circ}\text{C}$

Applications: Home: Major home appliances, Office equipment
Audio_TV: Visual, Audio, Pro audio

Product List

Products No.	Type	Number of resistor elements	Control part orientation (Mounting height)	Shaft types	Length of the shaft LM1 (mm)	Detent	Total resistance	Resistance taper	Automotive	Drawing No.
RK09K113004U	—	Single-unit	Vertical	Flat	15.0	Center detent	10k Ω	1B	—	1
RK09K1130A6S		Single-unit	Vertical	Flat	15.0	Without	10k Ω	1B	—	
RK09K11300DR		Single-unit	Vertical	Knob	15.0	Center detent	10k Ω	1B	—	2
RK09K1130A8G		Single-unit	Vertical	Knob	15.0	Without	10k Ω	1B	—	
RK09K1130081		Single-unit	Vertical	Knob	20.0	Center detent	10k Ω	1B	—	3
RK09K1130A5R		Single-unit	Vertical	Knob	20.0	Without	10k Ω	1B	—	
RK09K1130AP5		Single-unit	Vertical	Driver	15.0	Without	10k Ω	1B	—	4
RK09K1130AST		Single-unit	Vertical	Driver	20.0	Without	10k Ω	1B	—	5
RK09K111009J		Single-unit	Horizontal	Flat	15.0	Center detent	10k Ω	1B	—	6
RK09K1110AK4		Single-unit	Horizontal	Flat	15.0	Without	10k Ω	1B	—	
RK09K11100DN		Single-unit	Horizontal	Flat	20.0	Center detent	10k Ω	1B	—	7
RK09K1110AAR		Single-unit	Horizontal	Flat	20.0	Without	10k Ω	1B	—	
RK09K1110077		Single-unit	Horizontal	Knob	20.0	Center detent	10k Ω	1B	—	8
RK09K1110A0J		Single-unit	Horizontal	Knob	20.0	Without	10k Ω	1B	—	
RK09K1110AMJ		Single-unit	Horizontal	Flat	15.0	Without	10k Ω	1B	—	9
RK09K1110B26		Single-unit	Horizontal	Flat	20.0	Without	10k Ω	1B	—	10
RK09D1130C3W		Single-unit	Vertical	Flat	20.0	Center detent	10k Ω	1B	—	11
RK09D1130C1B		Single-unit	Vertical	Flat	20.0	Without	10k Ω	1B	—	
RK09D1130C3C		Single-unit	Vertical	Flat	25.0	Center detent	10k Ω	1B	—	12
RK09D1130C2P		Single-unit	Vertical	Flat	25.0	Without	10k Ω	1B	—	
RK09D1110C1A	Single-unit	Horizontal	Flat	25.0	Without	10k Ω	1B	—	13	
RK09K1130D62	Clear-shaft	Single-unit	Vertical	Knob	20.0	Without	10k Ω	1B	—	14

⚠ Note

1. This catalog shows only outline specifications. When using the products, please obtain formal specifications for supply.
2. Please place purchase orders per minimum order unit (integer).
3. Products other than those listed in above products are also available. Please contact us for details.

Potentiometers Rotary Potentiometer (Insulated shaft type)

9mm Size Insulated Shaft Snap-in Type
RK09K/RK09D Series

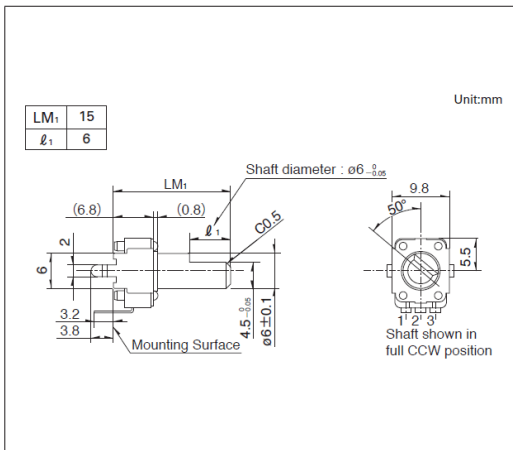
■ Packing Specifications

Bulk

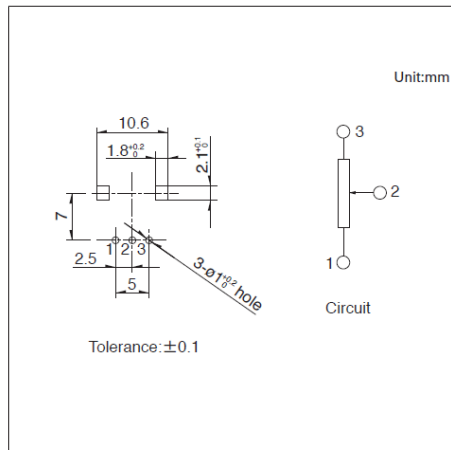
Number of packages (pcs.)		Export package measurements (mm)
1 case / Japan	1 case / export packing	
1,000	2,000	528 x 369 x 178

Drawing No.1

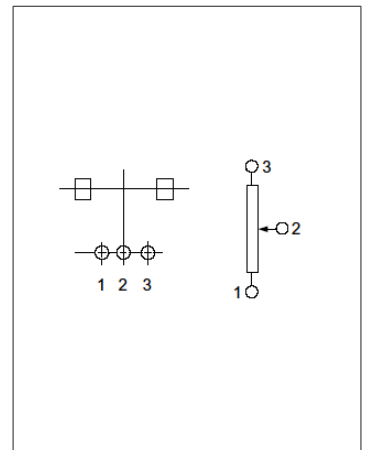
■ Dimensions



■ Mounting Hole Dimensions



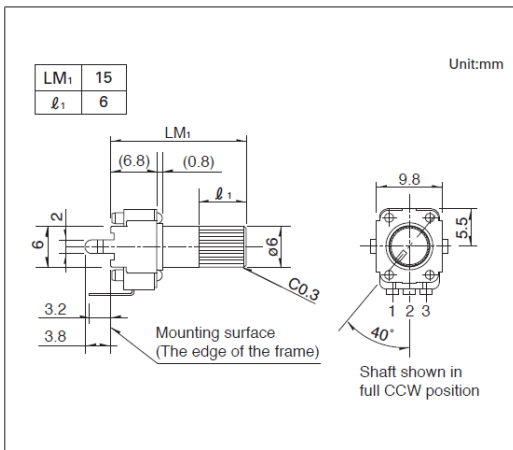
■ Terminal Layout / Circuit Diagram



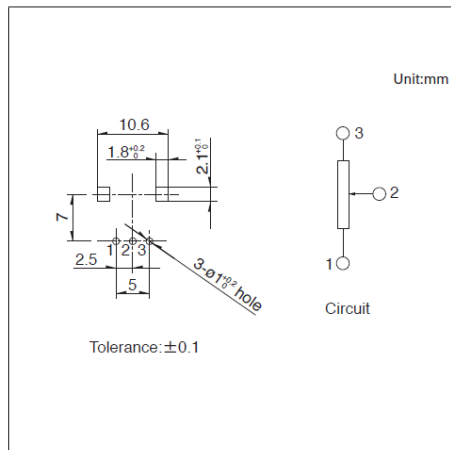
Viewed from mounting side.

Drawing No.2

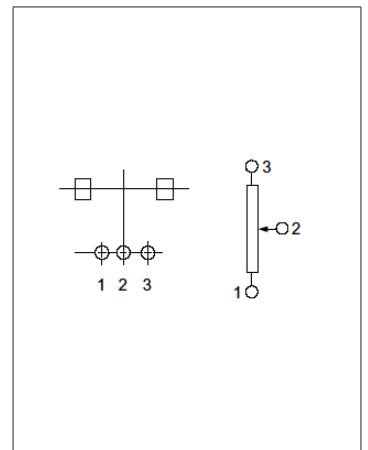
■ Dimensions



■ Mounting Hole Dimensions



■ Terminal Layout / Circuit Diagram

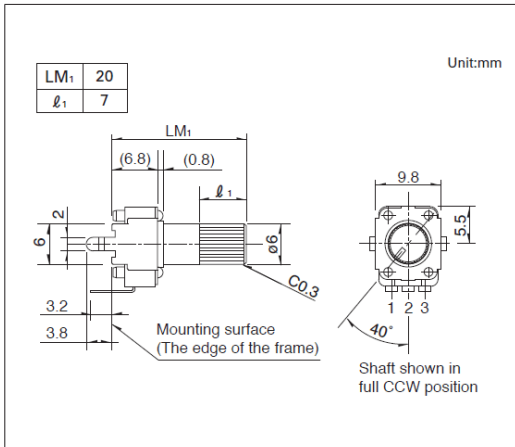


Viewed from mounting side.

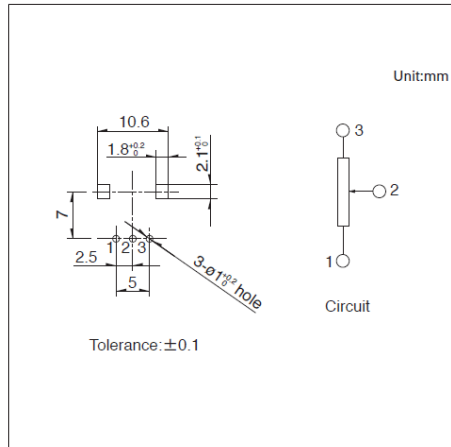
9mm Size Insulated Shaft Snap-in Type
RK09K/RK09D Series

Drawing No.3

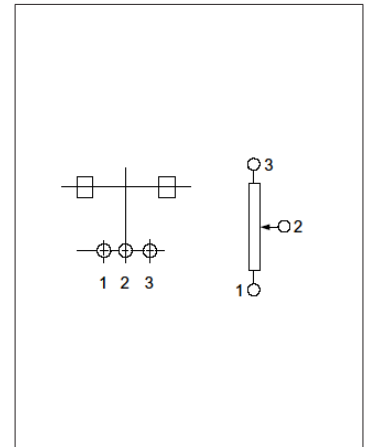
■ Dimensions



■ Mounting Hole Dimensions



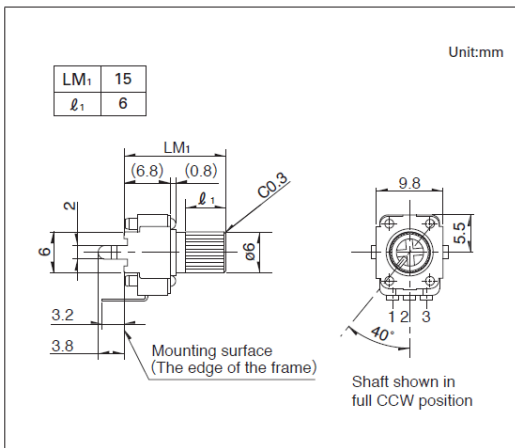
■ Terminal Layout / Circuit Diagram



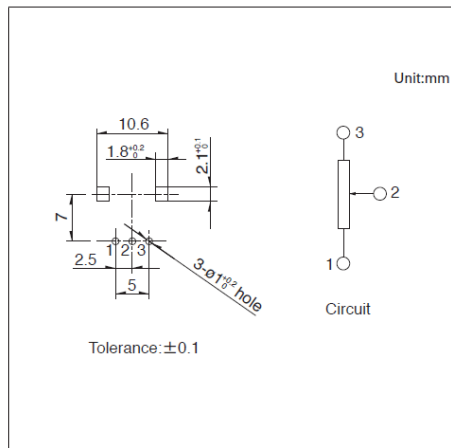
Viewed from mounting side.

Drawing No.4

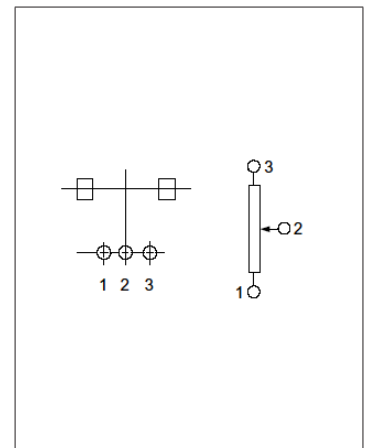
■ Dimensions



■ Mounting Hole Dimensions



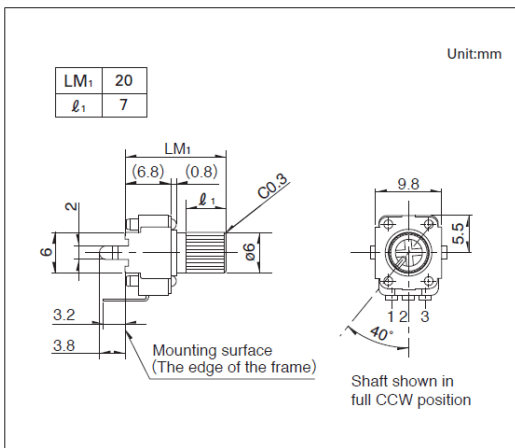
■ Terminal Layout / Circuit Diagram



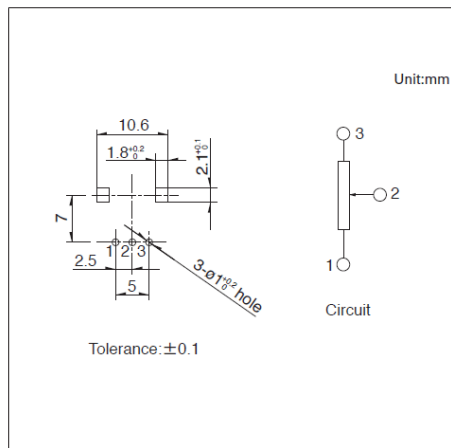
Viewed from mounting side.

Drawing No.5

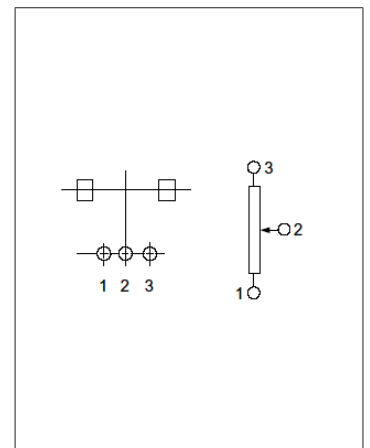
■ Dimensions



■ Mounting Hole Dimensions



■ Terminal Layout / Circuit Diagram

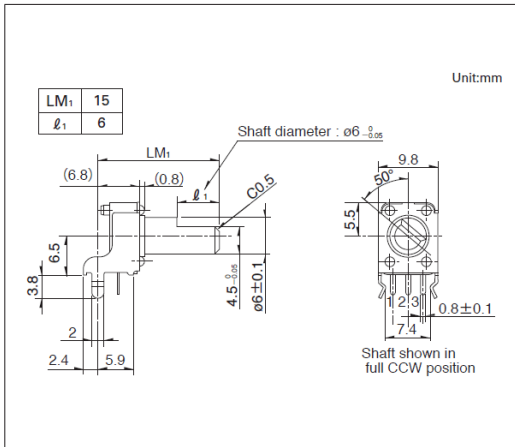


Viewed from mounting side.

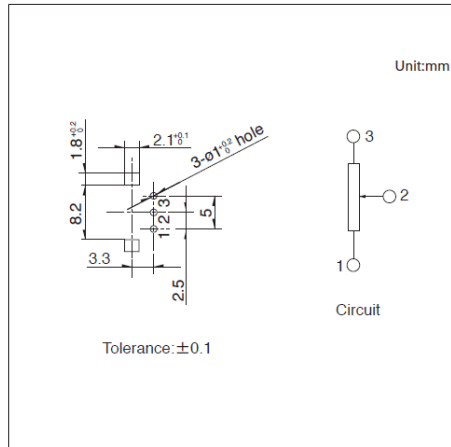
9mm Size Insulated Shaft Snap-in Type
RK09K/RK09D Series

Drawing No.6

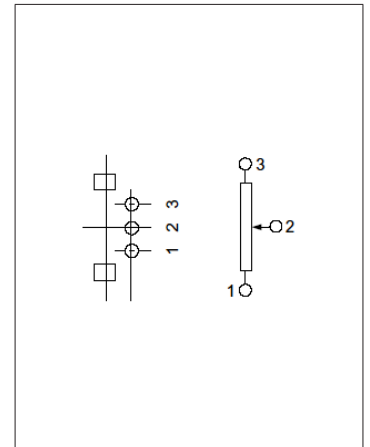
■ Dimensions



■ Mounting Hole Dimensions



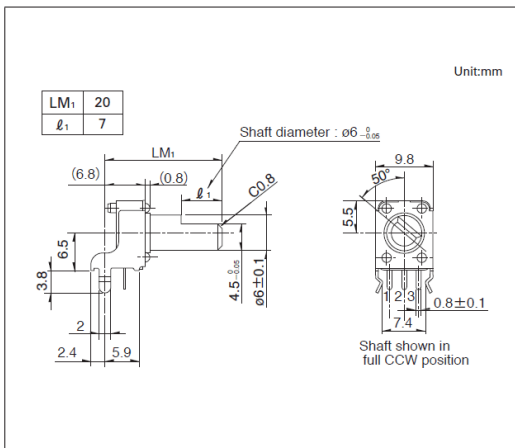
■ Terminal Layout / Circuit Diagram



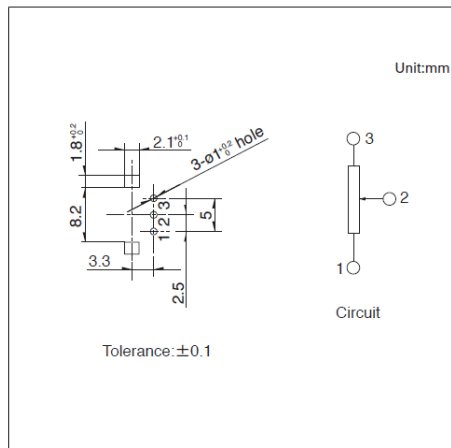
Viewed from mounting side.

Drawing No.7

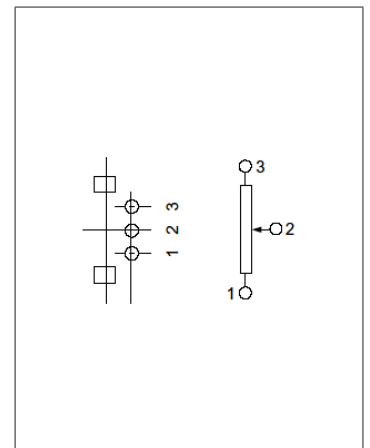
■ Dimensions



■ Mounting Hole Dimensions



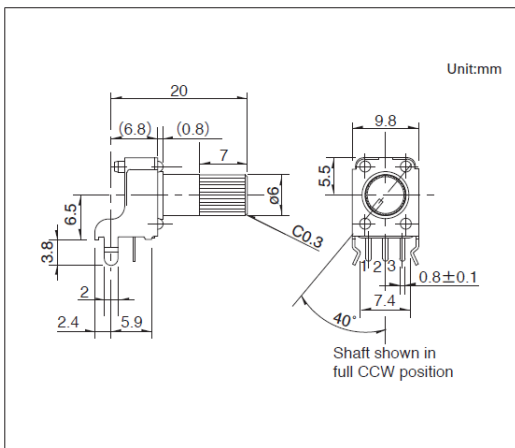
■ Terminal Layout / Circuit Diagram



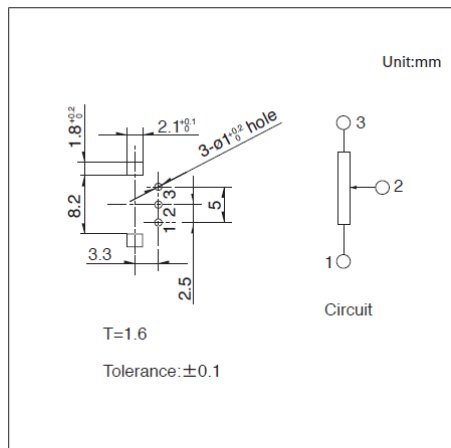
Viewed from mounting side.

Drawing No.8

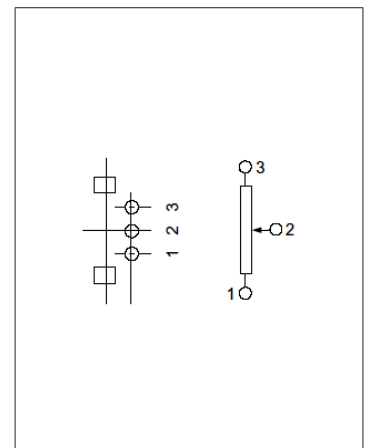
■ Dimensions



■ Mounting Hole Dimensions



■ Terminal Layout / Circuit Diagram

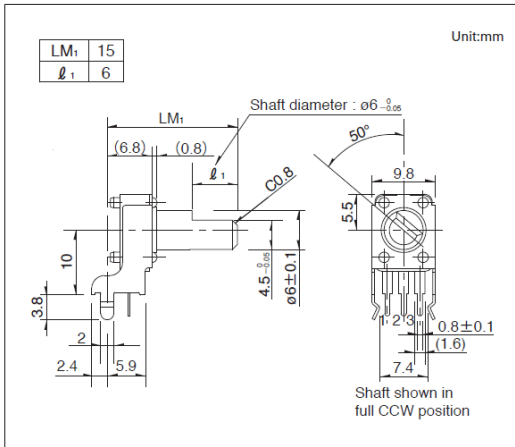


Viewed from mounting side.

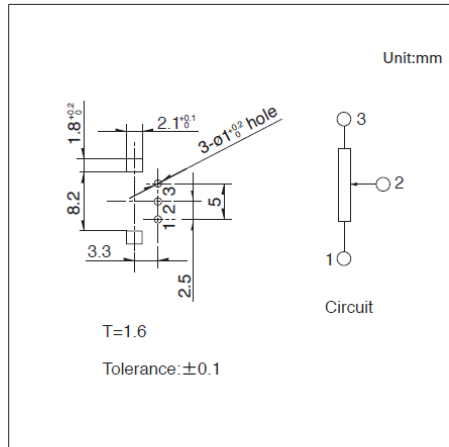
9mm Size Insulated Shaft Snap-in Type
RK09K/RK09D Series

Drawing No.9

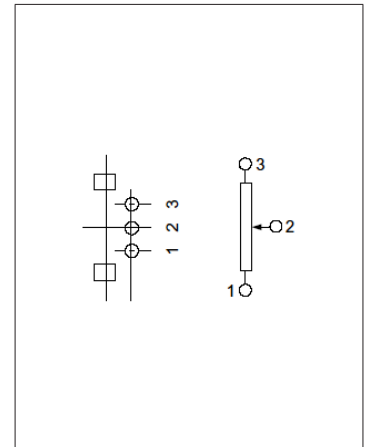
■ Dimensions



■ Mounting Hole Dimensions



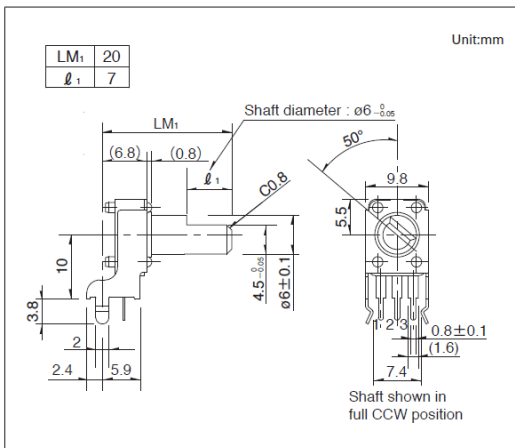
■ Terminal Layout / Circuit Diagram



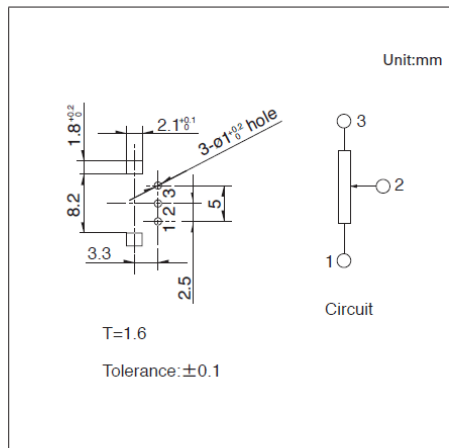
Viewed from mounting side.

Drawing No.10

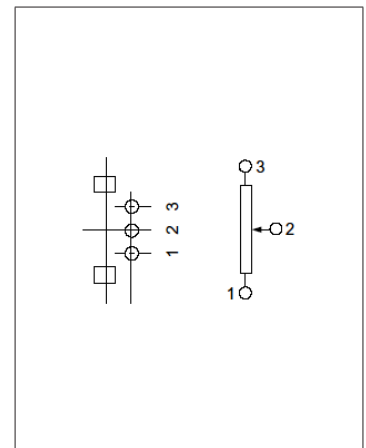
■ Dimensions



■ Mounting Hole Dimensions



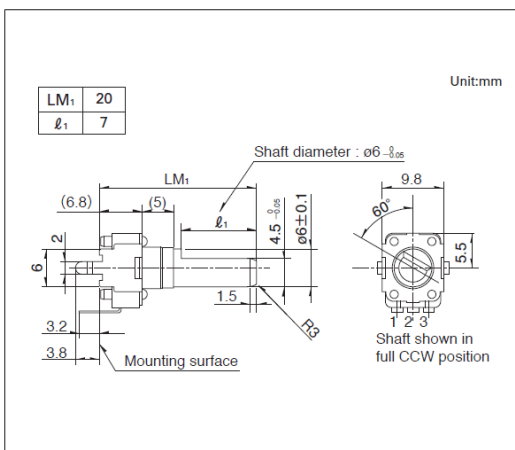
■ Terminal Layout / Circuit Diagram



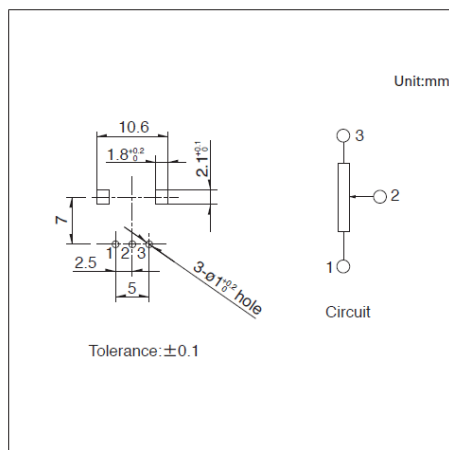
Viewed from mounting side.

Drawing No.11

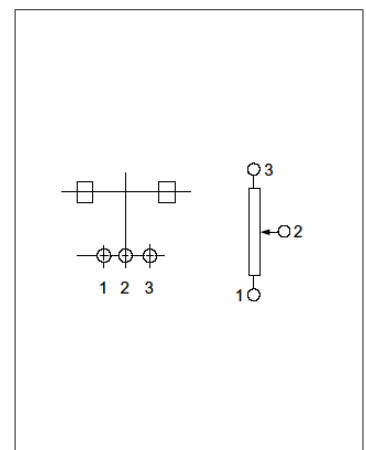
■ Dimensions



■ Mounting Hole Dimensions



■ Terminal Layout / Circuit Diagram

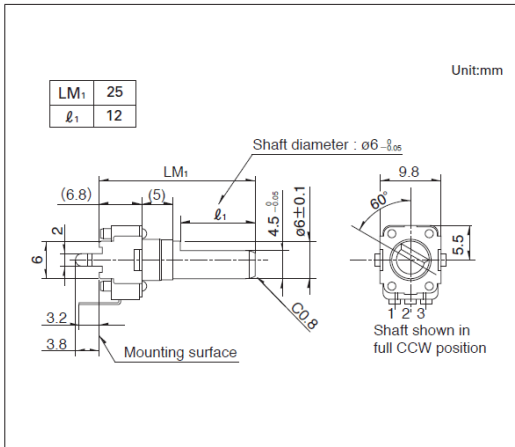


Viewed from mounting side.

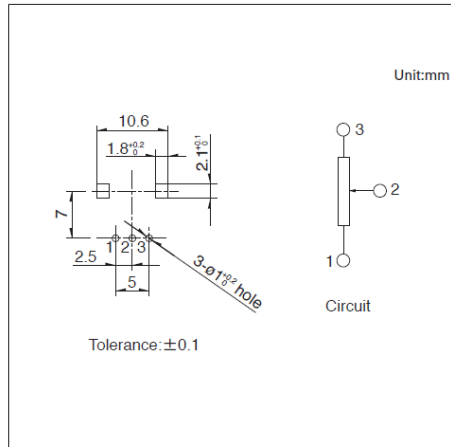
9mm Size Insulated Shaft Snap-in Type
RK09K/RK09D Series

Drawing No.12

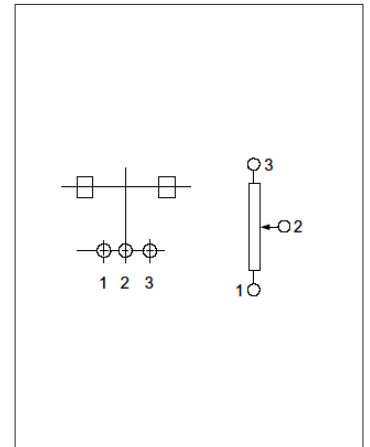
■ Dimensions



■ Mounting Hole Dimensions



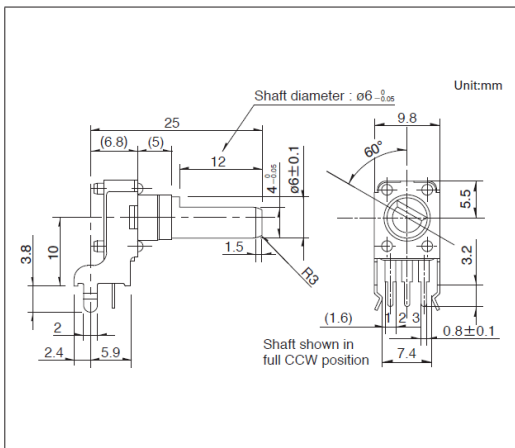
■ Terminal Layout / Circuit Diagram



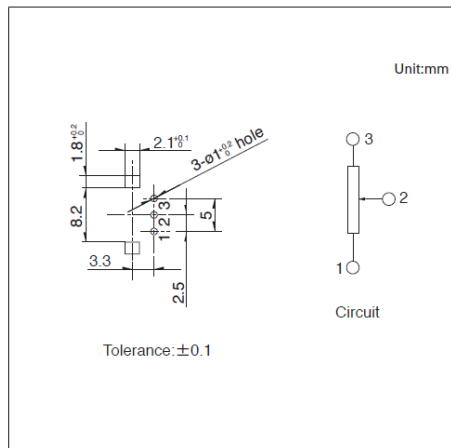
Viewed from mounting side.

Drawing No.13

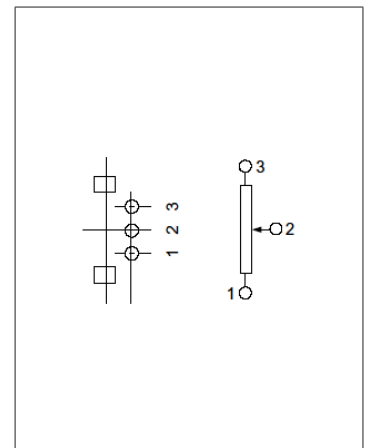
■ Dimensions



■ Mounting Hole Dimensions



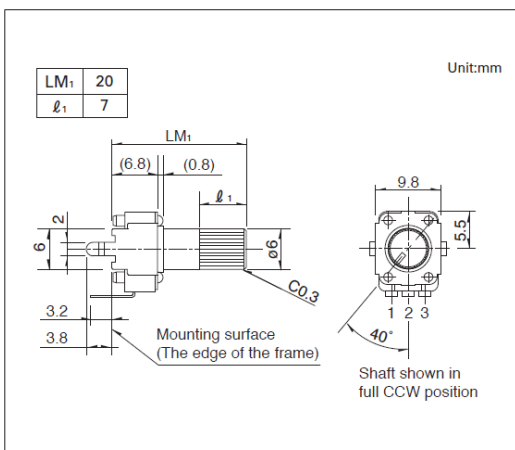
■ Terminal Layout / Circuit Diagram



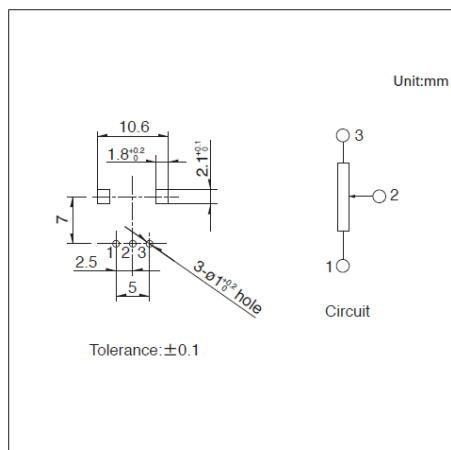
Viewed from mounting side.

Drawing No.14

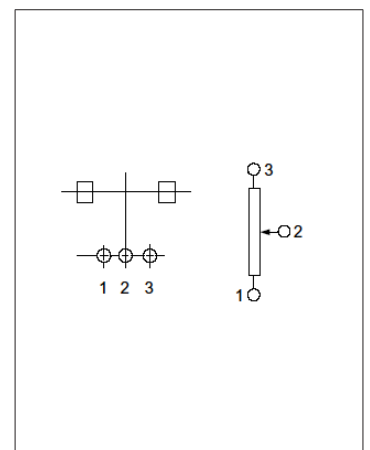
■ Dimensions



■ Mounting Hole Dimensions



■ Terminal Layout / Circuit Diagram



Viewed from mounting side.