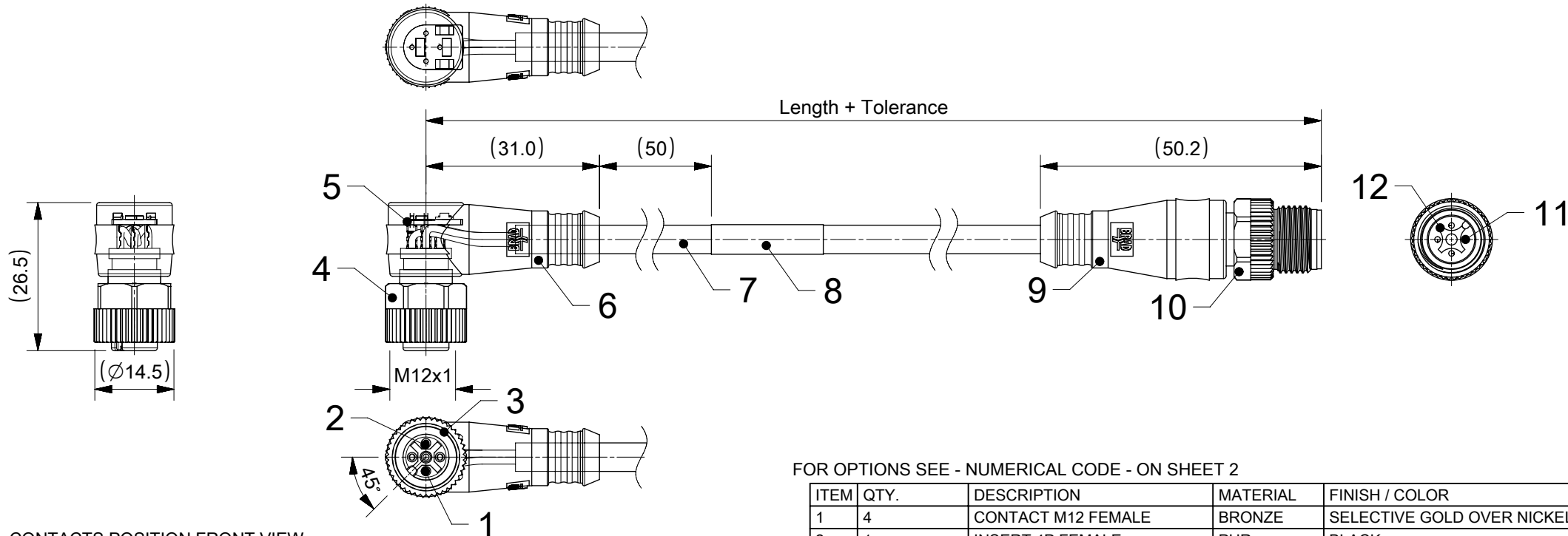
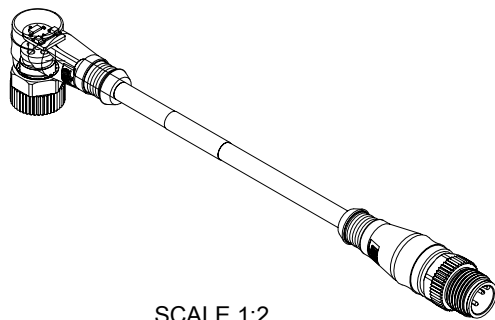
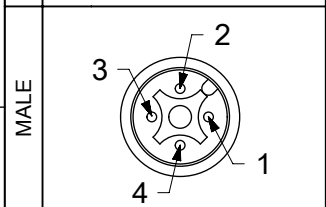
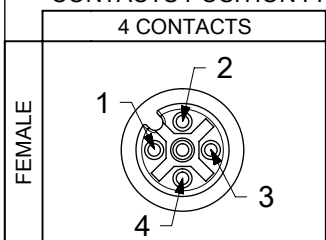


FEMALE PNP PLUG M12 90° ANGLED TO MALE PLUG M12 STRAIGHT

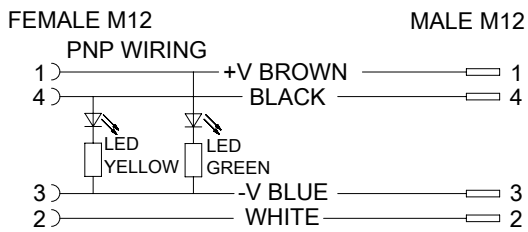


CONTACTS POSITION FRONT VIEW:



SCALE 1:2

WIRING DIAGRAM



CONNECTIONS	PIN	WIRE
FEMALE	1	BROWN
FEMALE	2	WHITE
FEMALE	3	BLUE
FEMALE	4	BLACK

CODING ACCORDING TO IEC 61076-2-101

FOR OPTIONS SEE - NUMERICAL CODE - ON SHEET 2

ITEM	QTY.	DESCRIPTION	MATERIAL	FINISH / COLOR
1	4	CONTACT M12 FEMALE	BRONZE	SELECTIVE GOLD OVER NICKEL
2	1	INSERT 4P FEMALE	PUR	BLACK
3	1	ORING	FPM	RED
4	1	COUPLING NUT FEMALE SW13	SEE SHEET 2	SEE SHEET 2
5	1	PCB PNP	---	---
6	-	OVERMOULDING	TPU	TRANSPARENT
7	-	CABLE	SEE SHEET 2	---
8	1	LABEL	VINYL	YELLOW
9	-	OVERMOULDING	TPU	BLACK
10	1	COUPLING NUT MALE SW13	SEE SHEET 2	SEE SHEET 2
11	4	CONTACT M12 MALE	COPPER	SELECTIVE GOLD OVER NICKEL
12	1	INSERT 4P MALE	TPU	BLACK
13	SEE SHEET 2	I/D CARRIER	PVC	TRANSPARENT

FUNCTIONAL SYMBOLS FA = 0 FE = 0 FP = 0	THIS DRAWING CONTAINS INFORMATION THAT IS PROPRIETARY TO MOLEX ELECTRONIC TECHNOLOGIES, LLC AND SHOULD NOT BE USED WITHOUT WRITTEN PERMISSION		CURRENT REV DESC: AS PER THE PCN-513749 CHANGED DIMENSIONING STYLE OF OVERALL LENGTH TO "END TO END". ADDED NEW NOTES ON INSULATION AND MATING CYCLES. SORTED PART LIST USING CABLE TYPES ON SHEET 2	
	DIMENSION UNITS mm	SCALE 1:1	EC NO: 789428 DRWN: AKABADI 2023/08/09 CHK'D: RSILLER 2024/07/02 APPR: RSILLER 2024/07/02	
DIVISIONAL SYMBOLS	GENERAL TOLERANCES (UNLESS SPECIFIED)		INITIAL REVISION:	
	ANGULAR TOL ± 1.0°	4 PLACES ±	DRWN: JMARSZALEK 2016/09/15	DOCUMENT NUMBER 1200678420
	3 PLACES ±	2 PLACES ± 0.05	APPR: RSILLER 2016/10/04	DOC TYPE DOC PART REVISION PSD 000 B
	1 PLACE ± 0.3	0 PLACES ± 0.5	DRAFT WHERE APPLICABLE MUST REMAIN WITHIN DIMENSIONS	PRODUCT CUSTOMER DRAWING
	THIRD ANGLE PROJECTION		DRAWING	SERIES
	A4-SIZE		120067	MATERIAL NUMBER
	SEE PART LIST		GENERAL MARKET	SHEET NUMBER
	1 OF 2			

ENGINEERING NO. - NUMERICAL CODE (Available parts see PART LIST table. Other parts available upon request).

OPTIONS

8 8 4 0 P 7 B X X M X X X X

88=M12x1
Double ended
Micro-Change

Contacts:
4=4 Contacts

Heads style:
0P7=Plug Female PNP 90°
to Plug Male Straight

Cable type: See Table

Units:
M=Meter

Length
Examples:
005=0.5 units
010=1 units
100=10 units

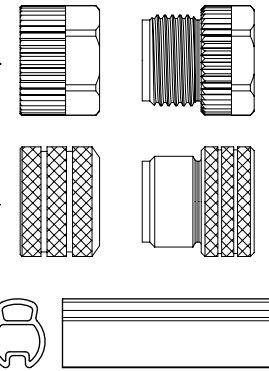
Overmold color:
Blank (Standard)=Black
Y=Yellow

Coupling Nut:
Blank (Standard)=Knurled/Hex Brass, Ni Plated
7=Knurled Brass Ni Plated, Teflon Coated

H= 2 pcs. of I/D Carrier PVC Transparent
(Cables B36 always with 2 pcs. I/D Carrier)

COUPLING NUTS

FEMALE MALE



CABLE INFORMATION (for more information see Cable Data Sheet).

CABLE TYPE	NO. OF WIRES	CROSS SECTION	CABLE JACKET	UL	CSA	STATIC: TEMP. / BENDING RADIUS	DYNAMIC: TEMP. / BENDING RADIUS	DRAG CHAIN: TEMP. / BENDING RADIUS	DRAG CHAIN	CABLE PRODUCT SPECIFICATION	CABLE SPEC. DRAWING	OTHER INFORMATION
B30	4	0.34mm ²	TPU Based, Black	UL 21215/758	C22.2 I/II A/B 80°/600V	-40°C to +90°C >5xO.D.	-25°C to +80°C >7.5xO.D.	-5°C to +60°C >7.5xO.D.	up to 5 000 000 cycles at temp 20°C	1552200001	SD-120209-001	WSOR
B36	4	0.34mm ²	TPU Based, Orange									

PART LIST

MOLEX PN	ENGINEERING No	L [mm]	MOLEX PN	ENGINEERING No	L [mm]
4P CABLE B30			4P CABLE B36		
1200678511	8840P7B30M006	600	1200678524	8840P7B36M0057H	500
1200678487	8840P7B30M0067	600	1200678532	8840P7B36M0067Y	600
1200678420	8840P7B30M010	1000	1200678521	8840P7B36M0107H	1000
1200678512	8840P7B30M015	1500	1200678496	8840P7B36M0107Y	1000
1200678421	8840P7B30M020	2000	1200678525	8840P7B36M0157H	1500
1200678488	8840P7B30M0207	2000	1200678522	8840P7B36M0207H	2000
1200678477	8840P7B30M030	3000	1200678479	8840P7B36M0207Y	2000
1200678422	8840P7B30M050	5000	1200678538	8840P7B36M0257H	2500
1200678427	8840P7B30M100	10000	1200678523	8840P7B36M0307H	3000
			1200678497	8840P7B36M0307Y	3000
			1200678526	8840P7B36M0507H	5000
			1200678498	8840P7B36M0507Y	5000
			1200678527	8840P7B36M1007H	10000
			1200678499	8840P7B36M1007Y	10000
			1200678500	8840P7B36M1507Y	15000
			1200678501	8840P7B36M2007Y	20000

CABLE LENGTH TOLERANCES

LENGTH	TOLERANCE
0m-1m	+40 mm
>1m-5m	+60 mm
>5m-10m	+80 mm
>10m-20m	+140 mm
>20m-30m	+160 mm
>30m	+1% length

NOTES:

CURRENT RATING: 4A
VOLTAGE RATING: 10 - 30 VDC
PROTECTION CLASS: IP 67
TEMPERATURE: -25°C / +85°C
INSULATION RESISTANCE : 10⁹Ω MIN
MATING CYCLES : MIN. 100

THIS DRAWING CONTAINS INFORMATION THAT IS PROPRIETARY TO MOLEX ELECTRONIC TECHNOLOGIES, LLC AND SHOULD NOT BE USED WITHOUT WRITTEN PERMISSION																
FUNCTIONAL SYMBOLS FA=0 FE=0 FP=0	DIMENSION UNITS	SCALE	CURRENT REV DESC: AS PER THE PCN-513749 CHANGED DIMENSIONING STYLE OF OVERALL LENGTH TO "END TO END". ADDED NEW NOTES ON INSULATION AND MATING CYCLES. SORTED PART LIST USING CABLE TYPES ON SHEET 2													
	mm	1:1	EC NO: 789428 DRWN: AKABADI 2023/08/09 CHK'D: RSILLER 2024/07/02 APPR: RSILLER 2024/07/02													
DIVISIONAL SYMBOLS	GENERAL TOLERANCES (UNLESS SPECIFIED)		INITIAL REVISION:													
	ANGULAR TOL ± 1.0°		DRWN: JMARSZALEK 2016/09/15 APPR: RSILLER 2016/10/04													
	4 PLACES ±	DOCUMENT NUMBER														
	3 PLACES ±	1200678420														
2 PLACES ± 0.05	1 PLACE ± 0.3		0 PLACES ± 0.5		THIRD ANGLE PROJECTION		DRAWING		SERIES		MATERIAL NUMBER		CUSTOMER		SHEET NUMBER	
DRAFT WHERE APPLICABLE MUST REMAIN WITHIN DIMENSIONS			A4-SIZE		120067		SEE PART LIST		GENERAL MARKET		2 OF 2					



CSE M12 PNP 4P AC FE RA WSOR MA STR XM

PRODUCT CUSTOMER DRAWING

DOCUMENT STATUS P1 RELEASE DATE 2024/07/02 09:18:08