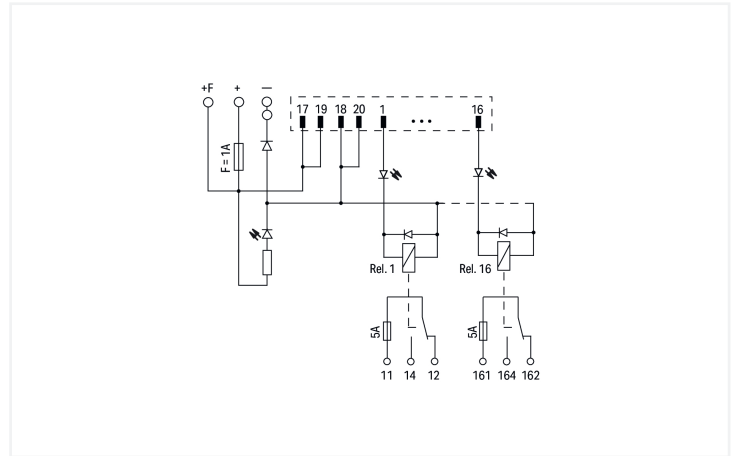
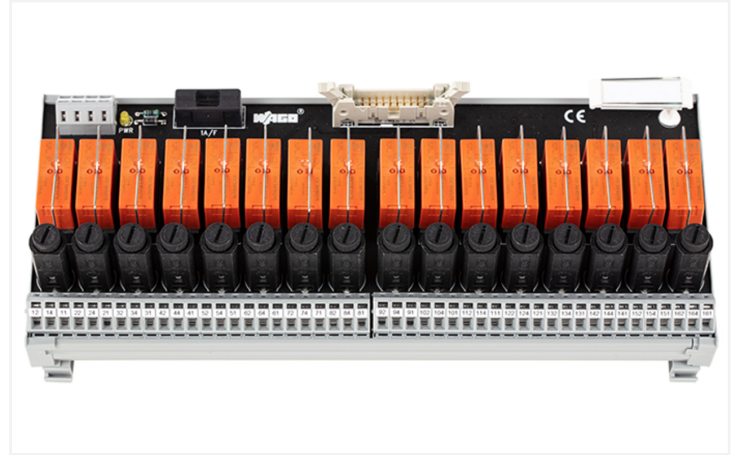
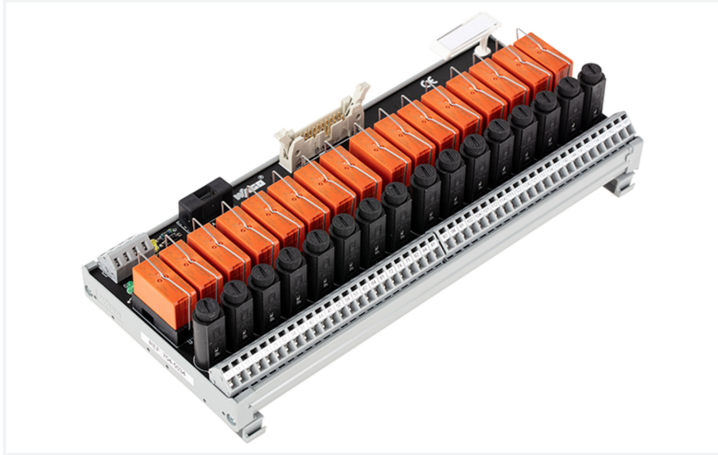


Data Sheet | Item Number: 704-5034

Interface module for system wiring; Pluggable connector per DIN 41651; Male connector; 20-pole; 16-channel relay output; 1 changeover contact; PCB terminal blocks; with output fuse; in mounting carrier; 2,50 mm²

<https://www.wago.com/704-5034>



Notes

Note Independent of the relay used, the maximum continuous current is 5 A per channel.

Electrical data

Inputs/outputs	16-channel relay output
Nominal operating voltage	24 VDC
Operating voltage range	±10 %
Number of changeover/switchover contacts	1
Limiting continuous current	5 A
Making capacity	2 ms 16 A
Switching Voltage, Max.	250 VAC; 48 VDC
Switching power (resistive) max.	AC 1250 VA; DC 50 W
Mechanical life	30 x 10 ⁶ switching operations
Status indicator	Green LED (channel) Yellow LED (power supply)
Internal fuse	Supply: 1 A; Relay output: 5 A
WAGO Basic Relay	788-154
Specialty functions	With output fuse

Safety and protection

Rated Voltage	50 V
Rated impulse withstand voltage	0.8 kV
Pollution degree	2
Dielectric strength (control/load circuit) (AC, 1 min)	4 kVrms
Dielectric strength (load/load circuit) (AC, 1 min)	1 kVrms

Compatibility

Siemens		GE Fanuc	
Siemens S7-300	6ES7 313-5BE01-0AB0 6ES7 313-5BG04-0AB0 6ES7 313-6BE01-0AB0 6ES7 313-6BF03-0AB0 6ES7 313-6CE01-0AB0 6ES7 313-6CF03-0AB0 6ES7 314-6BF01-0AB0 6ES7 314-6BG03-0AB0 6ES7 314-6CF01-0AB0 6ES7 314-6CG03-0AB0 6ES7 322-1BH01-0AA0 6ES7 322-1BH10-0AA0 6ES7 322-1BH80-0AA0 6ES7 322-1BL00-0AA0 6ES7 322-1BP00-0AA0 6ES7 322-1EH01-0AA0 6ES7 322-8BH01/8BH10-0AB0 6ES7 323-1BL00-0AA0	GE Fanuc 9030	IC693 MDL740 IC693 MDL742 IC693 MDL753
Siemens S7-400	6ES7 422-1BL00-0AA0	GE Fanuc RX3i	IC694 MDL753
Siemens S7-1500	6ES7 511-1CK00-0AB0 6ES7 512-1CK00-0AB0 6ES7 522-1BH00-0AB0 6ES7 522-1BH01-0AB0 6ES7 522-1BH10-0AA0 6ES7 522-1BL00-0AB0 6ES7 522-1BL01-0AB0 6ES7 522-1BL10-0AA0 6ES7 522-1BP00-0AA0 6ES7 523-1BL00-0AA0		
Siemens ET200SP	6ES7 132-6BH00-0AA0 6ES7 132-6BH00-2AA0 6ES7 132-6BH01-0BA0 6ES7 132-6BH01-2BA0		
Schneider		Rockwell	
Schneider Modicon TM3	TM3 DQ16T(G) TM3 DQ16TK TM3 DQ32TK	Rockwell Compact Logix	1769 - OB16 1769 - OB16P 1769 - OB32 1769 - OB32T
Schneider Modicon M340	BMX DDO 1602 BMX DDO 3202K BMX DDO 6402K BMX DDM 3202K	Rockwell Control Logix	1756 - OB16E 1756 - OB32
Schneider Modicon Quantum	140 DDO 353 00 140 DDO 353 01 140 DDO 364 00 140 DVO 853 00		
Schneider TSX	TSX DSY 16T2 TSX DSY 32T2K TSX DSY 64T2K TSX DMY 28FK TSX DMY 28RFX TSX DSZ 32T2 TSX DMZ 28DT TSX DMZ 28DTK TSX DMZ 64DTK		
Schneider Twido	TM2 DDO 16TK TM2 DDO 32TK		

Omron

Omron CJ1W	CJ1W-MD232 CJ1W-OD212 CJ1W-OD232 CJ1W-OD262
------------	--

WAGO

WAGO I/O System 750	750-1500
WAGO I/O System 753	753-530 (x2)

Connection Data

Connection 1

Pluggable connector	Pluggable connector per DIN 41651; male connector
Pole number 1	20
Connection type	System
Note (conductor cross-section)	12 AWG: THHN, THWN
Mating direction	vertical

Connection 2

Design	PCB terminal blocks
Pole number	48
Connection type	Field
WAGO connector	WAGO 236 Series
Solid conductor	0.08 ... 2.5 mm ² / 28 ... 12 AWG
Fine-stranded conductor	0.08 ... 2.5 mm ² / 28 ... 12 AWG
Strip length	5 ... 6 mm / 0.2 ... 0.24 inches

Connection 3

Design	PCB terminal blocks
Pole number	4
Connection type	Power supply
WAGO connector	WAGO 236 Series
Solid conductor	0.08 ... 2.5 mm ² / 28 ... 12 AWG
Fine-stranded conductor	0.08 ... 2.5 mm ² / 28 ... 12 AWG
Strip length	5 ... 6 mm / 0.2 ... 0.24 inches

Physical data

Width	247 mm / 9.724 inches
Height	105 mm / 4.134 inches
Depth from upper-edge of DIN-rail	55 mm / 2.165 inches

Mechanical data

Mounting type	DIN-35 rail
---------------	-------------

Material data

Contact material (relay)	AgNi 90/10
Fire load	5.148 MJ
Weight	685 g

Environmental requirements

Ambient temperature (operation)	-25 ... +50 °C
Ambient temperature (storage)	-40 ... +70 °C
Relative humidity	≤ 85 % (non-condensing)

Commercial data

Product Group	30 (WAGO France)
PU (SPU)	1 pcs
Packaging type	Box
Country of origin	FR
GTIN	4045454980153
Customs tariff number	85364900990

Product Classification

UNSPSC	39121529
eCl@ss 10.0	27-14-11-52
eCl@ss 9.0	27-14-11-52
ETIM 9.0	EC002780
ETIM 10.0	EC002780
ECCN	NO US CLASSIFICATION

Environmental Product Compliance

RoHS Compliance Status	Compliant, No Exemption
------------------------	-------------------------

Approvals / Certificates

General approvals			Declarations of conformity and manufacturer's declarations		
			Approval	Standard	Certificate Name
			EU-Declaration of Conformity WAGO GmbH & Co. KG	-	-
Approval	Standard	Certificate Name	UK-Declaration of Conformity WAGO GmbH & Co. KG	-	-
EAC GZO Almaty Standart	TP TC 004/2011	EAC CoC 03084			

Downloads

Environmental Product Compliance

Compliance Search	
Environmental Product Compliance 704-5034	↓

Documentation

Bid Text			
704-5034	19.02.2019	xml 4.17 KB	↓
704-5034	20.11.2015	doc 27.00 KB	↓

CAD/CAE-Data

CAE data

EPLAN Data Portal
704-5034



WSCAD Universe
704-5034



1 Compatible Products

1.1 Optional Accessories

1.1.1 Basic relay

1.1.1.1 Basic relay



Item No.: 788-154

Basic relay; Nominal input voltage: 24 VDC; 1 changeover contact; Limiting continuous current: 16 A; Module width: 13 mm; Module height: 15 mm

1.1.2 Cables and connectors

1.1.2.1 Connecting cable



Item No.: 706-100/1300-200

Connection cable; 20-pole; Pluggable connector per DIN 41651; open-ended; Length: 2 m; Conductor cross-section: 0.14 mm²; UR components



Item No.: 706-100/1300-400

Connection cable; 20-pole; Pluggable connector per DIN 41651; open-ended; Length: 4 m; Conductor cross-section: 0.14 mm²; UR components

1.1.2.2 System cable



Item No.: 706-2300/300-100

System cable; for Siemens S7-300; 16 digital inputs or outputs; Length: 1 m; Conductor cross-section: 0.14 mm²



Item No.: 706-2300/300-200

System cable; for Siemens S7-300; 16 digital inputs or outputs; Length: 2 m; Conductor cross-section: 0.14 mm²



Item No.: 706-2300/300-300

System cable; for Siemens S7-300; 16 digital inputs or outputs; Length: 3 m; Conductor cross-section: 0.14 mm²



Item No.: 706-2300/301-100

System cable; for Siemens S7-300; 2 x 16 digital inputs or outputs; Length: 1 m; Conductor cross-section: 0.14 mm²



Item No.: 706-2300/301-200

System cable; for Siemens S7-300; 2 x 16 digital inputs or outputs; Length: 2 m; Conductor cross-section: 0.14 mm²



Item No.: 706-2300/301-300

System cable; for Siemens S7-300; 2 x 16 digital inputs or outputs; Length: 3 m; Conductor cross-section: 0.14 mm²



Item No.: 706-2300/200-100

System cable; for Siemens S7-300; 2 x 16 digital outputs; Length: 1 m; Conductor cross-section: 0.14 mm²



Item No.: 706-2300/200-200

System cable; for Siemens S7-300; 2 x 16 digital outputs; Length: 2 m; Conductor cross-section: 0.14 mm²



Item No.: 706-2300/200-300

System cable; for Siemens S7-300; 2 x 16 digital outputs; Length: 3 m; Conductor cross-section: 0.14 mm²



Item No.: 706-7753/301-200

System cable; for WAGO I/O-SYSTEM, 753 Series; 2 x 16 digital inputs or outputs; Length: 2 m; Conductor cross-section: 0.14 mm²

1.1.3 Marking

1.1.3.1 Marking strip



Item No.: 709-196

Marking strips; for laser printer; translucent



Item No.: 2009-110

Marking strips; for Smart Printer; on reel; not stretchable; plain; snap-on type; white



Item No.: 709-177

Marking strips; on reel; 7.5 mm wide; not stretchable; plain; snap-on type; translucent



Item No.: 709-178

Marking strips; on reel; 7.5 mm wide; not stretchable; plain; snap-on type; white

Subject to changes. Please also observe the further product documentation!

Current addresses can be found at: www.wago.com