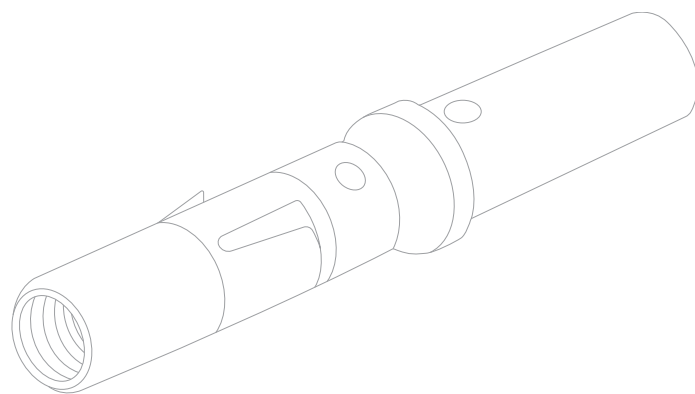


RC/RM Machined contact AWG16
Souriau railway-connectors



EATON

Powering Business Worldwide



AWG16

RC/RM Machined contact

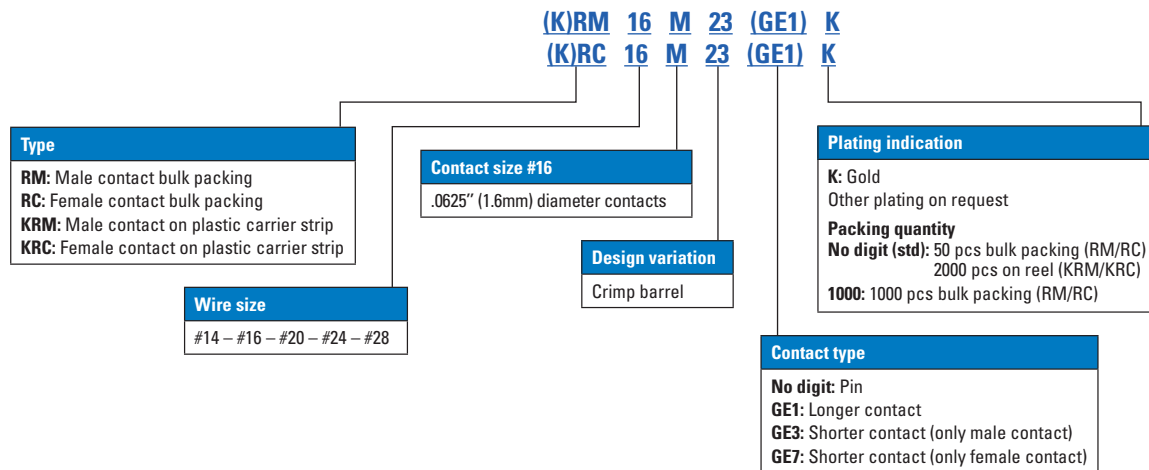
Typical applications



Technical specifications

- Machined crimp contact
- **Contact body:** High conductive copper alloy
- **Plating:** K (Std) Min. 0.4µm gold all over, over nickel
- **Current per contact max.:** 15A according to NFF61030
- **Contact resistance:** ≤ 3 MΩ
- **Contact retention in body:** 110 N min.
- **Individual insertion force:** 3.5 N max.
- **Individual withdrawal force:** 0.55 N min
- RC/RM machined contact size 16 can be used in any contact position UTS, UTO, VGE1 and 838 connectors

Ordering information



The RM/RC machined contact packing

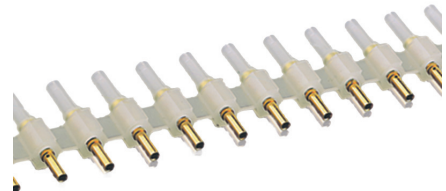
Conscious of the wide variety of applications, contact packaging has been considered for small series (bulk packaging) and high volume production (reeled contacts):



50 pieces bulk package (machined contacts)



1000 pieces bulk package (machined contacts)



5000 pieces reeled (machined contacts)

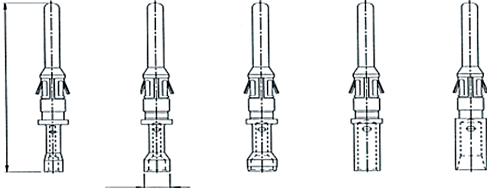
Railway

Machined crimp contact #16

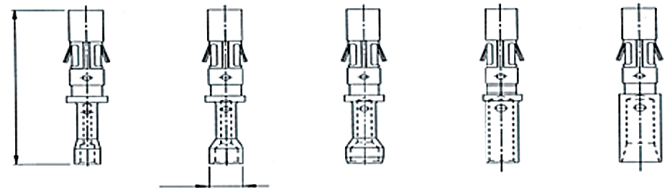
RM/RC machined contacts

Contact size 16 - Pin Ø1.6mm (.063")

Male contact



Female contact



Part numbers and dimensions

Part numbers				Wire size							
Male contact	FIG.	Female contact	FIG.	AWG	mm ²	Max. wire Ø	Max. insul. Ø	Wire strip length	O.D.**	L1	L2
RM28M1K	1	RC28M1K	6	30-28	0.05-0.08	0.55	1.1	4.8	1.90	26.2	18.2
RM24M9K	2	RC24M9K	7	26-24	0.13-0.20	0.8	1.6	4.8	2.55	26.2	18.2
RM20M13K	3	RC20M13K	8	22-20	0.32-0.52	1.18	1.8	4.8	2.92	26.2	18.2
RM20M12K	3	RC20M12K	8	22-20	0.32-0.52	1.18	2.2	4.8	2.92	26.2	18.2
RM16M23K	4	RC16M23K	9	20-16	0.50-1.50	1.80	3.2	7.1	2.55	26.2	18.2
RM14M50K	5	RC14M50K	10	14	2.5	2.05	3.2	7.1	3.10	26.2	18.2
RM14M30K	5	RC14M30K	10	14	2.5	2.28	3.2	7.1	3.10	26.2	18.2

For machined contacts reeled on plastic carrier: put «K» in front of part number example: KRM16M13K

Dimensions

Comparison with standard RM / RC contacts

	GE1	GE3	GE7
RM contact (male contact)	+ 1 mm	-1 mm	-
RC contact (female contact)	+ 1.5 mm	-	-0.6 mm

Contact selector guide

	Standard RC contact	RM*GE1	RC*GE7
Standard RC contact			
Standard RM contact			Last mate, First break
RM*GE1	First mate, Last break		



First Mate, Last Break contact can be used as grounding contact.

Note: All dimensions are in mm / ** Outer diameter

RM/RC machined contacts

Longer

Part numbers				Wire size							
Male contact	FIG.	Female contact	FIG.	AWG	mm ²	Max. wire Ø	Max. insul. Ø	Wire strip length	O.D.**	L1	L2
RM28M1GE1K	1	RC28M1KGE1K	6	30-28	0.05-0.08	0.55	1.1	4.8	1.90	27.2	19.7
RM24M9GE1K	2	RC24M9KGE1K	7	26-24	0.13-0.20	0.8	1.6	4.8	2.55	27.2	19.7
RM20M13GE1K	3	RC20M13KGE1K	8	22-20	0.32-0.52	1.18	1.8	4.8	2.92	27.2	19.7
RM20M12GE1K	3	RC20M12KGE1K	8	22-20	0.32-0.52	1.18	2.2	4.8	2.92	27.2	19.7
RM16M23GE1K	4	RC16M23KGE1K	9	20-16	0.52-1.50	1.80	3.2	7.1	2.55	27.2	19.7
RM14M50GE1K	5	RC14M50KGE1K	10	14	2.5	2.05	3.2	7.1	3.10	27.2	19.7
RM14M30GE1K	5	RC14M30KGE1K	10	14	2.5	2.28	3.2	7.1	3.10	27.2	19.7

Shorter

Part numbers				Wire size							
Male contact	FIG.	Female contact	FIG.	AWG	mm ²	Max. wire Ø	Max. insul. Ø	Wire strip length	O.D.**	L1	L2
RM28M1GE3K	1	RC28M1GE7K	6	30-28	0.05-0.08	0.55	1.1	4.8	1.90	25.2	17.6
RM24M9GE3K	2	RC24M9GE7K	7	26-24	0.13-0.20	0.8	1.6	4.8	2.55	25.2	17.6
RM20M13GE3K	3	RC20M13KGE7K	8	22-20	0.32-0.52	1.18	1.8	4.8	2.92	25.2	17.6
RM20M12GE3K	3	RC20M12KGE7K	8	22-20	0.32-0.52	1.18	2.2	4.8	2.92	25.2	17.6
RM16M23GE3K	4	RC16M23KGE7K	9	20-16	0.52-1.50	1.80	3.2	7.1	2.55	25.2	17.6
RM14M50GE3K	5	RC14M50KGE7K	10	14	2.5	2.05	3.2	7.1	3.10	25.2	17.6
RM14M30GE3K	5	RC14M30KGE7K	10	14	2.5	2.28	3.2	7.1	3.10	25.2	17.6

Crimptooling

Stripping length	Wire size		Part numbers	Tool	Locator	Tool selector	Extraction tool	
	AWG	mm ²						
4.8	30-28	0.05-0.08	RM28M1*	RC28M1*	MH860 (M22520/7-01)	MH86164G	4/6	RX2025GE1
4.8	26-24	0.13-0.2	RM24M9*	RC24M9*	MH860 (M22520/7-01)	MH86164G	5/6	RX2025GE1
4.8	22-20	0.32-0.52	RM20M12*	RC20M12*	MH860 (M22520/7-01)	MH86164G	5/7	RX2025GE1
7.1	20-16	0.5-1.5	RM16M23*	RC16M23*	MH860 (M22520/7-01)	MH86164G	6/8	RX2025GE1
7.1	16-14	2.5	RM14M30	RC16M30*	AF8 (M22520/1-01)	TP1142	8	RX2025GE1
7.1	16-14	2.5	RM14M50*	RC14M50*	AF8 (M22520/1-01)	TP1142	8	RX2025GE1

Note: All dimensions are in mm

For more information, contact us:
[Eaton.com/interconnect-support](https://www.eaton.com/interconnect-support)



© 2025 Eaton
All Rights Reserved
Document No. CA055001EN
December 2025

Eaton is a registered trademark.

All other trademarks are property of
their respective owners.