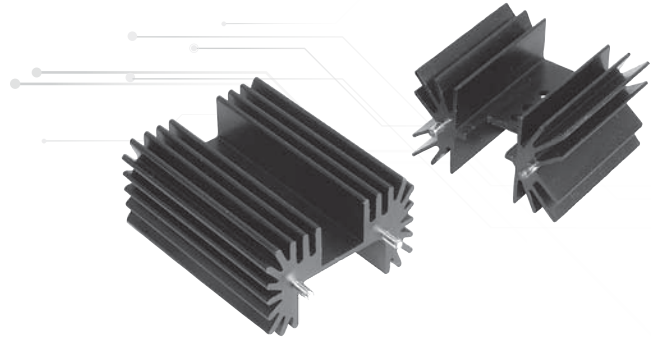


F and R Series Heatsinks

For TO-218, TO-220 and TO-247 devices

The F and R Series are vertical mountable with solderable pins and are composed of 6063-T5 aluminum with a black anodized finish.



FEATURES

- For vertical mounting with solderable pins
- For TO-220, TO-218, TO-247

SERIES SPECIFICATION

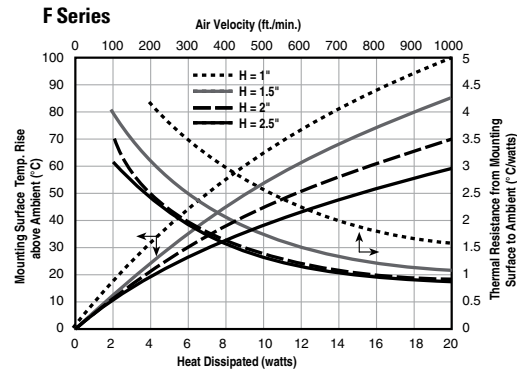
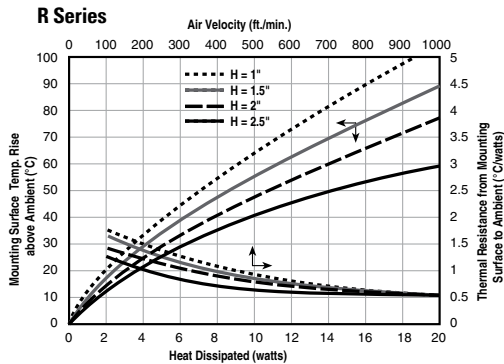
| Heatsink Part Number | Height (mm ±.25/ in. ±.010) | For Package Type | Ohmite Resistor Series | Surface Area (mm ²) | Weight (g) | Thermal Res.* (°C/W) |
|----------------------|--------------------------------|--------------------|----------------------------|---------------------------------|------------|----------------------|
| RA-T2X-25E | 25.4/1.0 | TO-220, -218, -247 | TBH25,TCH35, TEH70, TEH100 | 8,901 | 25 | 4.8 |
| RA-T2X-38E | 38.1/1.5 | TO-220, -218, -247 | TBH25,TCH35, TEH70, TEH100 | 12,983 | 38 | 3.9 |
| RA-T2X-51E | 50.8/2.0 | TO-220, -218, -247 | TBH25,TCH35, TEH70, TEH100 | 17,065 | 51 | 3.5 |
| RA-T2X-64E | 63.5/2.5 | TO-220, -218, -247 | TBH25,TCH35, TEH70, TEH100 | 21,148 | 63 | 3.1 |
| FA-T220-25E | 25.4/1.0 | TO-220, -218, -247 | TBH25,TCH35, TEH70, TEH100 | 9,285 | 18 | 4.7 |
| FA-T220-38E | 38.1/1.5 | TO-220, -218, -247 | TBH25,TCH35, TEH70, TEH100 | 13,756 | 27 | 3.8 |
| FA-T220-51E | 50.8/2.0 | TO-220, -218, -247 | TBH25,TCH35, TEH70, TEH100 | 18,222 | 37 | 3.4 |
| FA-T220-64E | 63.5/2.5 | TO-220, -218, -247 | TBH25,TCH35, TEH70, TEH100 | 22,814 | 46 | 3 |

*Natural convection

CHARACTERISTICS

| | |
|----------------------------|------------------------------|
| Finish | Black anodized |
| Material | 6063-T5 aluminum |
| Solder | 100% Tin (Sn) |
| PC board attachment | 0.091" dia. pre-tinned pins. |

Heat Dissipation



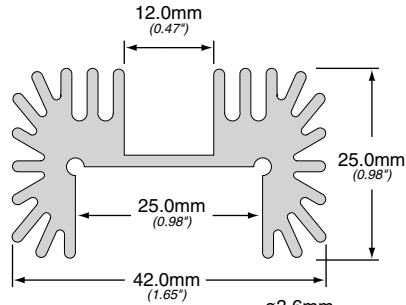
(continued)

F and R Series Heatsinks

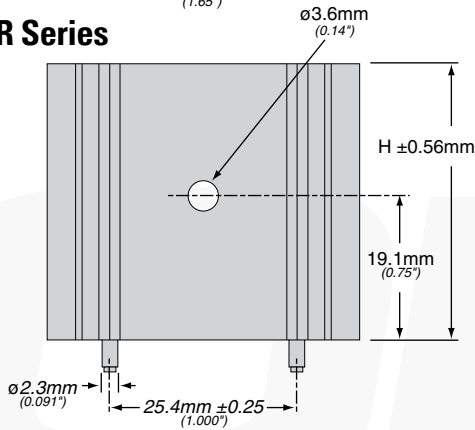
For TO-218, TO-220 and TO-247 devices

DIMENSIONS

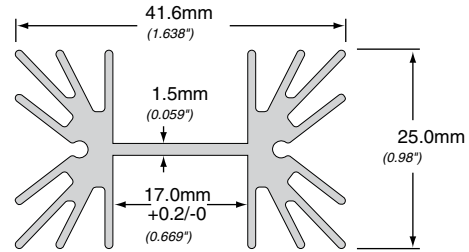
mm/(in.)



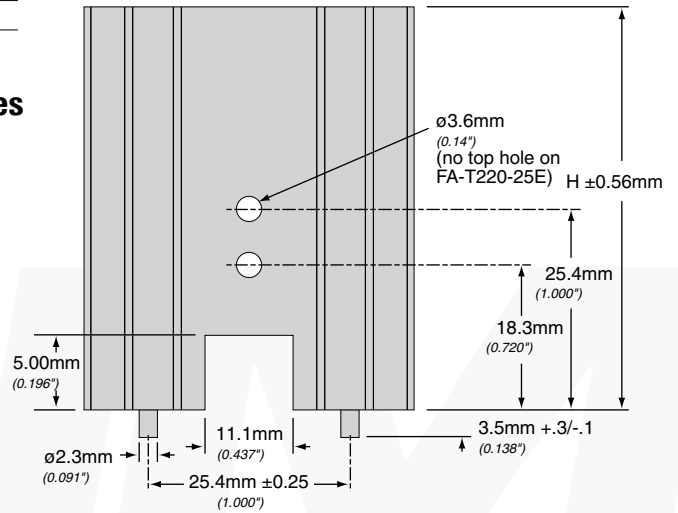
R Series



| Part Number | Height (mm ±.25/ in. ±.010) |
|-------------|-----------------------------------|
| RA-T2X-25E | 25.4/1.0 |
| RA-T2X-38E | 38.1/1.5 |
| RA-T2X-51E | 50.8/2.0 |
| RA-T2X-64E | 63.5/2.5 |
| FA-T220-25E | 25.4/1.0 |
| FA-T220-38E | 38.1/1.5 |
| FA-T220-51E | 50.8/2.0 |
| FA-T220-64E | 63.5/2.5 |



F Series



NOTICE:
Dimensional
change.
Dimensions
shown are for
products pro-
duced after
September
2012

ORDERING INFORMATION

Series: F or R; T2X = R Series; T220 = F Series; RoHS Compliant

R A - T 2 X - 2 5 E

Finish: A = black anodized; V = degreased; Height (mm): 25

Standard part numbers

| Part Number | Description | Packaging |
|-------------|--|-----------|
| RA-T2X-25E | Heat sink for TO-220, TO-218, TO-247, Black Anodized | Bulk |
| RA-T2X-38E | Heat sink for TO-220, TO-218, TO-247, Black Anodized | Bulk |
| RA-T2X-51E | Heat sink for TO-220, TO-218, TO-247, Black Anodized | Bulk |
| RA-T2X-64E | Heat sink for TO-220, TO-218, TO-247, Black Anodized | Bulk |
| FA-T220-25E | Heat sink for TO-220, TO-218, TO-247, Black Anodized | Bulk |
| FA-T220-38E | Heat sink for TO-220, TO-218, TO-247, Black Anodized | Bulk |
| FA-T220-51E | Heat sink for TO-220, TO-218, TO-247, Black Anodized | Bulk |
| FA-T220-64E | Heat sink for TO-220, TO-218, TO-247, Black Anodized | Bulk |