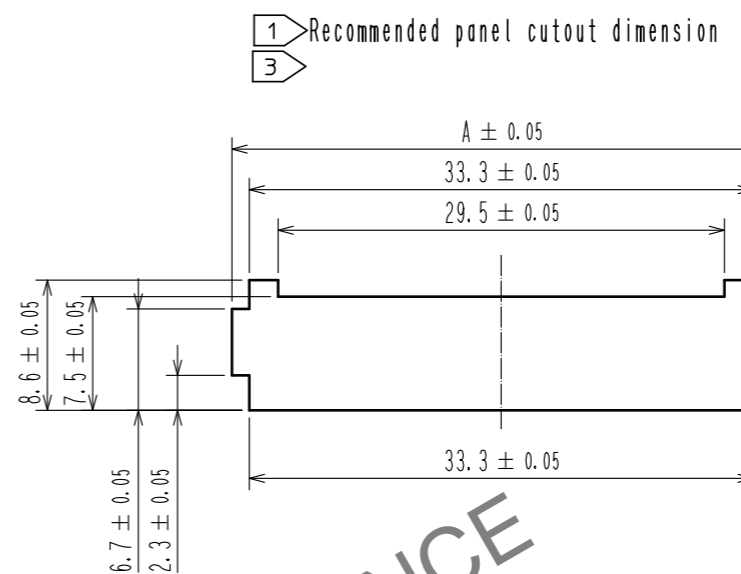
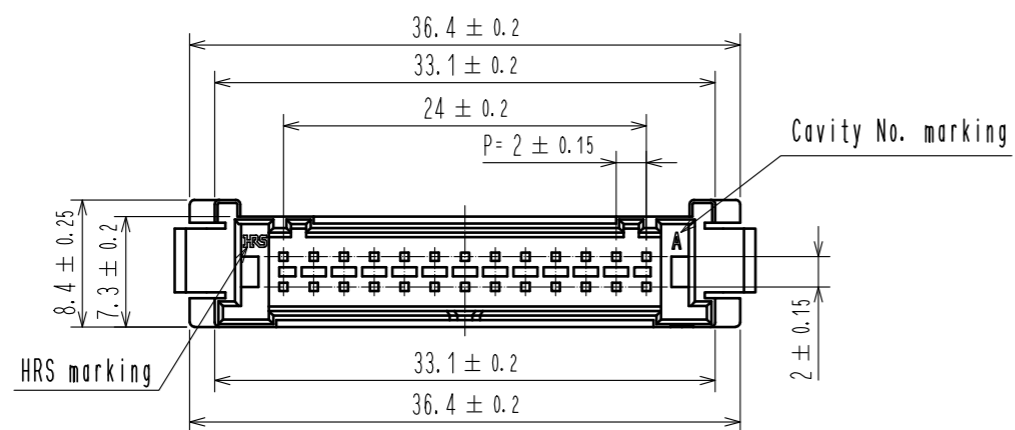
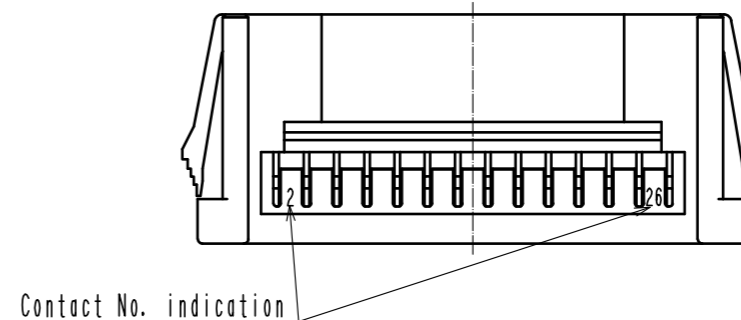
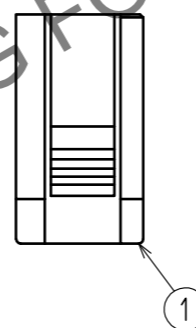
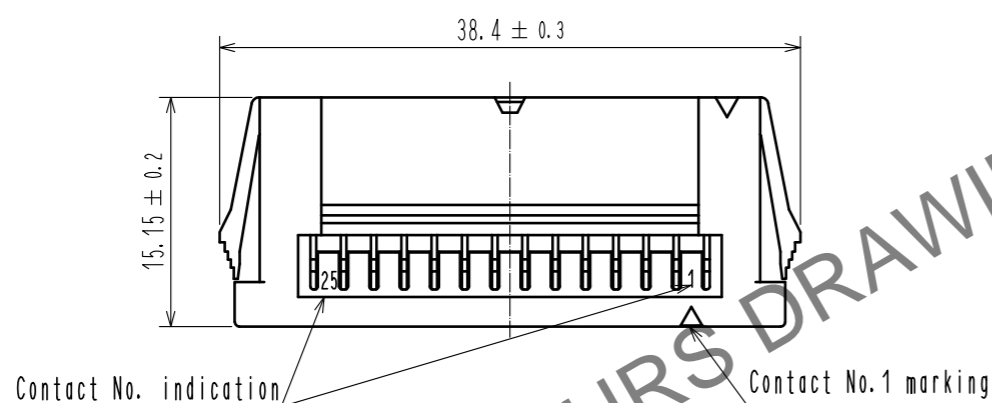


Apr.1.2026 Copyright 2026 HIROSE ELECTRIC CO., LTD. All Rights Reserved.
 In case of consideration for using Automotive equipment / device which demand high reliability, kindly contact our sales window correspondents.

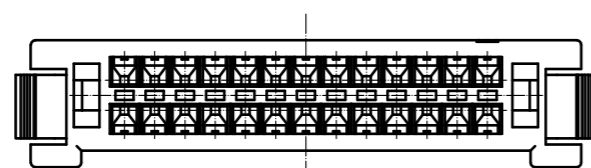


Panel thickness	A
0.5~0.8	35.6
0.9~1.3	36.1
1.4~1.8	36.5
1.9~2.3	36.9



HRS DRAWING FOR REFERENCE

- Note
- 1 Please use non-radius side for the panel hooking area.
 - 2 Applicable panel thickening is 2.3 to 0.5 mm.
 - 3 Consult Hirose for the other panel cutout designs than recommended one.
 - 4. Per pack : 100 pieces.
 - 5. UL(File No. E52653),
C-UL(File No. E52653) authorization article



NO.	MATERIAL	FINISH . REMARKS	NO.	MATERIAL	FINISH . REMARKS		
			1	PBT	UL94V-0. BLACK		
UNITS		SCALE	COUNT	DESCRIPTION OF REVISIONS	DESIGNED	CHECKED	DATE
mm		2 : 1	1	DIS-H-00004547	TS.MIYAKI	SZ.ONO	20181225
HRS HIROSE ELECTRIC CO., LTD.		APPROVED : HS. OKAWA	20160601	DRAWING NO. EDC-366293-00-00			
		CHECKED : YN. TAKASHITA	20160601	PART NO. DF51-26DEP-2C			
		DESIGNED : TT. OHSAKO	20160601	CODE NO. CL543-5082-0-00			
		DRAWN : TT. OHSAKO	20160601	1/1			