

Customer Information Sheet

Specifications:
Material:
 Housing = Glass-Filled PPS, UL94V-0, Black
 Contact = Phosphor Bronze
 Jackscrew = Stainless Steel
Finish - Contacts (all over Nickel):
 22 = Gold on contact area, 90/10 Tin/Lead on tails
 42 = Gold on contact area, 100% Tin on tails
 05 = Gold
Packing:
 Connector: Tube
 Screws: Bag
 For complete Specification, see Component Specification C005XX (Latest Issue)

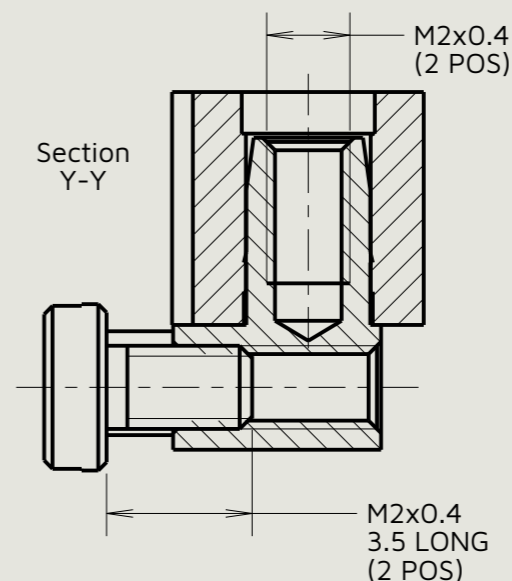
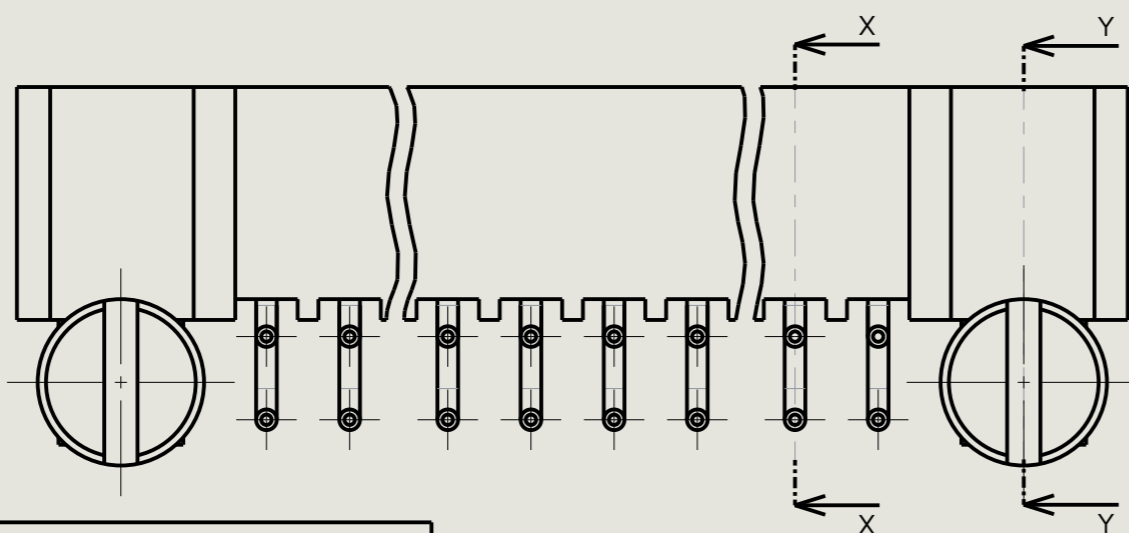
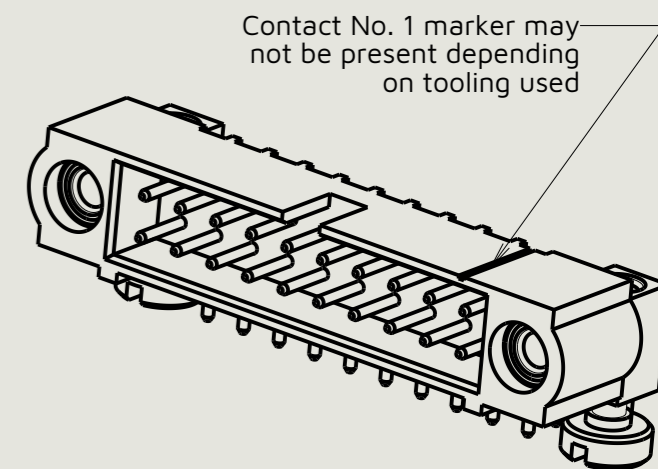
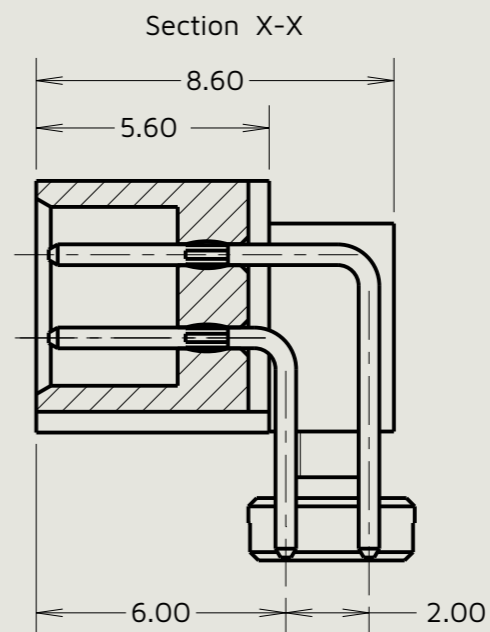
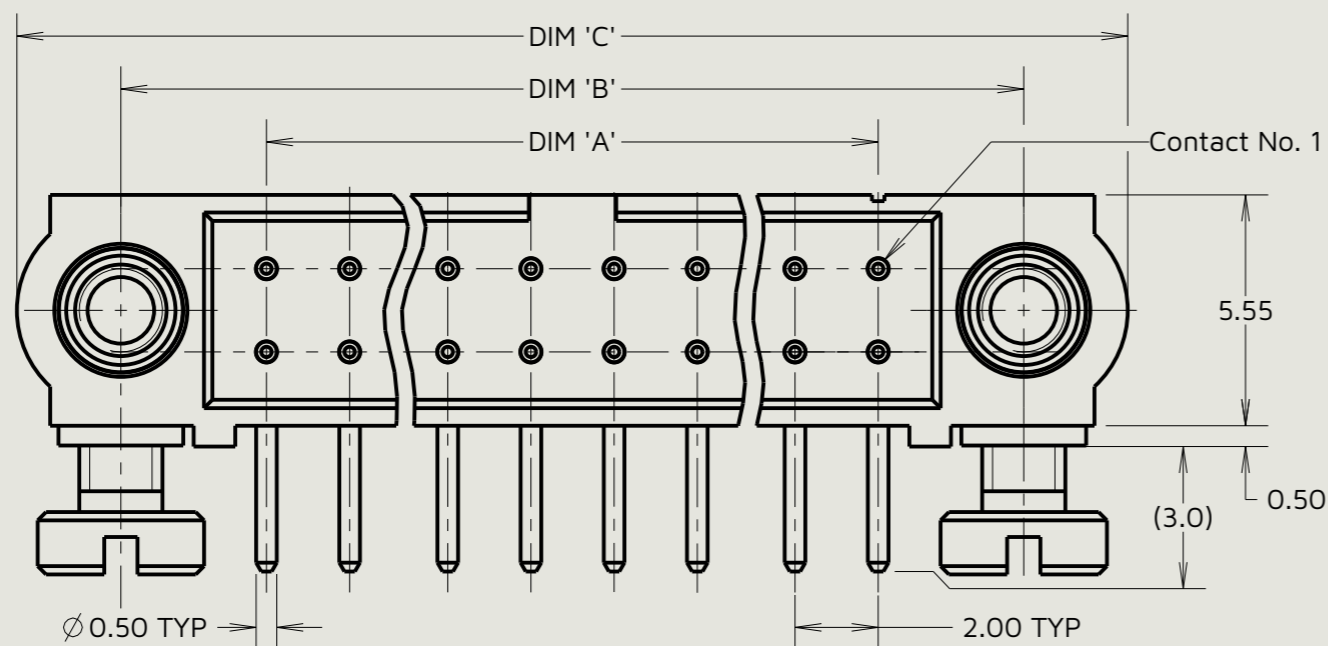
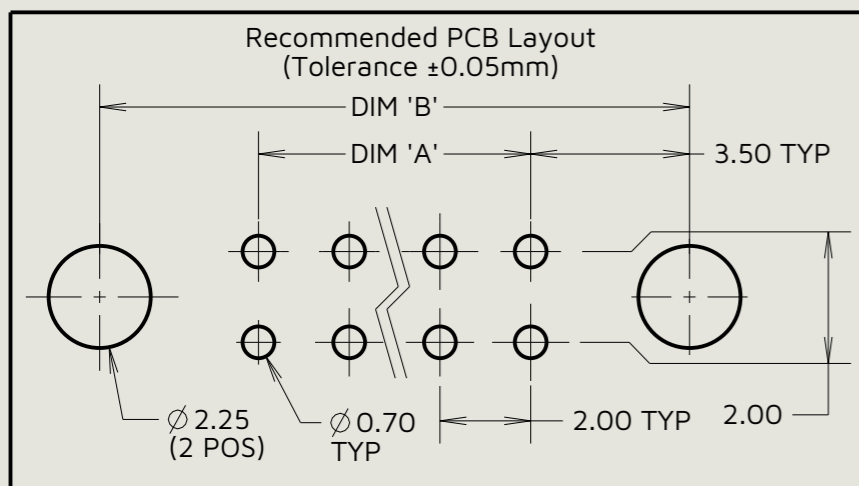


Table 1: Dimension Variants

Part No.	DIM 'A'	DIM 'B'	DIM 'C'
M80-54004XX	2.00	9.00	14.0
M80-54006XX	4.00	11.00	16.0
M80-54008XX	6.00	13.00	18.0
M80-54010XX	8.00	15.00	20.0
M80-54012XX	10.00	17.00	22.0
M80-54014XX	12.00	19.00	24.0
M80-54016XX	14.00	21.00	26.0
M80-54018XX	16.00	23.00	28.0
M80-54020XX	18.00	25.00	30.0
M80-54022XX	20.00	27.00	32.0
M80-54024XX	22.00	29.00	34.0
M80-54026XX	24.00	31.00	36.0
M80-54028XX	26.00	33.00	38.0
M80-54030XX	28.00	35.00	40.0
M80-54032XX	30.00	37.00	42.0
M80-54034XX	32.00	39.00	44.0
M80-54036XX	34.00	41.00	46.0
M80-54038XX	36.00	43.00	48.0
M80-54040XX	38.00	45.00	50.0
M80-54042XX	40.00	47.00	52.0
M80-54044XX	42.00	49.00	54.0
M80-54046XX	44.00	51.00	56.0
M80-54048XX	46.00	53.00	58.0
M80-54050XX	48.00	55.00	60.0



Order Code: M80-540XXXX

Total No. of contacts: _____
 04 to 50
 (Even numbers only)

Finish: _____
 22 - Selective Gold + Tin/Lead
 42 - Selective Gold + 100% Tin
 05 - 0.75µm Gold All Over

JW	7	05.12.25	37127
Initials	Rev.	Date	CO
JMB	D	24.08.06	9393

Notes:
 1. Board mount screws supplied loose in a bag, not as shown.
 2. Additional screws available, order separately using P/N M80-2260000B

HARWIN
 www.harwin.com

This drawing and any information or descriptive matter set out hereon are confidential and copyright property of the Harwin group and must not be disclosed, loaned, copied or used for manufacturing, tendering or for any other purpose without their written permission.

TOLERANCES
 X. = ±0.50mm
 X.X = ±0.30mm
 X.XX = ±0.10mm
 X.XXX = ±0.01mm
 Angles = ±5°
 Unless stated

Third angle projection

 Sheet scale: 6:1
 Do not scale
 Sheet size: A3

MATERIAL:
 See above

FINISH:
 See above

Title:
 Datamate J-Tek Male Right Angle Board

Drawing number:
M80-540XXXX

SHT 2 OF 2