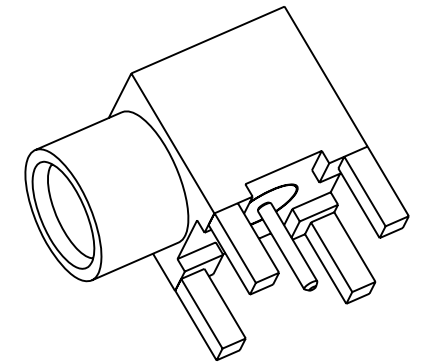


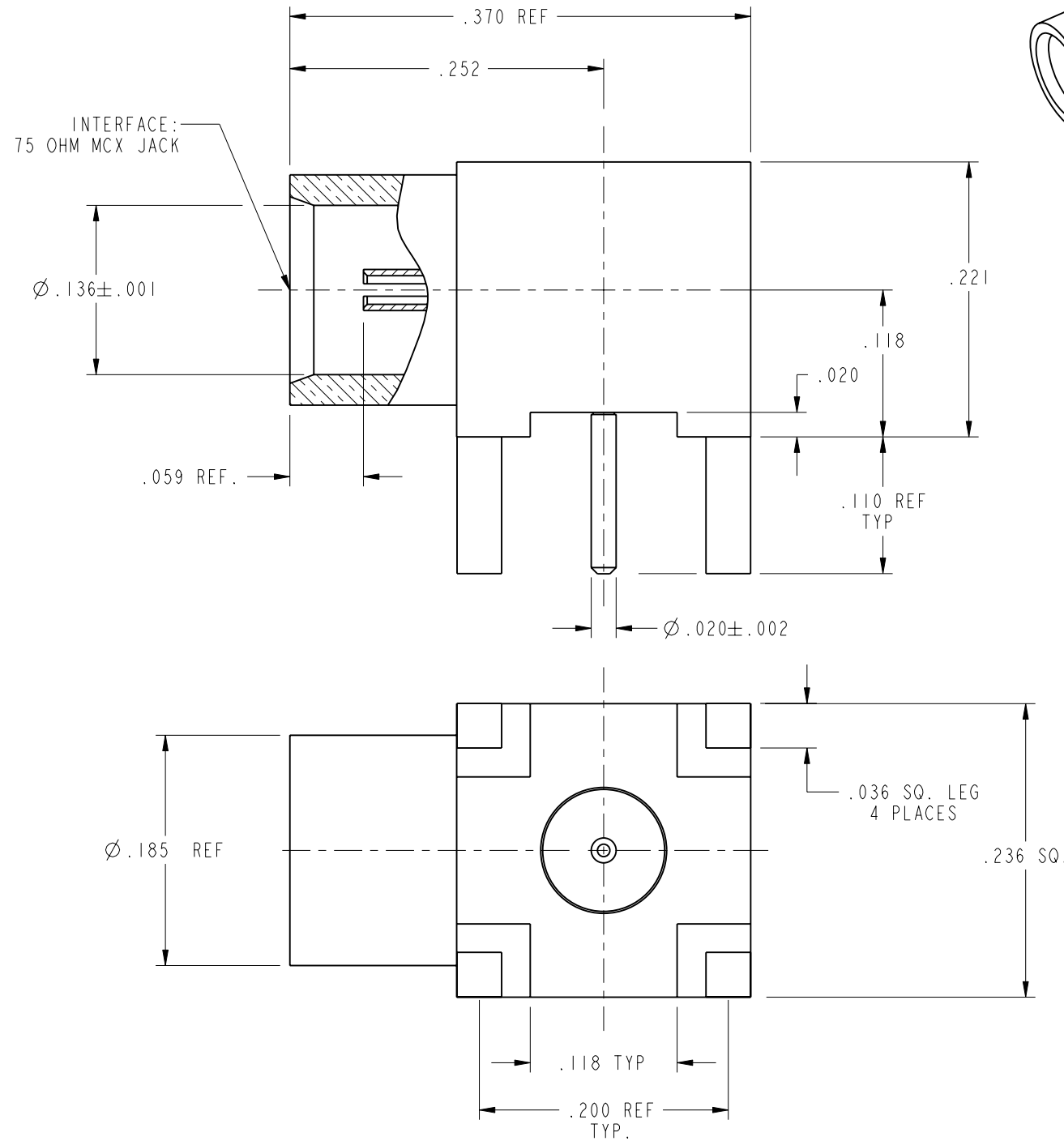
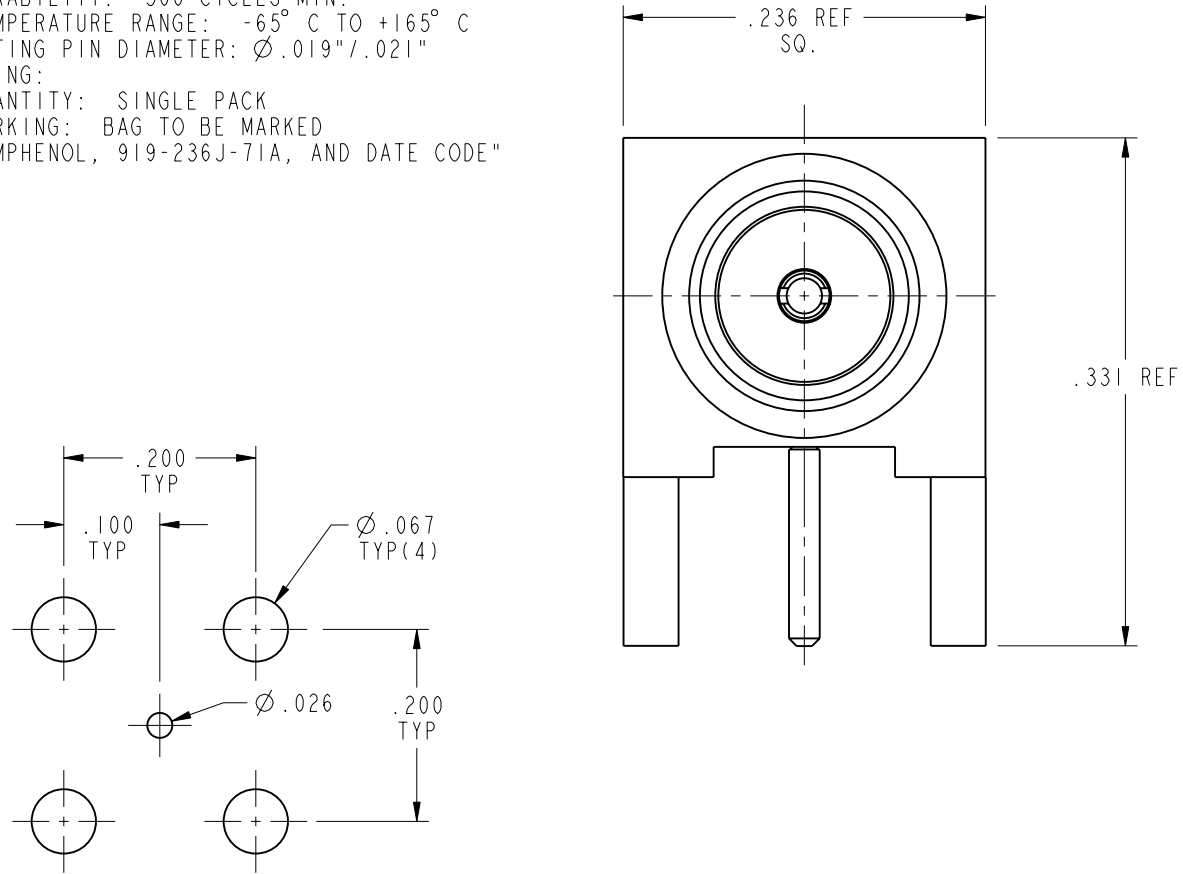
NOTES:

1. MATERIALS AND FINISHES:
 - BODY - BRASS, GOLD PLATING (.000010 THICK OVER NICKEL .000150" MIN.)
 - CONTACT - BeCu, GOLD PLATING (.000030 THICK OVER NICKEL .000100" MIN.)
 - INSULATOR - PTFE
2. ELECTRICAL:
 - A. IMPEDANCE: 75 OHM
 - B. FREQUENCY RANGE: DC - 3.0 GHz
 - C. RETURN LOSS: 20 dB MAX.
 - D. DIELECTRIC WITHSTANDING VOLTAGE: 500 VRMS, MIN.
3. MECHANICAL:
 - A. DURABILITY: 500 CYCLES MIN.
 - B. TEMPERATURE RANGE: -65° C TO +165° C
 - C. MATING PIN DIAMETER: \varnothing .019"/.021"
4. PACKAGING:
 - A. QUANTITY: SINGLE PACK
 - B. MARKING: BAG TO BE MARKED
"AMPHENOL, 919-236J-71A, AND DATE CODE"

919-236J-71A		REVISIONS			
DRAWING NO.	REV	DESCRIPTION	DATE	ECO	APPR
THIRD ANGLE PROJ.	A	RELEASE TO MFG.	8/3/07	46686	NBP



SCALE 4.000



RECOMMENDED PCB
HOLE DIMENSIONS
SCALE 5.000

CUSTOMER OUTLINE DRAWING
ALL OTHER SHEETS ARE FOR INTERNAL USE ONLY

UNLESS OTHERWISE SPECIFIED, DIMENSIONS ARE IN INCHES AND TOLERANCES ARE: 2 PLACE DECIMAL ±.015 (0,381 mm) 3 PLACE DECIMAL ±.005 (0,127 mm) ANGLES ± 1°	MATERIAL SEE NOTES	DRAWN H. PARIKH	DATE 27-Oct-05	TITLE 75 OHM MCX ANGLE JACK PC MOUNT		Amphenol RF Danbury, CT, USA Tainan, Taiwan Shenzhen, China www.amphenolrf.com		
	REFERENCE 615X-1632-100 615X-2208-100	ENGINEER H. PARIKH	DATE 27-Oct-05					
NOTICE - These drawings, specifications, or other data (1) are, and remain the property of Amphenol Corp. (2) must be returned upon request; and (3) are confidential and not to be disclosed to any person other than those to whom they are given by Amphenol Corp. The furnishing of these drawings, specifications, or other data by Amphenol Corp., or to any other person to anyone for any purpose is not to be regarded by implication or otherwise in any manner licensing, granting rights or permitting such holder or any other person to manufacture, use or sell any product, process or design, patented or otherwise, that may in any way be related to or disclosed by said drawings, specifications, or other data.		APPROVED O. BARTHELMS	DATE 7/25/07	CODE ID 74868	DWG SIZE B	DRAWING NO. 919-236J-71A	SCALE: 8.0:1	SHEET 2 OF 2
		CAD FILE 919-236J-71A						