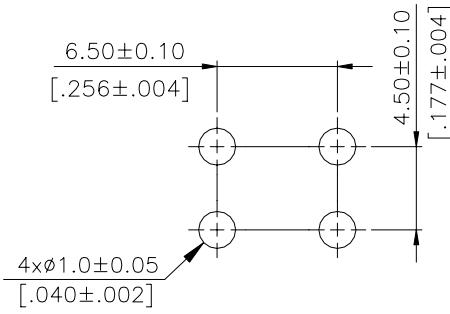
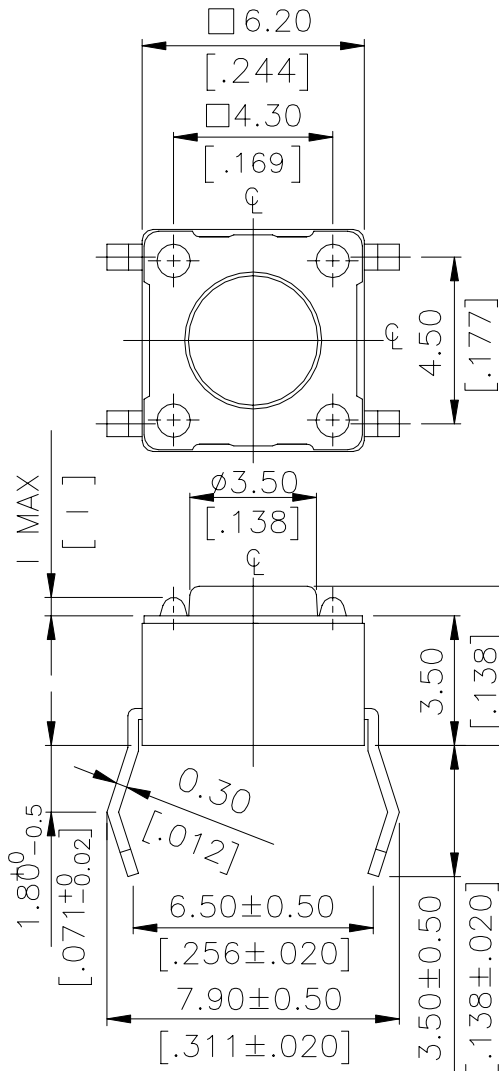


# DTS-6.2 SERIES

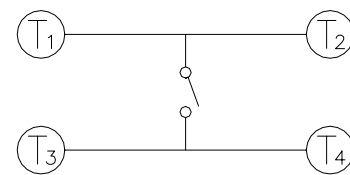


## DIMENSIONS

### DTS-61~66



P.C.B. LAYOUT

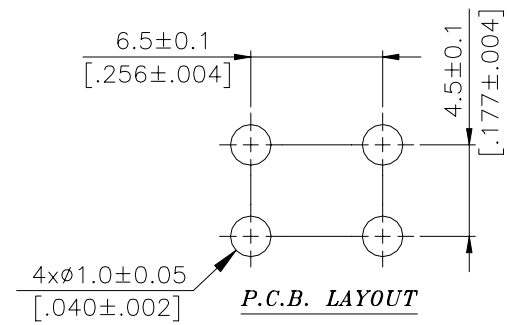
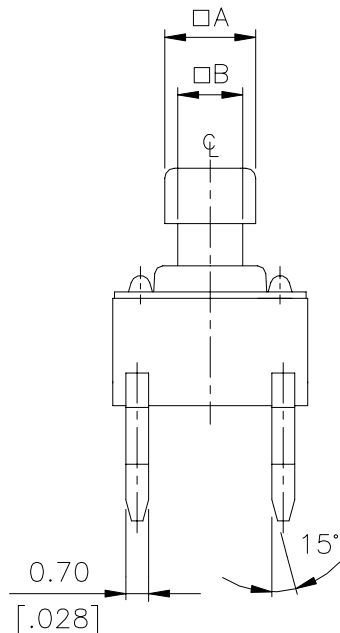
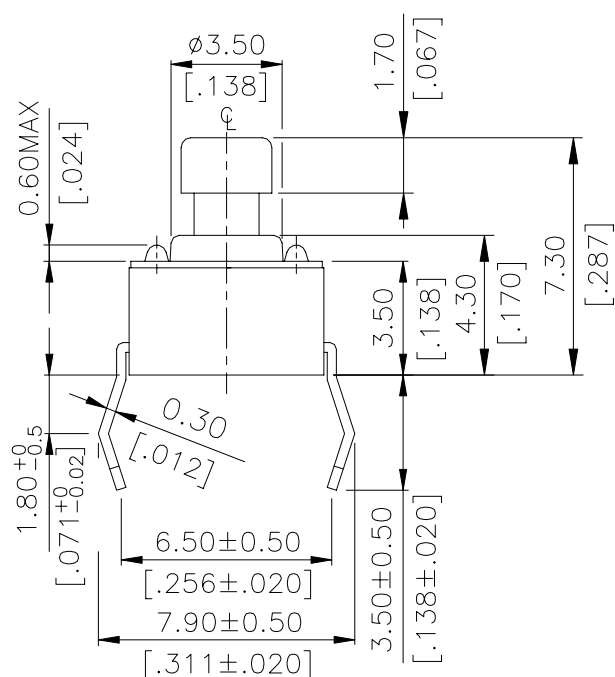
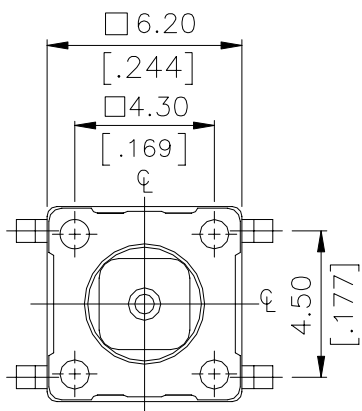


CIRCUIT DIAGRAM

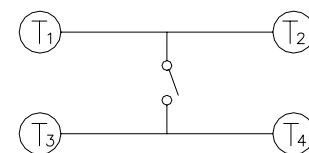
DTS-62~66	0.6 MAX	.0236 MAX
DTS-61	0.5 MAX	.0197 MAX
PROD.	NO.	I
		INCHES.

DTS-66	13.0 [.512]
DTS-65	9.5 [.374]
DTS-63	7.0 [.275]
DTS-62	5.0 [.197]
DTS-61	4.3 [.169]
PROD.	NO.
	H

### DTS-644, 648



P.C.B. LAYOUT

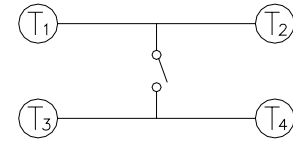
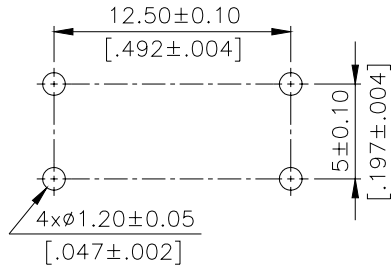
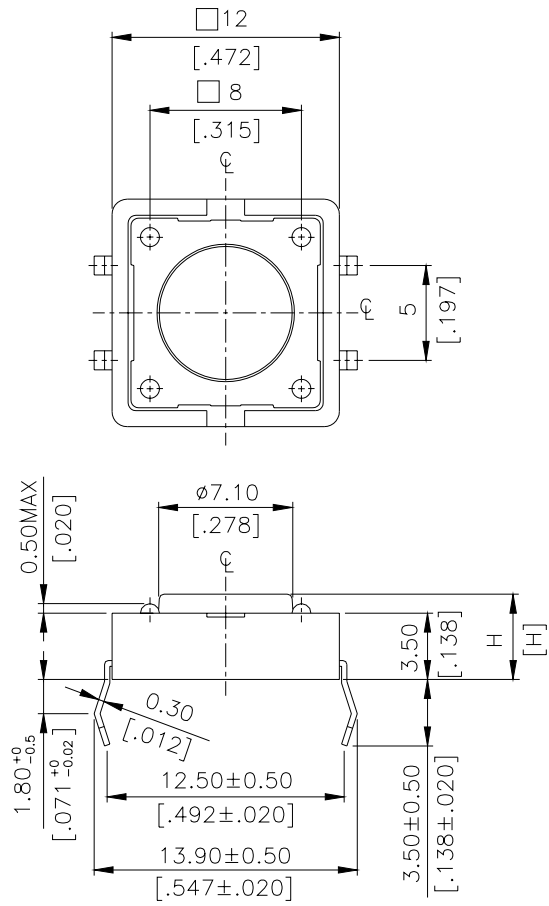


CIRCUIT DIAGRAM

DTS-644	□A	2.4	[.095]
	□B	1.6	[.063]
DTS-648	□A	2.8	[.110]
	□B	2.0	[.079]
PROD.	NO.	LOC.	MM.
			INCH.

DIMENSION

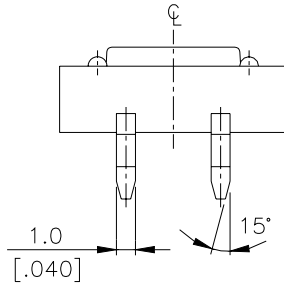
# DTS-21, 25



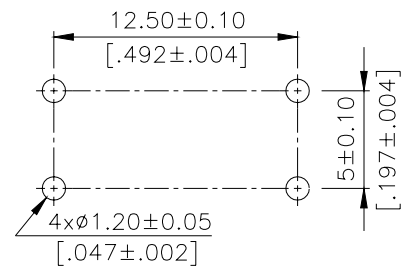
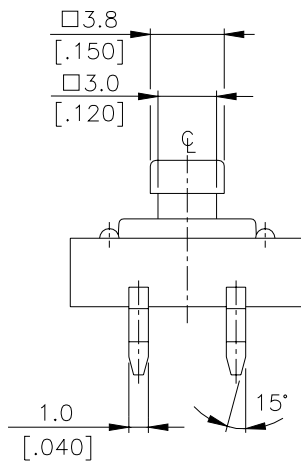
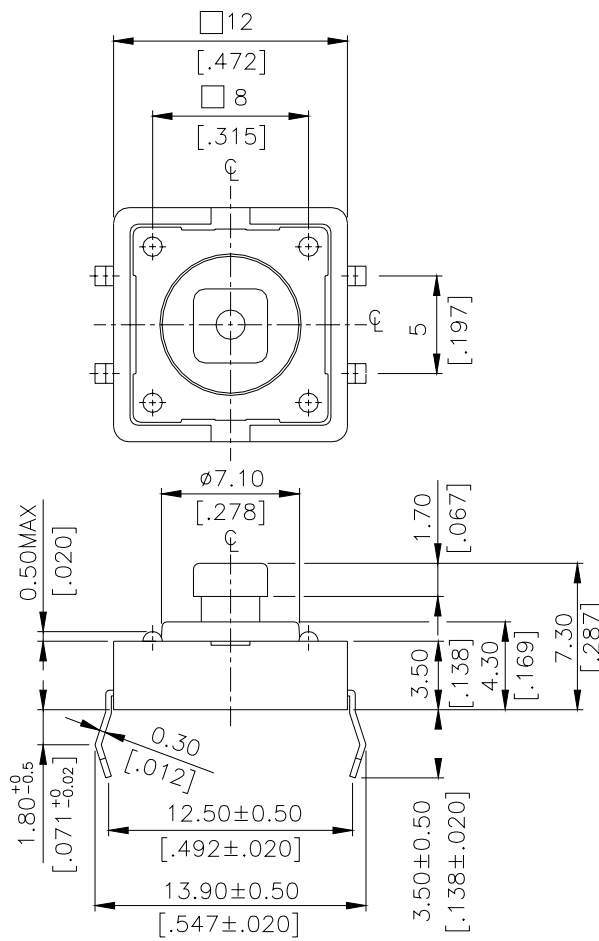
P.C.B. LAYOUT

CIRCUIT DIAGRAM

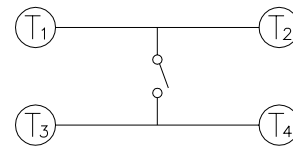
DTS-25□	8.5 [0.335]
DTS-21□	4.3 [0.169]
PROD. NO.	H
附表 A	



# DTS-24

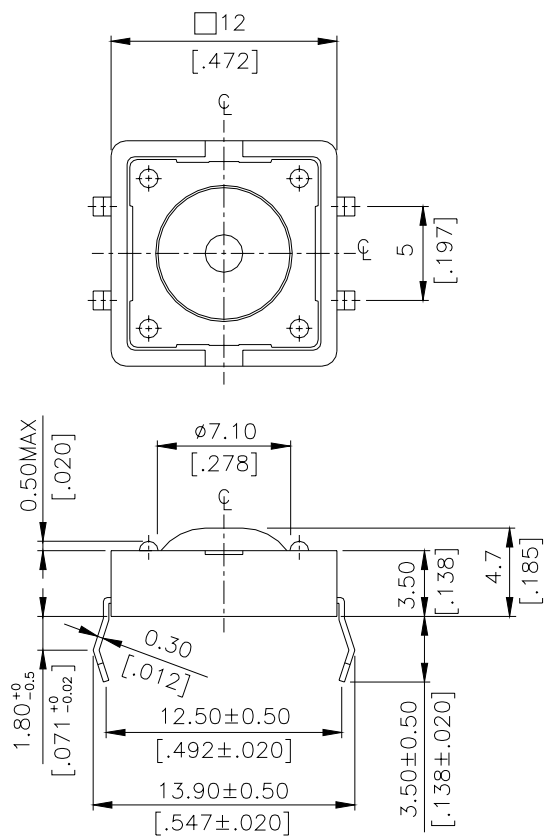


P.C.B. LAYOUT



CIRCUIT DIAGRAM

# DTS-21(063)



# HOW TO ORDER

D T S - - - ( )

( 063 ) =Silicon Rubber Actuator  
[ DTS-21 Only ]  
( 231 ) =Total H : 6.0mm (DTS-6)  
( 083 ) =Total H : 12.6mm (DTS-6)

Package style:  
= Bulk pack  
▲ B = Tube  
(▲ Except DTS-63, 644,648,65,66 )

Soldering:  
V = Lead Free Solderable

Color of stem for operating force:  
▲ K = Black , 100gf  
N = Brown , 160gf  
R = Red , 260gf  
S = Salmon , 320gf  
▲ Y =Yellow , 520gf  
(▲ 12x12 K、 Y Unavailable )

Dimension H :

6 X 6 mm	12 x 12 mm
1 = 4.3 mm	1 = 4.3 mm
2 = 5.0 mm	4 = 7.3 mm (SQ.) x 3.8 mm
3 = 7.0 mm	5 = 8.5 mm
44 = 7.3 mm(SQ.)x2.4 mm	
48 = 7.3 mm(SQ.)x2.8 mm	
5 = 9.51 mm	
6 = 13 mm	

Prod. Size :  
6= 6x6 mm  
2= 12x12 mm  
= None Post  
▲ =With Post  
< ▲ Only For 12x12 >  
Tactile Switch

## SPECIFICATION

### MECHANICAL

Operation Force:520±130gf Yellow(Y)  
320±80gf Salmon(S)  
260±50gf Red(R)  
160±50gf Brown(N)  
100±50gf Black(K)

Stop Strength: Place the switch such that vertical, a static load of 3 kgf shall be applied in the direction of stem operation for a period Of 15 seconds.

Stroke : (12x12) 0.35±0.1mm  
(6x6) 0.25+0.2/-0.1mm

Operation Temperature Range : -25 to +70

Storage Temperature Range : -30 to +80

### ELECTRICAL (6X6)

Electrical Life : 300,000 cycles for 320gf,520gf  
500,000 cycles for 260gf  
1,000,000 cycles for 100gf,160gf

Rating : 50 Ma , 12 VDC

Contact Resistance : 100mΩ max

Insulation Resistance : 100MΩ min , 500 VDC

Dielectric Strength : 250 VAC / minute

Contact Arrangement : 1 pole 1 throw

## MATERIAL

COVER : Stainless steel

CONTACT DISC : Phosphor bronze with silver cladding

TERMINAL : Brass with silver plated

BASE : UL94V-0 Nylon Thermoplastic

STEM : UL94V-0 Nylon Thermoplastic

Color : Black(100gf) , Brown(160gf) , Red(260gf)

Salmon(320gf) , Yellow(520gf)

Silicon Rubber Color : Red (300gf) [DTS-21 Only]

CAP : Termoplastic ABS

### ELECTRICAL (12X12)

Electrical Life: 100,000 cycles for 320gf

100,000 cycles for 260gf

200,000 cycles for 160gf

# SOLDERING PROCESS

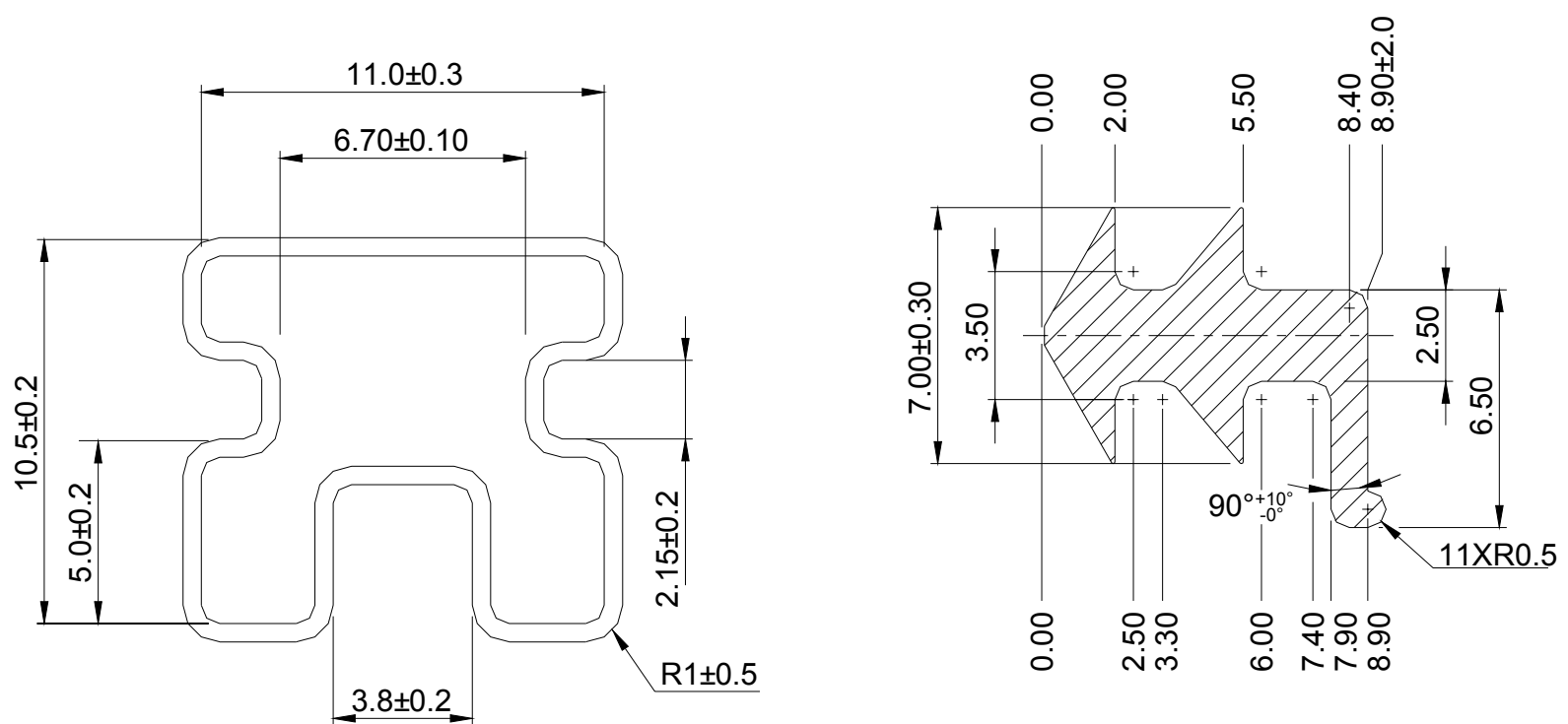
**WAVE SOLDERING:** Recommended solder temperature at 500 (260 )max. 5 seconds subject to PBC 1.6mm thickness ( For through hole type )

**Hand soldering :** Use a soldering iron of 30 watts , controlled at 350 approximately max 5 seconds while applying solder.

# PACKING

Part Number	Number Per Bag	Number Per Tube
DTS-6	1000	-
DTS-61	-	77
DTS-62	-	77
DTS-2	500	-
DTS-2	-	39

## DTS-61.62 TUBE



## DTS-2 TUBE

