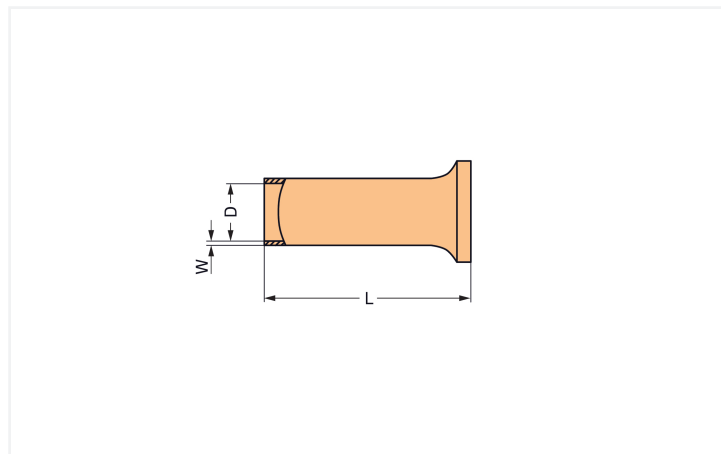


## Data Sheet | Item Number: 216-102

Ferrule; Sleeve for 0.75 mm<sup>2</sup> / AWG 20; uninsulated; electro-tin plated; silver-colored

<https://www.wago.com/216-102>



Color: ■ silver-colored

Dimensions in mm

### Connection Data

Metric cross-section of the ferrule	0.7 mm <sup>2</sup>
Strip length	8 mm / 0.31 inches
Cross-section (AWG) of ferrule	18 AWG

### Physical data

Total length	8 mm
Wall thickness of crimp sleeve	0.15 mm
Diameter crimp sleeve inside	1.2 mm

### Mechanical data

Plastic collar	No
----------------	----

### Material data

Color	silver-colored
Fire load	0 MJ
Weight	0 g

### Commercial data

Product Group	2 (Terminal Block Accessories)
PU (SPU)	5000 (1000) pcs
Packaging type	Box
Country of origin	DE
GTIN	4017332277631
Customs tariff number	85369010000

**Product Classification**

UNSPSC	39121405
eCl@ss 10.0	27-40-02-01
eCl@ss 9.0	27-40-02-01
ETIM 9.0	EC000005
ETIM 10.0	EC000005
ECCN	NO US CLASSIFICATION

**Environmental Product Compliance**

RoHS Compliance Status	Compliant, No Exemption
------------------------	-------------------------

**Downloads**

**Environmental Product Compliance**

Compliance Search

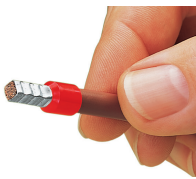
Environmental Product Compliance 216-102	↓
--	---

**Documentation**

Bid Text

216-102	11.09.2017	doc 24.00 KB	↓
216-102	19.02.2019	xml 2.77 KB	↓

**Installation Notes**



A perfect gas-tight crimp – both electrical-ly and mechanically reliable

Subject to changes. Please also observe the further product documentation!

Current addresses can be found at: [www.wago.com](http://www.wago.com)