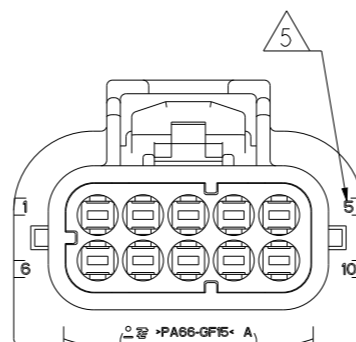


ISO VIEW



PA66-GF15 A

REVISIONS					
P	LTR	DESCRIPTION	DATE	DWN	APVD
D		REVISED(ECR-20-015614)	02MAR2021	JY	YJ
D1		REVISED(ECR-22-159779)	10JAN2023	JY	KT
D2		REVISED(ECR-24-200434)	16FEB2024	CI	YH
E		REVISED(ECR-24-213085)	08NOV2024	DG	YH

TABLE 1. APPLICABLE REC. CONTACT.

ASS'Y P/N	REC.	PART NO.	WIRE RANGE (mm ²)	INSULATION DIA. (mm) (FLR)
1897726-2	MCP 1.5	1241378	0.2-0.35	1.1-1.4
		D2 1241380	0.5-1.0	1.4-2.1
1-1897726-2 2-1897726-3	MT-III	1241730	0.3~0.5	1.15~1.6
		1241732	0.5~1.0	1.4~2.0
	MT-II	962875-1	0.5	1.2~1.6
		1703414	1.25	2.2~2.4

TABLE 2. APPLICABLE SINGLE WIRE SEALS

WIRE RANGE (mm ²)	INSULATION DIA. (mm)	COLOR	PART NO.
0.35-0.50	1.2~1.6	RED	964971-1
0.50-0.75	1.4~1.9	GRAY	963530-1
1.0	1.9~2.1	YELLOW	964972-1
1.25	1.9~2.4	ORANGE	2112323-1

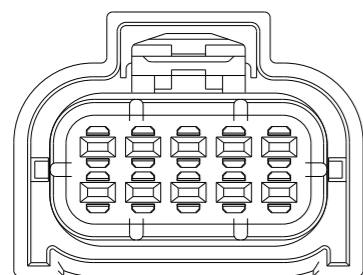
TABLE 3. APPLICABLE SINGLE WIRE SEALS

APPLICABLE ASS'Y P/N	DEAD END PLUG	COLOR	PART NO.
1-1897726-2	DEAD END PLUG	WHITE	963531-1
		NATURAL	1394132-1
2-1897726-3	DEAD END PLUG	NATURAL	1394132-1

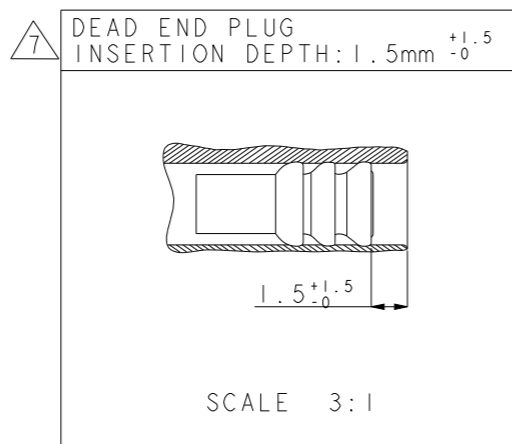
NOTE :

- GENERAL TOLERANCE : ±0.3, ±3.0°
- APPLICABLE REC. CONTACT : SEE TABLE 1.
- APPLICABLE SINGLE WIRE SEAL : SEE TABLE 2.
- THE MATING TAB HSG P/N : 1897725-2, 1-1897725-3, 2310352-2, 1-2310352-2
- CURCUIT NO.
- GM RESTRICTED P/N
- DEAD END PLUG INSERTION DEPTH : 1.5 ±0.5
- APPLICABLE COVER P/N : SEE TABLE 4

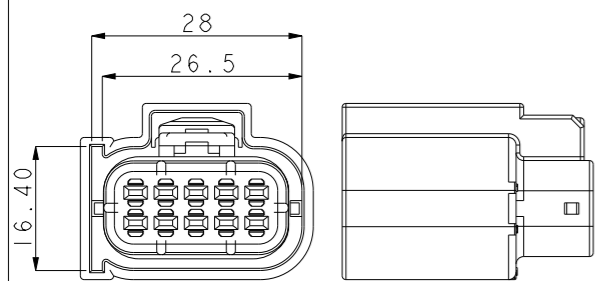
CODING-A (P/N: 1-1897726-2)



Missing dimension see P/N: 1897726-2

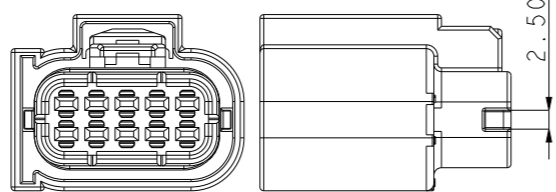


CODING-B (P/N: 2-1897726-3)



Missing dimension see P/N: 1897726-2

CODING-B (P/N: 3-1897726-3)



Missing dimension see P/N: 1897726-2
2-1897726-3

TABLE 4. APPLICABLE COVER HSG

PLUG ASS'Y	MATING COVER HSG
1897726-2	
1-1897726-2	2219417-2
2-1897726-3	
3-1897726-3	2374021-2

THIS DRAWING IS A CONTROLLED DOCUMENT.

DIMENSIONS:	TOLERANCES UNLESS OTHERWISE SPECIFIED:
mm	
0 PLC	±
1 PLC	±0.5
2 PLC	±0.13
3 PLC	±0.013
4 PLC	±0.0001
ANGLES	±
MATERIAL	FINISH

NO.	PART NO.	DESCRIPTION	MATERIAL	COLOR	Q'TY
3	1-2005918-6	INNER SEAL	SILICONE	RED ORANGE	I
	2005918-1			GREEN	I
2	2188707-3	CAVITY PLUG HSG	PBT-GF20	GRAY	I
	1897728-2			PA6-GB20-GF10	BLACK
1	2-1897727-3	REC. HSG	PA66-GF15	GRAY	I
	1-1897727-3			GRAY	I
	1897727-2			BLACK	I

SM LEE
CHK KT LIM
APVD HG CHO
PRODUCT SPEC
APPLICATION SPEC
WEIGHT

TE TE Connectivity

NAME
MCPI.5 SEALED 10P REC. HSG ASS'Y

SIZE A300779 CAGE CODE G-1897726 DRAWING NO. RESTRICTED TO

CUSTOMER DRAWING SCALE 3:2 SHEET 1 OF 1 REV E